

## 5860/5860R

### Remote Fire Annunciator

### Product Installation Document

#### 1 Description

The 5860 (gray) and 5860R (red) are optional 4x20 remote annunciators that can be surface or flush-mounted.

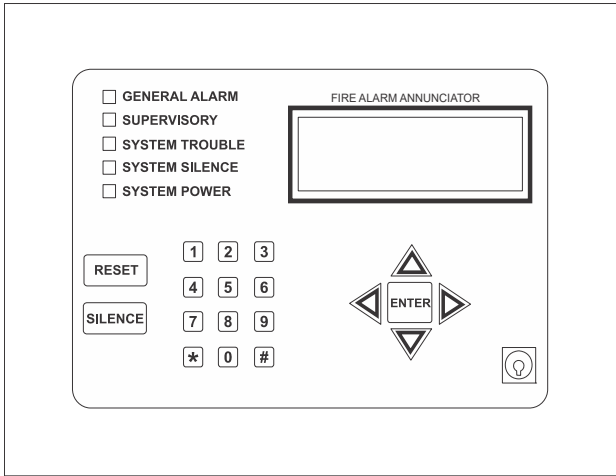


Figure 1 5860/R Remote Annunciator

#### 2 Compatibility

The 5860/R is compatible with Honeywell Silent Knight FACPs. For more information, see the *FACP Installation manual*.

#### 3 Specifications

Parameter		Value
Operating Voltage:		24 VDC
Current	Standby:	58 mA
	Alarm:	68 mA
Operating Temperature:		0° to 49° C (32° to 120° F)

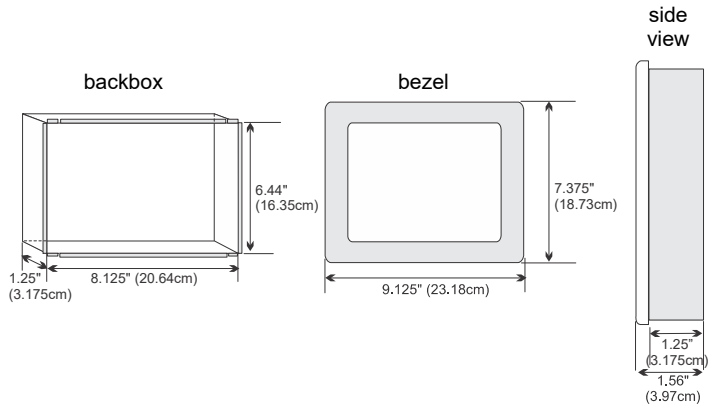


Figure 2 Annunciator Dimensions

#### 4 Installing the 5860/R

5860/R installation involves the following steps:

1. Ensure power is turned off at the panel.
2. Mount the 5860/R in the desired location.
3. Connect the 5860/R to the panel (see Figure 5).
4. Use the DIP switches on the back of the 5860/R to assign an ID number. See the *FACP Manual* for more details.
5. The new 5860/R module must be added to the system through programming. The JumpStart® Auto-programming feature will add the module automatically. Refer to the *FACP Manual* for more information.

#### 5 Mounting

The 5860/R comes from the factory fully assembled. You must disassemble it for mounting. To disassemble the annunciator, use a 5/64" hex wrench to remove the set screws, located on the bottom of the annunciator bezel.

## 5.1 Surface Mounting

The 5860/R can be mounted directly to a surface or can be attached to a single, double, or four-square electrical box. Trim Ring Kit 5860TG (gray) and 5860TR (red) available for use when surface mounting.

1. Drill holes in the surface to match the screw holes on the backbox. Refer to Figure 4.20 for locations.
2. Fit the trim ring over the backbox, if used.
3. Attach the backbox to the wall using screws provided.

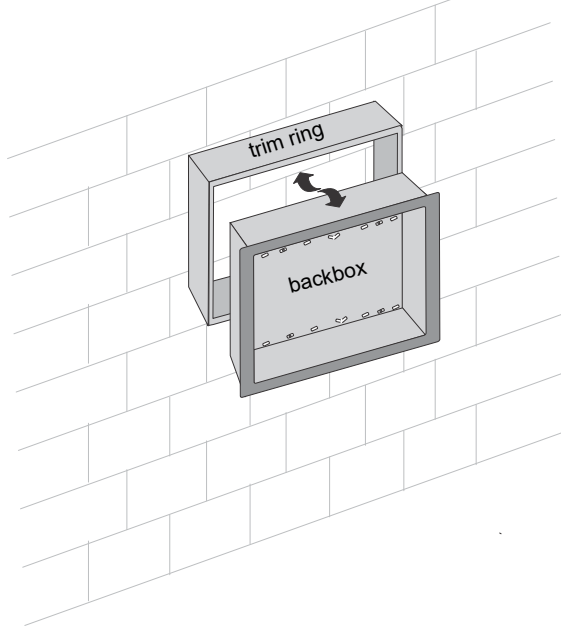


Figure 3 Trim Ring for Surface-mounting

## 5.2 Flush-Mounting

1. Cut a hole in the sheet rock to the following dimensions: 8.25" W x 6.625" H. If an electrical box is used, the box must be 1.375" back from face of wall to accommodate the annunciator.
2. Remove knockout holes as needed for wires.
3. Fit the annunciator backbox into the hole and stabilize with mounting wires. Angle the mounting wires into the first hole past the sheet rock. Secure the wires behind the screws as shown in Figure 4. When all four wires are in place, the backbox should fit snugly into the hole in the sheetrock.
4. After the annunciator wiring to the panel has been completed (refer to Figure 4.22), replace the electronic assembly in the back box. Place the bezel over the back box and tighten the set screws on the bezel.

Attach second set of wires to top of backbox.

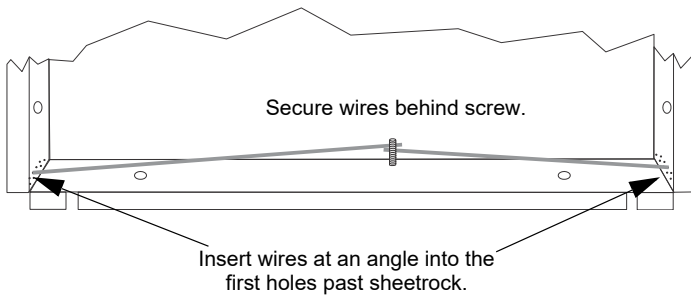


Figure 4 Flush Mounting the Backbox

### 5.2.1 Flush-Mounting with an Electrical Box

The 5860/R annunciator can be used with the following types of electrical boxes: 4S, single-gang, and double-gang.

If an electrical box is used, the box must be 1.375" back from the face of the wall to accommodate the annunciator. Studs used with an electrical box must be 2x4" (or larger).

## 6 Wiring Connections

Wire the 5860/R to the FACP as shown below.

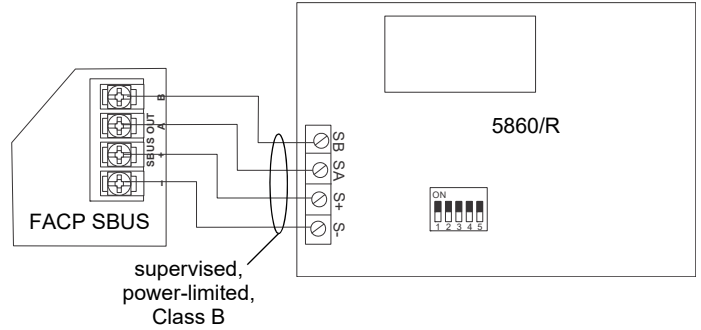


Figure 5 SBUS Connections