

HUSK-20 LATCHING HOLD-UP SWITCH

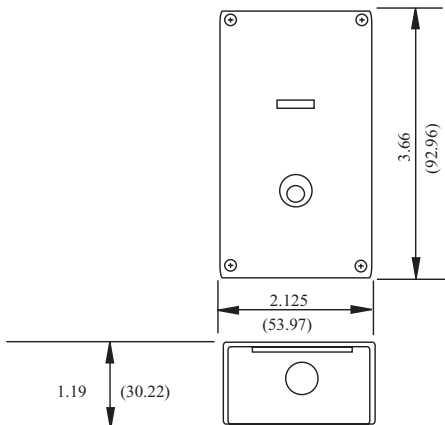


- Form C contact
- Metal housing
- Key reset
- Silent operation
- Status window indicator (armed, alarmed)
- Mechanical operation
- Terminals for easy wiring

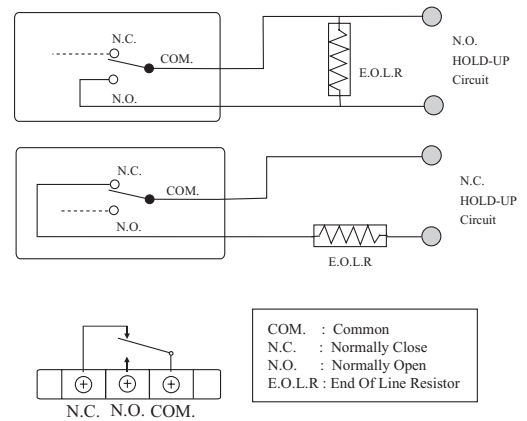
The HUSK-20 is a mechanical hold-up switch designed for silent operation. It is activated by using one finger to press down on the switch. When activated, the switch mechanism locks, insuring an immediate alarm signal. A status window designed on top of the hold-up switch indicates its condition: RED (alarmed) and BLUE (armed). To reset the HUSK-20, use the key provided. The housing is made of metal and is painted gray.

The hold-up switch sends a signal to a dedicated 24 hour hold-up circuit of a burglar control panel. That signal in turn will send the immediate signal to police or central station.

Dimensions



Typical Wiring



Specifications

Model Number	Stock Number	Contact Type	Contact Rating			Screw Terminals Capacity	Operating Temperature Range
			125V DC	30V DC	125V AC		
HUSK-20	4370038	N.O./N.C.	0.4A	5A	5A	AWG #18	-4°F - 176°F (-20°C - 80°C)
KEY	4370039						