



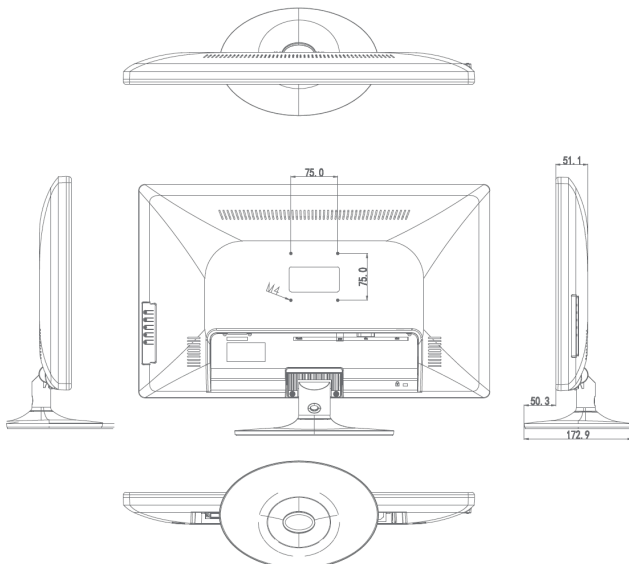
IMHD-24HDLOOP

24" Full HD 1920 x 1080 LED Monitor, HDMI, VGA, BNC HD Inputs (TVI/AHD/CVI) BNC Loop Out

Features

- Suitable for All Video Surveillance and Security applications
- Full High Definition Quality: 1920 x1080
- Bright LED Illuminated Panel
- Inputs: HDMI, VGA, HD BNC Up to 8mp
- Outputs: HD BNC (TVI/AHD/CVI/CVBS)
- Built-in Speakers
- VESA Mount 100x100

Unit:mm



Ordering Information

IMHD-24HDLOOP: 24" HDMI Monitor

Model	IMHD-24HDLOOP
Screen Size	24"
Active Display Area (mm)	521.28mm(W)×293.22mm(H)
Display Mode	16:9
LED Type	TFT-LED
Resolution	1920 × 1080
Display Color	16.7M
Pixel Pitch (mm)	0.248(H)×0.248(V)
Brightness (nits)	350cd/m ²
Contrast Ratio	1000:1
Viewing Angle	178(H) /178(V)
Response Time	5ms
Backlight	LED
Speakers	8 Ω 2 Watt/channel
Input & Output	
HDMI 2.0	1
VGA	1
BNC Output	1
BNC Output Cascading	HD Analog, 2 Monitors Max CVBS, 3 Monitors Max
BNC Input	1
TVI/CVI/AHD/CVBS Resolution	TVI: 8MP/5MP/4MP/2MP up to 300m AHD: 8MP/5MP/4MP/2MP up to 500m CVI: 4MP/2MP up to 500m
Video	
Color System	PAL/NTSC/SECAM
OSD Control	Auto adjust, Brightness, Contrast, Hori. / Vert. Position, Clock, phase, Color, Language
3D comb filter	Yes
Video Noise Reduction	Yes
Power & Mount way	
Power	AC100 ~ 240V, 50/60Hz
Working Temperature	-22°F ~ 185°F (-30°C ~ 85°C)
Power Consumption	25W
Net Weight	6.6 lbs (3kg)
Gross Weight	8.8 lbs (4kg)
Menu	Chinese/English(other languages supported)
Mounting	Stand mount, VESA mount 100x100
MTBF	50000Hours
Base/Stand included	Yes
Certifications	CE , FCC and UL certificates
Dimension size	21.9 x 13.5 x 1.9 in (555*343*49mm)
Accessories	
Included Accessories	Industrial PSU,Screw, Cable holder, Quick start guide

