



INVID-UNIVERSALJB-1& INVID-UNIVERSALJB-2:

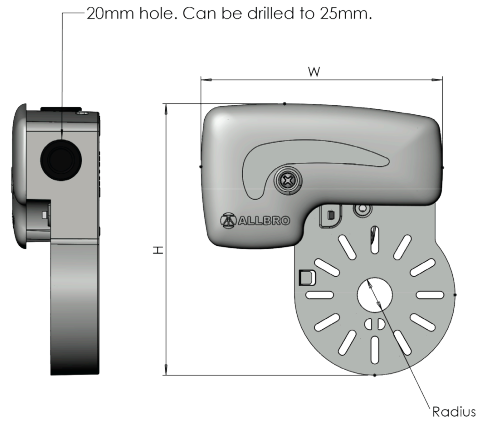
Universal wall mount for cameras up to 3.54”(90mm) & 4.33” (110mm).
Multiple knockout locations for expanded compatibility.
Wire Management Box with gaskets. Easy Mounting.

| | |
|-------------------------------------|----------------------------------|
| Material | DMC (Dough Moulding Compound) |
| Color | White |
| Operating Temperature | -58°F ~ 392°F(-50° C ~ + 200° C) |
| Glow Wire Capability / Flammability | 960° / UL94 V0 |
| Expected UV Life (Direct Exposure) | 25 years + |
| IP Level | IP66 |
| Working Humidity | 10% ~ 90% |



Step 1: Mount the camera on the Camera-Den™ whilst safely on the ground

Step 2: Mount bracket on the wall.
(NB 6mm Screw/Plug Not Included)
NOTE: RECOMMENDED TORQUE FOR LID & MOUNTING BRACKET SCREWS - 1,5Nm -> 2,5Nm



Step 4: Connect camera wires and close the unit with the cap. The Camera-Den is IP 66 and has a UV Life of 25 years

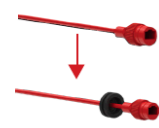
Step 3: Hook unit on the bracket and test/adjust the camera with a tester. All Connections accessible remain.

Step 1 continued:

1 Place camera onto the Camera-Den™. Pull the camera cables through the hole in the middle of the base.

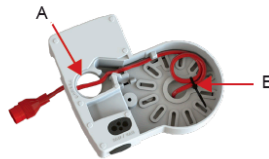


2 Place Allbro stretch grommet over the camera fitting.



Allbro grommet stretches over most camera fittings

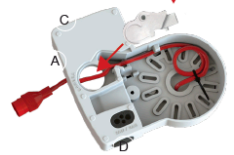
3 Cable tie the cable (A) and feed the rest of the fitting through opening (B).



4 Place grommet back to secure cable in place and protect the cabling from water seeping in.



5 Close the opening in STEP 3 with cap provided.



⚠ Please Note:

* Outer blank plugs (A, B & C) can be removed where applicable for cable glands of conduit fittings. These blanks are NOT intended for use as cable grommets.



Diameter size up to 90mm

Diameter size up to 110mm

Ordering Information

INVID-UNIVERSALJB-1: Universal Junction Box, 90mm

INVID-UNIVERSALJB-2: Universal Junction Box, 110mm