

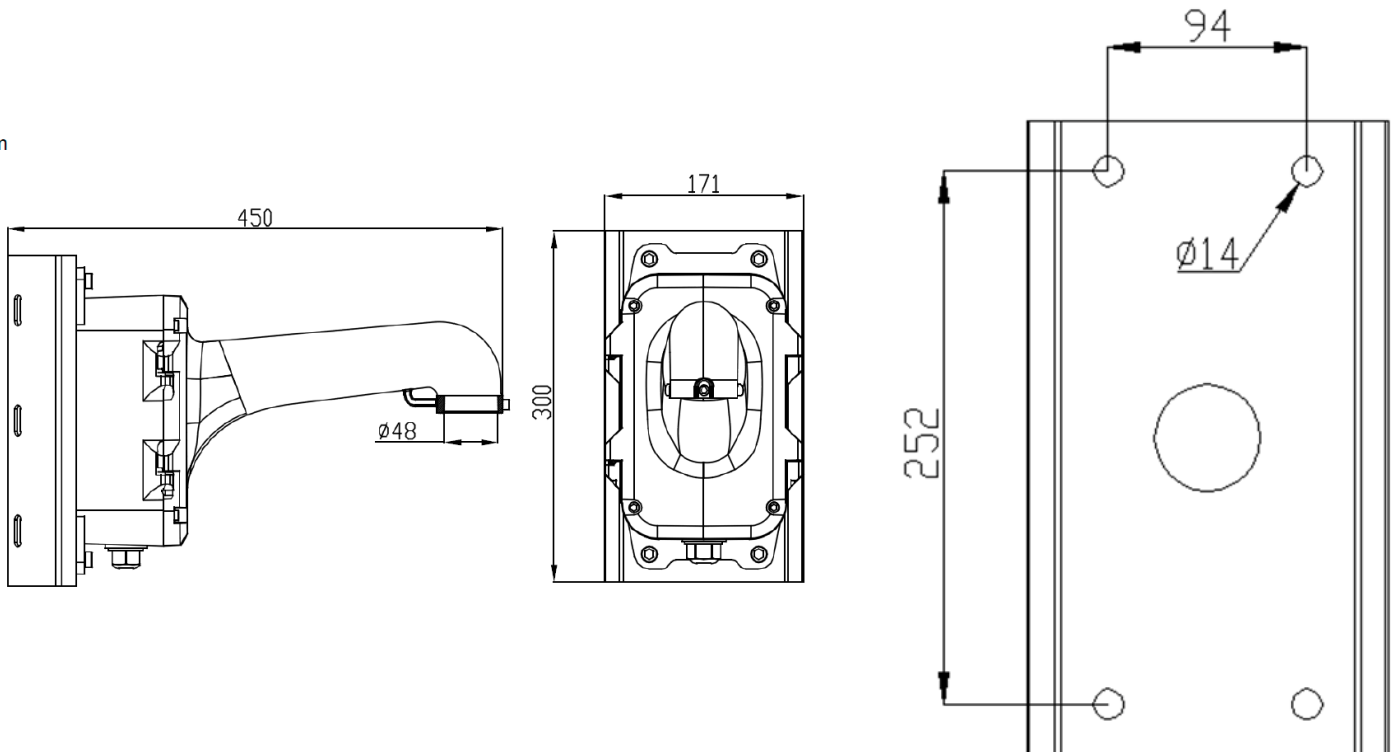


IPM-PTZWALLJBPOLE

Pole mount bracket for PTZ camera with junction box included

Model	IPM-PTZWALLJBPOLE
Material	Aluminum alloy and steel
Color	White
Min. Packaging Quantity	1
Packing Size	17.7 x 11.8 x 18.8 in (450x300x478mm)
Dimension	10.1 x 11.8 x 6.7in (256x300x171mm)
Net Weight	11.2 lbs (5.1kgkg)
Load Bearing	The wall must be strong enough to withstand at least 3 times the weight of the speed dome and the bracket.
Working Temperature	-40°F~+140°F (-40°C~+60°C)
Working Humidity	10% ~ 90%

Unit: mm



Ordering Information

IPM-PTZWALLJBPOLE: Pole mount bracket with junction box included