

# Illustra

## Pro Gen4 Multisensor Camera

### Change Your View of Camera Surveillance

4 Repositionable lenses cover you from every angle



#### 4 Cameras in One

4 individually repositionable sensors with motorized varifocal lenses in a single housing



#### Edge Analytics

Deep learning AI built into each camera with object classification, rules and alerts



#### High-Quality Images

Available in 20MP and 32MP resolution plus superior WDR, defog and integrated 30m infrared vision



#### Cost Effective

1 camera license and 1 network cable for connectivity to the video management system (VMS)



#### Designed for Easy Install

Built-in hinge holds camera during install process



#### Cyber Secure

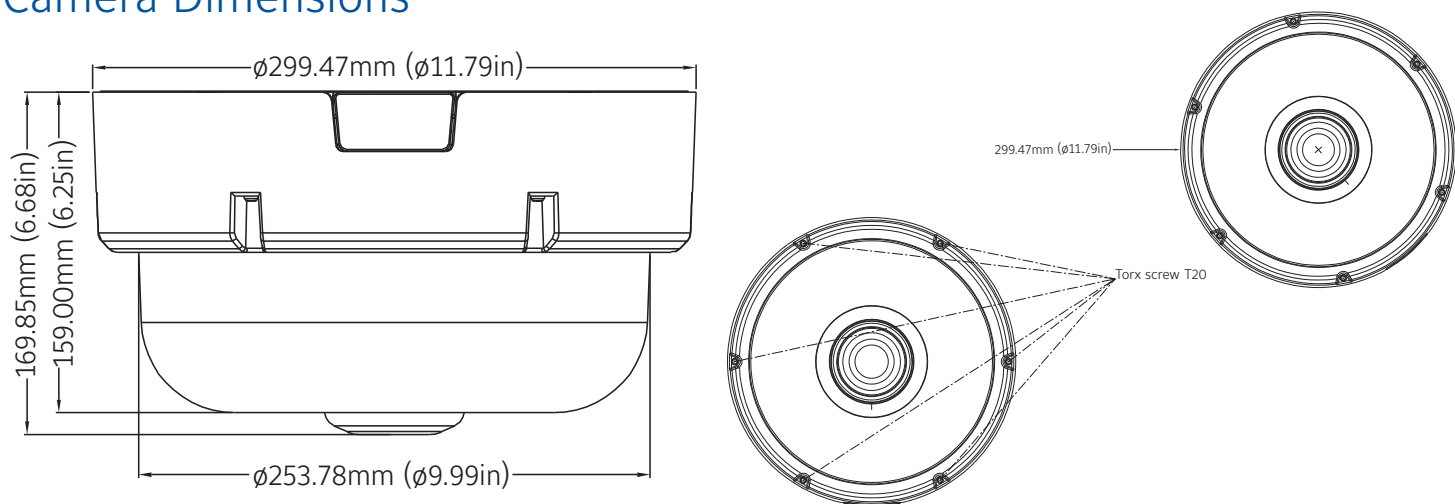
NDAA compliant, exceeds JCI security requirements

# Specifications

Operational	20MP (4x 5MP)	32MP (4x 8MP)
Video Compression	H.264 / H.265 / MJPEG / IntelliZip	
Max Frame Rate	5MP @ 30fps, 2MP @ 60fps	8MP @ 30fps, 2MP @ 60fps
Resolution & Aspect Ratio	2560x1920 (5MP) 4:3 2560x1444 (4MP) 16:9 1920x1080 (1080p) 16:9 1664x936 (HD+) 16:9 1280x720 (720p) 16:9 1024x576 (PAL+) 16:9 800x600 (SVGA) 4:3 816x464 156:9 640x360 (nHD) 16:9 480x360 4:3 480x272 16:9	3840x2160 (4K) 16:9 3264x1840 (6MP) 16:9 2688x1520 (4MP) 16:9 1920x1080 (1080p) 16:9 1664x936 (HD+) 16:9 1280x720 (720p) 16:9 1024x576 (PAL+) 16:9 960x544 (qHD) 16:9 816x464 16:9 640x360 (nHD) 16:9 480x272 16:9
Imager	Sony IMX335 1/2.8" CMOS image sensor	Sony IMX334 1/1.8" CMOS image sensor
Image Orientation Settings	None, Mirror, Flip, Flip and Mirror, Corridor (rotate 90° right or left)	
Video Streams	Quad Streaming (per sensor)	
Lens Type	Motorized Varifocal and Focus, P-Iris	
Focus Control	One-Touch Auto Focus or Remote Adjustment	
Focal Length	2.7-13.5mm	3.6 -11mm
Sensor Module Control	Pan, Tilt & Rotate per sensor module	
Field of View Wide (H/V)	103°/74°	95°/53°
Field of View Telephoto (H/V)	33°/25°	49°/28°
Aperture	f/1.4 (W)	f/1.5 (W)
	f/2.8 (T)	f/2.8 (T)
Minimum Illumination		
Color, 1/4s, 30 IRE, AGC	0.11 Lux	0.2 Lux
B/W, 1/4s, 30 IRE, AGC	0.06 Lux	0.11 Lux
W/IR	0.0 Lux	0.0 Lux
IR Distance	30m (98ft); Not applicable in non-IR model)	
Dynamic Range	True WDR 120 dB Technologies	
SmartWDR	Supported	
Day/Night	True Day/Night CF Removal	
Shutter Speed	≥ 1/10,000 to 1/4 s	
ONVIF-Compliant	Profile S (Future release)	
Object Classification	Classes: Person, Bicycle, Bus, Car, Motorbike, Train, Truck, Any Class	
	Rules: Object Detected, Perimeter, Linger, Dwell, Abandoned / Removed, Enter, Exit, Crowd, Queue	
Tamper AI Detection	Blackout, whiteout, scene change (FOV tamper)	
Motion Detection Zones	3 per Sensor	
Face Detection	Yes	
Blur Detection	Yes	
Privacy Zones	8 Per Sensor	
Alarm Input/Output	2 input, 2 output	
Audio	Bi-directional; 1 input, 1 output	
Simultaneous Users	10	
Supported Languages	Arabic, Chinese (Simplified), Chinese (Traditional), Czech, Danish, English (default), French, German, Hungarian, Italian, Japanese, Korean, Netherlands, Polish, Portuguese, Russian, Spanish, Swedish, Turkish	

Network	
Ethernet Interface	10/100/1000 BaseT, RJ-45, Auto-Negotiation
Supported Protocols	TCP/IP, IPv4, IPv6, TCP, UDP, HTTP, FTP, DHCP, WS-Discovery, DNS, DDNS, RTP, TLS, RTSP, ICMP, Unicast, Multicast, NTP, SMTP, WS-Security, SNMP, CIDS, FSTP, UPnP™, SIP
Configuration Management	
Web Browsers	Microsoft Edge, Firefox, Safari, Chrome
Security	Secure Boot, Enhanced Security Mode (forces complex passwords, HTTPS and disables discovery); TLS, 1.2 (256 bit cipher minimum); Security Overview Page (status and configuration); RTSP Authentication; IEEE 802.1X Client; Remote Accessible Audit logs; Role-Based Access Control, Video Encryption for local storage and streaming.
Onboard Storage	
Card Support	Built-in Quad Micro SDXC slot up to 2TB per slot; Card not included
Pre-Alarm Recording	Yes
Recording Format	MP4 File Format
Recording Trigger	Dry Contact Alarms, Motion Detection, Face Detection, AI Object Classification, Periodic Events
TrickleStor	Yes, encrypted storage
Electrical	
Power	Power over Ethernet (PoE++) IEEE 802.3bt Type 4 Class 8; 24 VAC, Max Draw: PoE 71.3W, 24 VAC 71.3W
Dual Power	Yes
Physical	
Dimensions (RxH)	ø299mm x 169mm (ø11.8in x 6.7in)
Weight	Manual non-IR: 5.03 kg (11.08 lbs): Manual IR: 5.07 kg (11.17 lbs)
Housing Color	Signal White - RAL 9003
Operating Temperature	-40°C (-40°F) to +55° C (131°F)
Humidity	Up to 90% Non-Condensing
Vandal Resistant	IK10
Outdoor Rating	IP66
Regulatory	
Safety	EN60950-1; UL60950-1; IEC 60950-1; CSA 22.2 No. 60950
Emissions	FCC Part 15 Class A; EN55032 Class A; AS/NZS CISPR 32 Class A; ICES-003/NMB-003 Class A
Immunity	EN55024; EN50130-3
Environment	RoHS; WEEE

## Camera Dimensions



IL1371-DS-202207-R01-HS-EN I Pro Gen4 Multisensor Camera

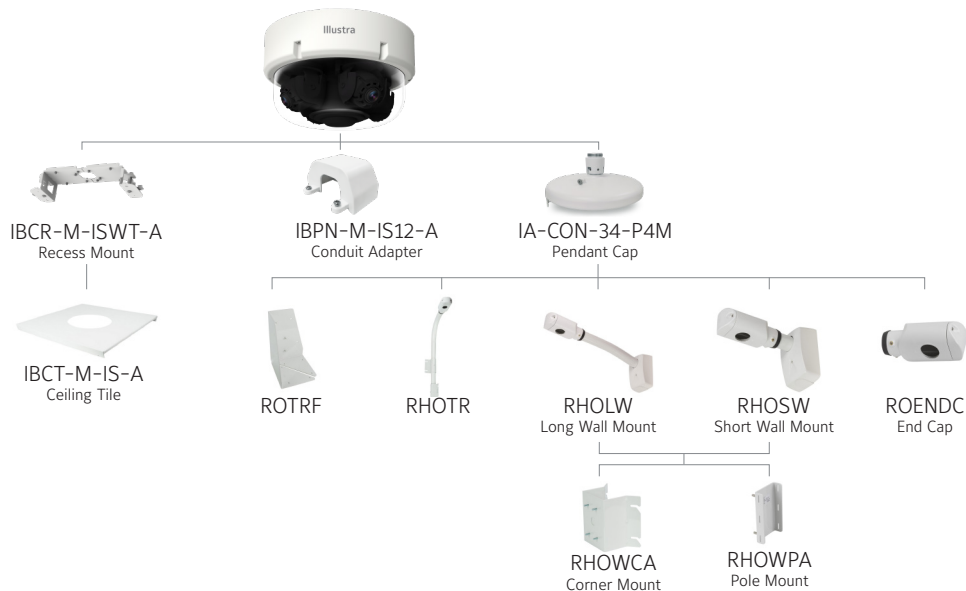
# Ordering Information

Model Number	Description
IPS20-M12-OIA4	Illustra Pro Gen4 (5MP x4) 20MP Multisensor, 2.7-13.5mm, AI, TDN w/IR, TWDR, IP66, IK10, Quad SDXC
IPS32-M13-OIA4	Illustra Pro Gen4 (8MP x4) 32MP Multisensor, 3.6-11mm, AI, TDN w/IR, TWDR, IP66, IK10, Quad SDXC
IPS20-M12-OTA4	Illustra Pro Gen4 (5MP x4) 20MP Multisensor, 2.7-13.5mm, AI, TDN, TWDR, IP66, IK10, Quad SDXC
IPS32-M13-OTA4	Illustra Pro Gen4 (8MP x4) 32MP Multisensor, 3.6-11mm, AI, TDN, TWDR, IP66, IK10, Quad SDXC

## Accessories

Model Number	Description
IBPN-M-IS12-A	Illustra Pro Gen4 Multisensor Pendant Cap
IBCR-M-ISWT-A	Illustra Pro Gen4 Multisensor Recessed Ceiling Mount
IA-CON-34-P4M	Illustra Pro Gen4 Multisensor Conduit Adapter
IBCT-M-IS-A	Illustra Pro Gen4 Multisensor Ceiling Tile
RHOLW	Wall Mount, 1 1/2" NPT, long (23") (use with IBPN-M-IS12-A), white
RHOSW	Wall Mount, 1 1/2" NPT, short (11") (use with IBPN-M-IS12-A), white
ROENDC	End cap for RHOxW mounts
RHOTR	Over roof mount, 1 1/2" NPT, white
ROTRF	Floor Adapter (use with RHOTR)
RHOWCA	Corner Adapter (use with RHOxW and IBPN-M-IS12-A)
RHOWPA	Pole Adapter (use with RHOxW and IBPN-M-IS12-A)
IA-POE-90-U00	90w PoE Injector
IA-POE-90-U00-EU	90w PoE Injector, EU and UK power plug
IA-KIT-WD-UUA	Illustra WiFi Dongle Kit

## Accessory Chart



IL1378-DS-202209-R02-HS-EN | Pro Gen4 Multisensor Camera