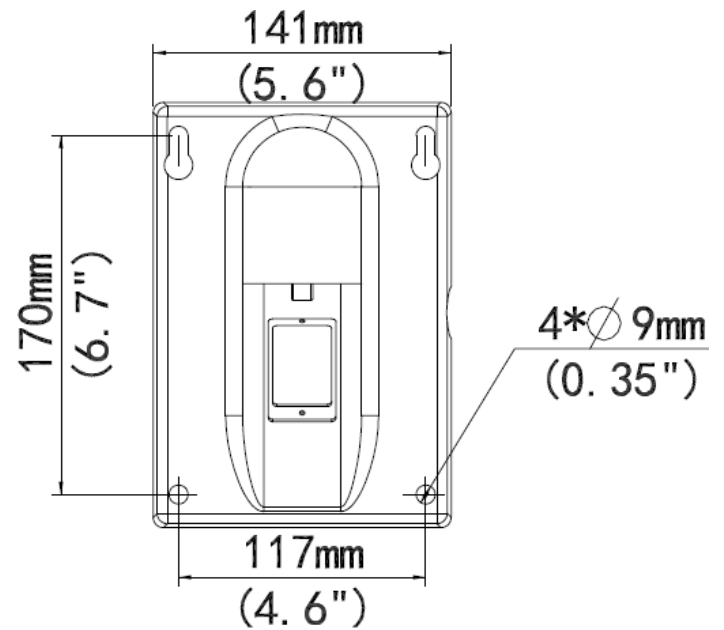
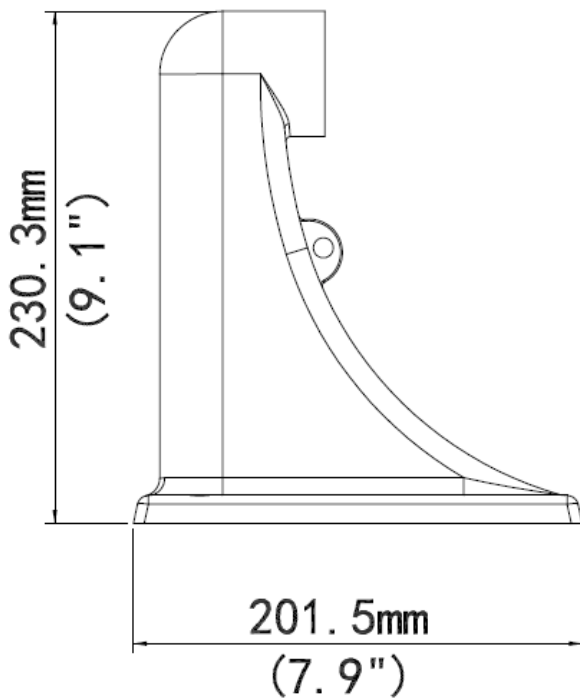




IVM-PTZWALL1
Vision Wall Mount for PTZs

Mount	IVM-PTZWALL1
Application	Indoor or outdoor, wall installation for PTZ dome camera
Dimensions (L x W x H)	9.1"x5.6"x7.9" (230.3mmx141mmx201.5mm)
Weight	1.74lb (0.79kg)
Material	Aluminum alloy



Ordering Information
IVM-PTZWALL1: Wall Mount