

IX-MV7-B, IX-MV7-W Hands-free Touchscreen Master Station for the IX Series



DESCRIPTION

The IX-MV7 is an IP hands-free master station with a 7" touchscreen. It can be wall or desk mounted (desk stand included). It connects to a network using Cat-5e/6 cable and is SIP compliant. Audio and video of active conversations can be captured and stored on a microSD™ card. Each master station has an address book of 500 stations and can monitor a single station or scan monitor several stations within the address book. The master station offers line supervision and a scheduled device check of stations in its address book. It has the ability to page all units or groups of units and offers bell scheduling with 50 events per day. The master station has eight speed dial buttons that can be used to call, page, monitor, or control a contact closure. It has a built-in camera with privacy shutter. The master station can view a selected intercom's camera as well as an associated ONVIF® Profile S camera by using the picture-in-picture function. It has the ability to release the door that is associated with the station that it is communicating with. Stations can be called by using the directory or by direct dialing the station's number.

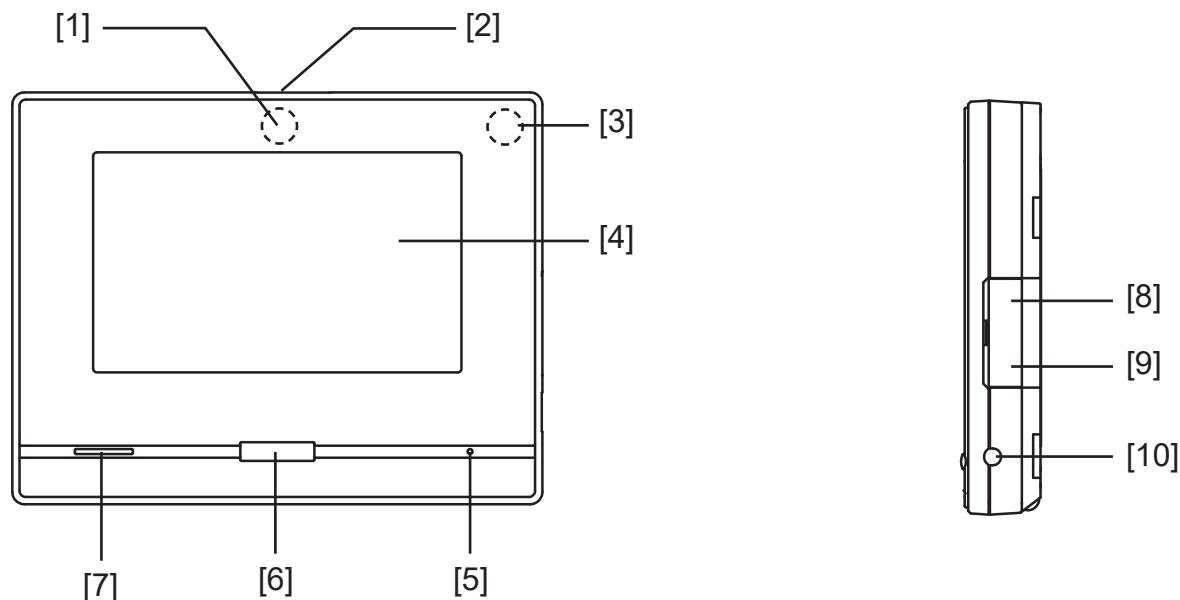
FEATURES

- 7" TFT touchscreen
- Fixed video camera with privacy shutter
- SIP compliant
- 500 station address book
- ONVIF® Profile S compliant
- Multi-angled desk stand (30°, 45°, 60°)
- Slot for microSD™ card
- 802.3af PoE compliant
- Two contact outputs, four trigger inputs
- 8Ω .5W speaker output
- 600Ω audio input

IX-MV7-B, IX-MV7-W

Hands-free Touchscreen Master Station for the IX Series

FEATURE CALL-OUT:



FEATURE CALL-OUT DEFINITIONS

- [1] Camera
- [2] Privacy mask cover (on top)
- [3] Status indicator light (orange/blue)
- [4] 7" Touchscreen (LCD)
- [5] Microphone
- [6] Home button
- [7] Speaker
- [8] Reset button (under door)
- [9] Slot for microSD card (under door)
- [10] 3.5mm stereo mini jack

SPECIFICATIONS

- Power Source:** PoE (IEEE 802.3af class 0)
- Power Draw:** 4.32W
- Camera:** 1/3" CMOS 480p
- Min. illumination:** 5 lux
- Audio Codec:** G.711 (μ -law, A-law), G.722
- Video Codec:** H.264/AVC, Motion JPEG
- Protocols:** IPv4, IPv6, TCP, UDP, SIP, HTTP, HTTPS, RTSP, RTP, RTCP, IGMP, MLD, SMTP, SFTP, DHCP, NTP, DNS
- Port Security:** IEEE 802.1X
- UL Listed:** UL 62368-1
cUL 62368-1
- Operating Temp:** 32° ~ 104°F (0° ~ 40°C)
- Dimensions:** 6-3/4" H x 8-11/16" W x 1-1/4" D