



### DESCRIPTION

The IX-MV7-HW-JP is an IP video master station with a privacy handset and a 7" color touchscreen. The station is manufactured in Japan, meeting TAA compliance. It can be wall or desk mounted (desk stand included). The IX-MV7-HW-JP connects to a network using Cat-5e/6 cable and is SIP 2.0 compliant. Audio and video of active conversations can be captured and stored on a microSD™ card. Each master station has an address book of 500 stations and can monitor a single station or scan monitor stations within the address book. The master station offers line supervision and a scheduled device check of stations in its address book. It has the ability to page all stations or groups of stations and offers bell scheduling with up to 50 recurring events per day.

The master station has eight programmable speed dial buttons that can be used to call, page, monitor, or control a contact closure. It has a built-in camera with privacy shutter. The master station can view any intercom's camera, as well as an associated ONVIF® Profile S camera, by using the picture-in-picture function. It has the ability to release the door associated with the station that is in communication. Stations can be called from the directory or by directly dialing the station's number.

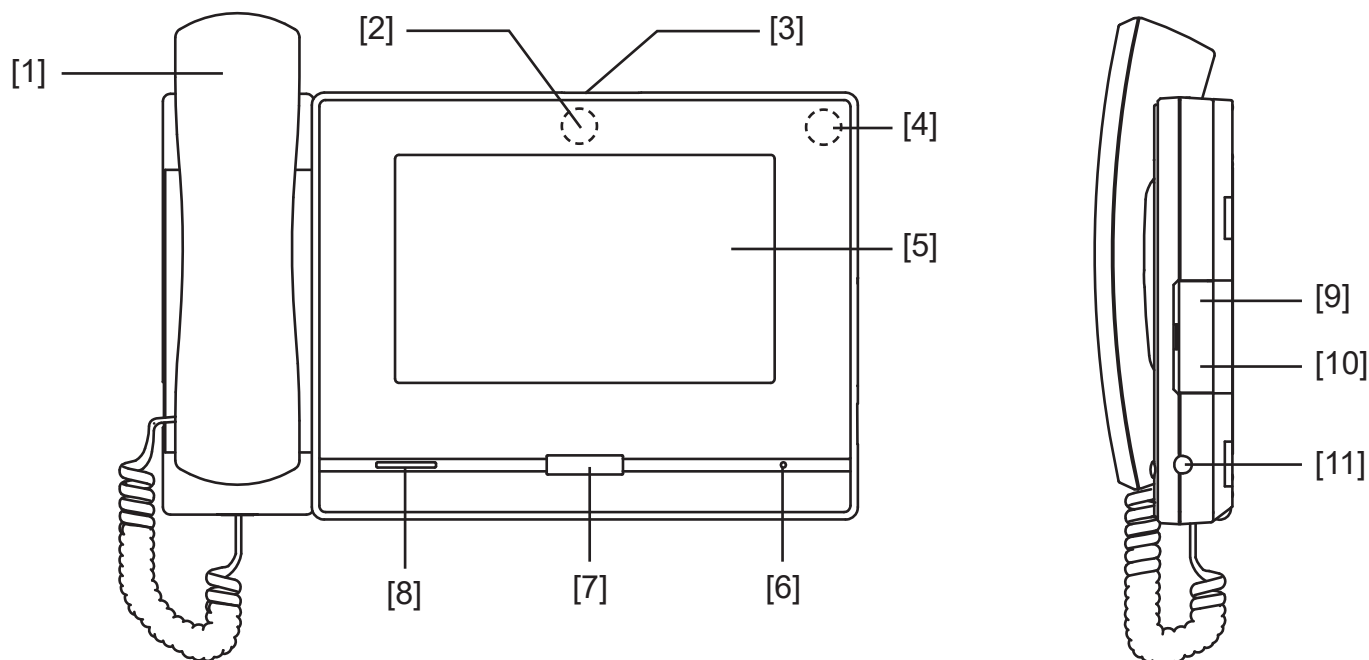
### FEATURES

- Trade Agreements Act (TAA) compliant
- Manufactured in Japan
- 7" TFT color LCD touchscreen
- Fixed camera with privacy shutter
- SIP 2.0 compliant
- 500 station address book
- ONVIF® Profile S compliant
- Multi-angled desk stand (30°, 45°, 60°)
- Slot for microSD™ card (not provided by Aiphone)
- PoE (802.3af)
- Two contact outputs, four trigger inputs

# IX-MV7-HW-JP

TAA Compliant IP Master Station

## FEATURE CALL-OUT:



## FEATURE CALL-OUT DEFINITIONS

- [1] Handset
- [2] Camera
- [3] Privacy shutter (on top)
- [4] Status indicator light (orange/blue)
- [5] 7" LCD touchscreen
- [6] Microphone
- [7] Home button
- [8] Speaker
- [9] Reset button (under door)
- [10] Slot for microSD™ card (under door)
- [11] 3.5mm stereo mini jack

## SPECIFICATIONS

Power Source:	PoE (IEEE 802.3af class 0)
Power Draw:	4.32W
Camera:	1/3" CMOS 720p
Min. Illumination:	5 lux
Audio Codec:	G.711 (μ-law, A law), G.722
Video Codec:	H.264/AVC, motion JPEG
Protocols:	IPv4, IPv6, TCP, UDP, SIP, HTTP, HTTPS, RTSP, RTP, RTCP, IGMP, MLD, SMTP, FTP, DHCP, NTP
Port Security:	IEEE 802.1X
Operating Temp:	32° ~ 104°F (0° ~ 40°C)
Dimensions:	8-1/16" H x 11" W x 2-3/16" D