



DESCRIPTION

The IXW-MA-SOFT is a multi-purpose adaptor with licenses for 1, 5 or 10 IX-SOFT installations.

The IXW-MA-SOFT comes with 4 contact inputs and 10 relay outputs. The inputs on the adaptor can be used to send a command to a specific station to perform a task. The relays on the adaptor can be associated to a specific station and programmed to change state when relay output 1 or 2 on the associated station changes state. This is beneficial when door release contacts need to be located inside the facility at a secure location, instead of at the door station.

The IXW-MA-SOFT is surface mounted to a 3 or 4-gang box or ring. Wire terminations are made via option connectors supplied with the unit. Each connecting wire will need to be secured with a wire nut or crimp connector.

The IXW-MA-SOFT is a PoE device, and can be programmed via IX Support Tool 5.0 or later.

IXW-MA-SOFT includes 1 IX-SOFT license.
IXW-MA-SOFT-5 includes 5 IX-SOFT licenses.
IXW-MA-SOFT-10 includes 10 IX-SOFT licenses.

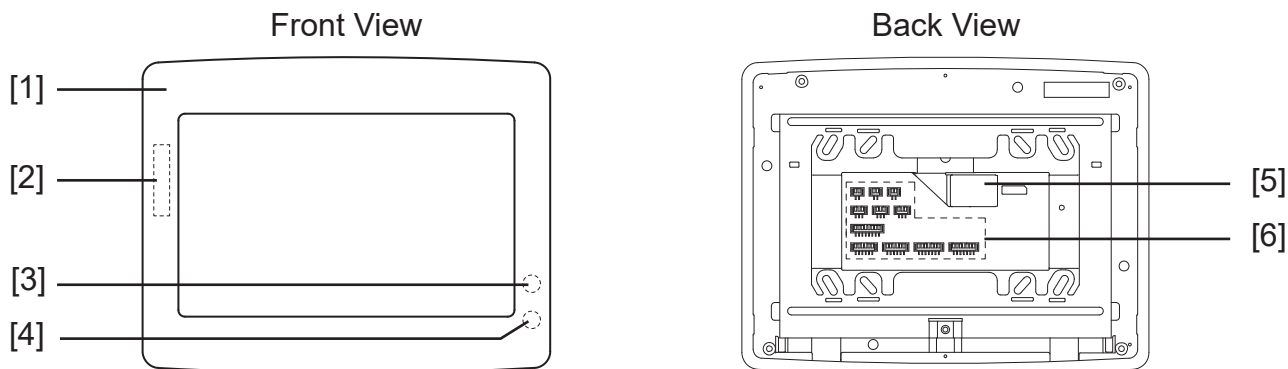
FEATURES

- Supports 1, 5 or 10 IX-SOFT licenses
- PoE powered (802.3af)
- 4 contact inputs
- 10 relay outputs:
 - Outputs 1-4 are Form C
 - Outputs 5-10 are Form A
- 24V AC/DC 500mA relay contact rating
- Programmed via IX Support Tool

IXW-MA-SOFT (-5,-10)

Multi-Purpose Adaptor with IX-SOFT License for the IX Series

FEATURE CALL-OUT



FEATURE CALL-OUT DEFINITIONS

- [1] Panel
- [2] MAC address (under panel)
- [3] Reset button (under panel)
- [4] Status indicator (under panel, orange/blue)
- [5] LAN port
- [6] Connection terminals

SPECIFICATIONS

Power Source:	PoE (IEEE 802.3af class 0)
Power Draw:	6.48 Watts (Max)
Relay Output:	
Relays 1-4	Form C 24V AC/DC, 500mA
Relays 5-10	Form A 24V AC/DC, 500mA
LAN:	Ethernet (10BASE-T, 100BASE-TX)
Protocols:	IPv4, IPv6, TCP, UDP, HTTP, HTTPS, SMTP, SFTP, DHCP, NTP, DNS
Encryption:	TLS1.2
Port Security:	IEEE 802.1X
Operating Temp:	14° ~ 122°F (-10° ~ 50°C)
Dimensions:	7-1/2" H x 9-5/8" W x 13/16" D