

DESCRIPTION

The LEF-3L is a selective calling open voice style master station with selective door release capability. The LEF-3L has a maximum capacity of four stations, including itself. The system can be designed to meet a wide variety of needs, including any combination of master and sub stations up to its maximum capacity.

Incoming calls from a sub or door station are annunciated with a momentary electronic mono-tone and an LED, remaining lit for approximately 20 seconds. Communication at the calling master is press-to-talk, release-to-listen. The person at the receiving station speaks hands-free. The person at the master station can selectively call and talk with a person at any other sub or master station in the system.

An RY-PA relay is required for each external device. External devices can be door release mechanisms, or any other device that can be activated with a relay. The RY-PA has a "normally open" output, but can be modified to "normally closed".

Master stations can be wall or desk mounted. Sub stations are available in surface or flush mount styles. Outdoor stations are available in surface or flush mount styles.

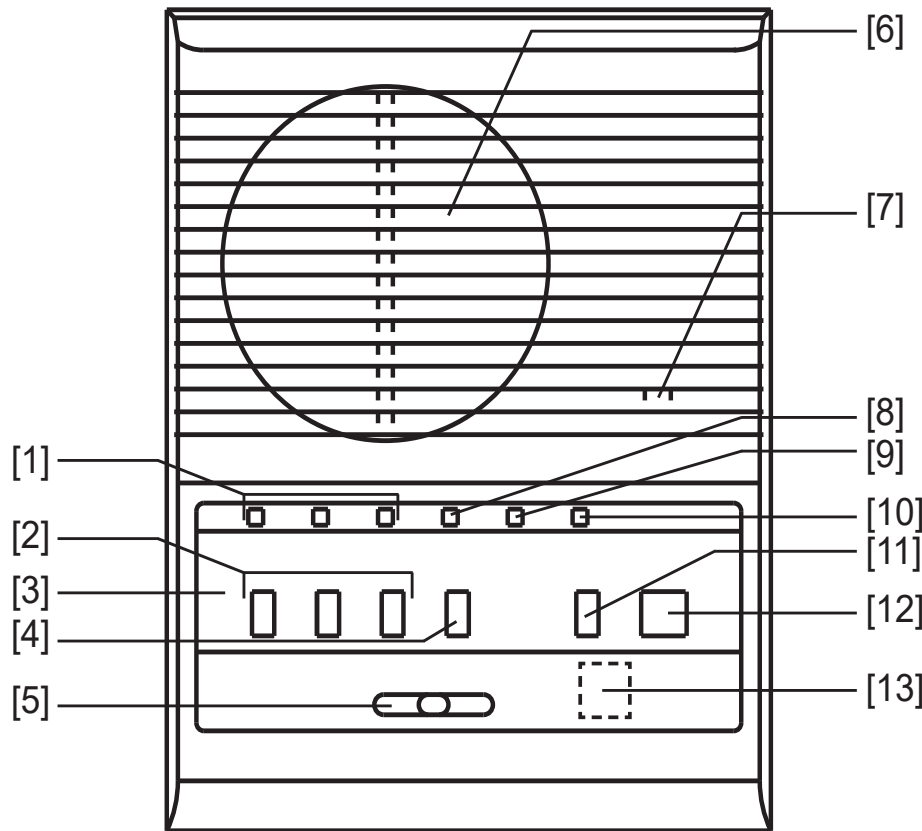
FEATURES

- Up to 4 stations
- Flexible system, mix any 4 master and submaster stations
- LED and tone to announce incoming calls
- Push-to-talk to calling master station
- Hands-free communication at responding station
- Large variety of sub stations, surface, or flush mount
- Selective monitoring
- Selective door release
- Voice and call tone volume controls

LEF-3L

Analog 3-Channel Master Station with Selective Door Release

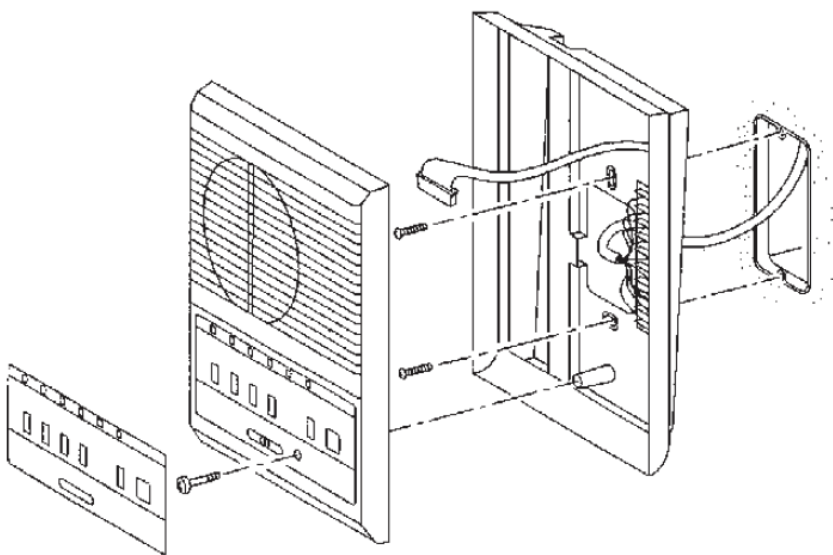
FEATURE CALL-OUT



FEATURE LEGEND

- [1] Sub call-in LED (channels 1-3)
- [2] Station selector button (channels 1-3)
- [3] Directory card
- [4] Off button
- [5] Voice volume control
- [6] Speaker
- [7] Microphone
- [8] Station selected LED
- [9] In-use LED
- [10] Door Release LED
- [11] Door Release button
- [12] Talk button
- [13] Call tone volume control (hidden)

MOUNTING & INSTALLATION



TECHNICAL SPECIFICATIONS

Power Source:	12V DC, 300mA per station. Use PS-1208UL, or PS-1225UL for systems with BG-10C.
Output:	800mW @ 20 Ω (reception) 500mW @ 20 Ω (transmission)
Communication:	Press-to-talk, release-to-listen at master station. Hands-free at responding station.
Talk Channel:	1 talkpath. Occupied LED when in use.
Wiring:	5 common wires (E, R, Y, +, -), plus 1 individual wire per station, looped. Sub stations: 2 wires homerun in single master systems, or 2 common wires (E, -), plus 1 individual wire per station, looped or homerun.
Relay Contact:	RY-PA, normally open or normally closed output, 1A, up to 110V AC or 24V DC.
Capacity:	Up to 4 stations, intermixable
Wiring Distance:	650' w/22AWG; 1600' w/18AWG
Speaker Sensitivity:	40dB
Total Harmonic Distortion:	Less than 5% at rated output power
Signal to Noise Ratio	60dB
Frequency Response:	-3dB, 770-6800Hz
Operation Temp:	32°~104°F (0°~40°C)
Dimensions:	7-1/16" H x 5-5/8" W x 2-1/8" D

COMPATIBLE COMPONENTS

- LEF Series Master Stations
- LE- or LS- Series Sub/Door Stations
- BG-10C All Call/Chime Adaptor
- PS-1208UL Power Supply, PS-1225UL with BG-10C
- RY-PA Door Release Relay
- BA-1 Paging Adaptor
- RY-AC/A External Signaling Relay