



DESCRIPTION

The LEF-5C is a selective calling open voice style master station with a capacity of up to 6 total stations. The system can be designed to meet a wide variety of needs, including any combination of master and sub stations up to its maximum capacity.

Incoming calls from a sub or door station are annunciated with a momentary electronic mono-tone and an LED, remaining lit for approximately 20 seconds. Communication at the calling master is press-to-talk, release-to-listen. The person at the receiving station speaks hands-free. The person at the master station can selectively call and talk with a person at any other sub or master station in the system. The privacy feature prevents monitoring by another master station. An All Call announcement can be made from the master if the system includes the BG-10C All Call/Chime Adaptor.

Master stations are wall mounted in a semi-flush mount. Sub stations are available in surface or flush mount styles, with or without privacy. Outdoor stations are available in surface or flush mount styles. Indoor and outdoor vandal proof stations are also available.

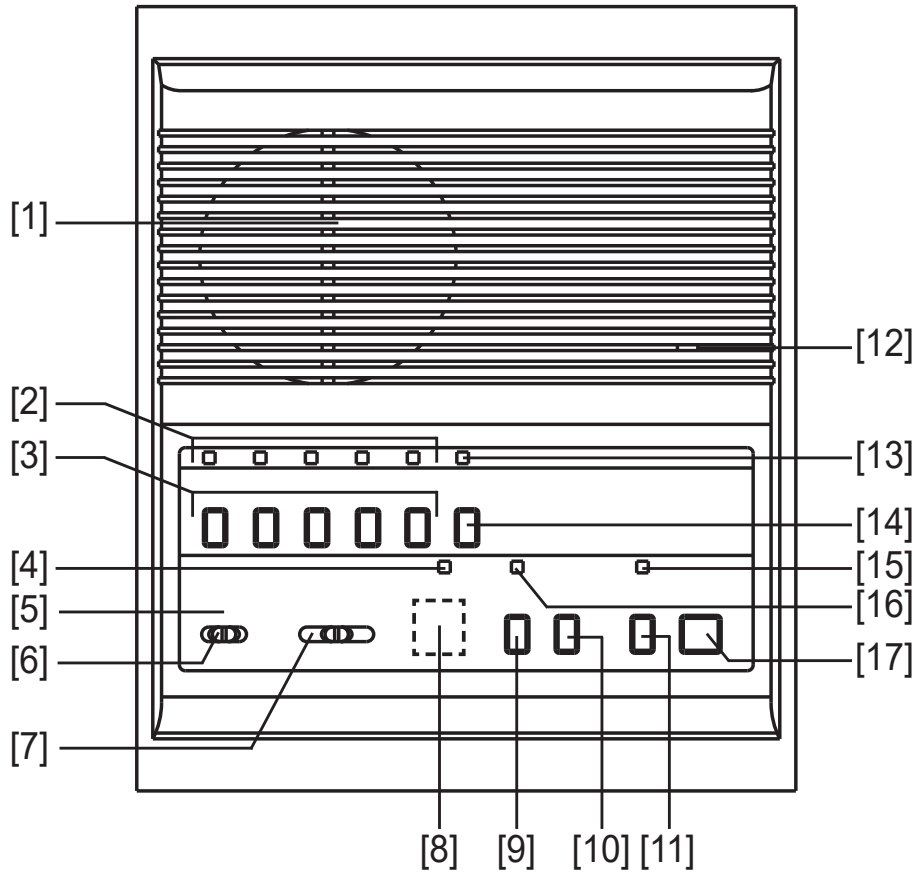
FEATURES

- Supports up to 6 total master, sub, or door stations
- LED and tone to announce incoming calls
- Push-to-talk at calling master station
- Hands-free communication at responding station
- Large variety of sub and door stations
- Selective monitoring
- Privacy feature prevents unauthorized monitoring
- Voice and call tone volume controls
- Selective door release
- Plays background music (requires additional equipment)
- All Call button (requires additional equipment)

LEF-5C

Analog 5-Channel Master Station with All Call

FEATURE CALL-OUT

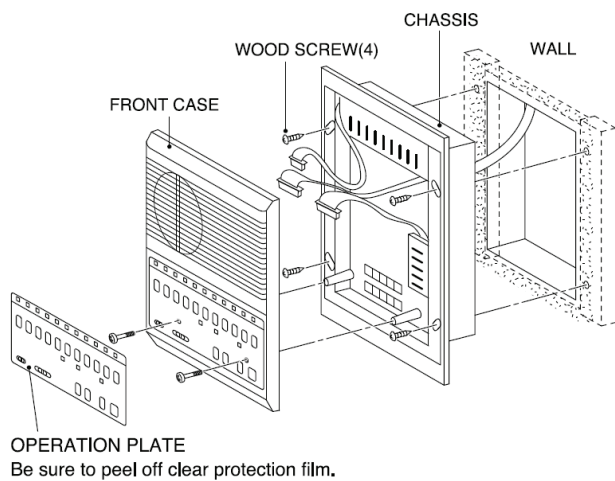


FEATURE LEGEND

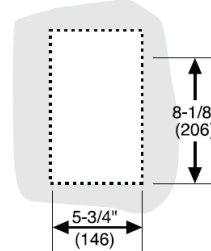
- [1] Speaker
- [2] Sub call-in LED (channels 1-5)
- [3] Station selector button (channels 1-5)
- [4] In-use LED
- [5] Directory card
- [6] Background music volume control
- [7] Voice volume control
- [8] Call tone volume control (hidden)
- [9] All Call
- [10] Door release button
- [11] Privacy button
- [12] Microphone
- [13] Station selected LED
- [14] Off button
- [15] Privacy mode LED
- [16] Output monitor LED
- [17] Talk button

MOUNTING & INSTALLATION

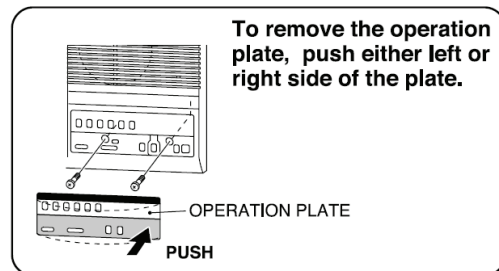
LEF-5C or LEF-10C



CUT-OUT HOLE DIMENSIONS



Cut out a hole in the wall;
H: 8-1/8" x W: 5-3/4" (206 x 146mm), securing a space of 1/8" (3mm) on the left and right sides.



ARCHITECTURAL AND ENGINEERING SPECIFICATIONS

The intercom system shall be of an open voice, selective calling type with selector switches for each station. System shall be fully intermixable with other LEF-series masters or sub stations. Master station shall be simplex operation, with hands-free reply from the responding station.

Master station shall be equipped with station selector switches, OFF button for standby mode, TALK button for simplex operation, and PRIV (privacy) button to block unauthorized monitoring. An All Call button shall be provided for initiation of an announcement throughout the system when the All Call Adaptor is included in the system. A button shall be provided to selectively activate a door release mechanism associated with the station that is selected. Voice volume control shall adjust transmit and receive volume at the calling master station, and a call tone volume control shall be located beneath the operation plate. A call from a sub or door shall be annunciated by a momentary electronic call tone, and the corresponding station LED shall light for approximately 20 seconds. The LED shall not light if a master station calls another master station. LEDs above selector buttons shall illuminate when a station button is pressed at the calling master. The occupied LED shall light to indicate that the system is in use, and the off LED shall light on the unit that has a station selected.

Master station shall flush mount into a wall. Sub stations shall be available in the following configurations: (1) surface or flush mount styles, with or without privacy; (2) weather resistant door stations in surface or flush mount styles, mounted on or in standard 1-gang or 2-gang boxes; and (3) vandal proof style, indoor or outdoor models.

A matching unit (BG-10C w/PS-1225UL) shall be available to provide chime from up to three doors, and All Call from a master station. It shall include an auxiliary input to distribute background music to all or selected sub or master stations in the system.

Wiring shall be multiple conductors with an overall shield inside a single jacket, including nine (9) common wires, plus one (1) individual wire per station in the system between masters. Maximum 15 conductors, not including "K" terminals. In a system with video or selective door release, one (1) additional wire for each audio or video door station is required between masters. Wiring to sub stations shall be two (2) conductors in a 1-master system, or three (3) conductors in a system with two or more masters or when All Call is included.

Manufacturer must have earned ISO 9001 certification for quality standards.

COMPATIBLE COMPONENTS

- LEF Series Master Stations
- LE- or LS- Series Sub/Door Stations
- BG-10C All Call/Chime Adaptor
- PS-1208UL Power Supply, PS-1225UL with BG-10C
- RY-PA Door Release Relay
- BA-1 Paging Adaptor
- RY-AC/A External Signaling Relay

TECHNICAL SPECIFICATIONS

Power Source:	12V DC, 300mA per station. Use PS-1208UL, or PS-1225UL for systems with BG-10C.
Output:	800mW @ 20Ω (reception) 500mW @ 20Ω (transmission)
Communication:	Press-to-talk, release-to-listen at master station. Hands-free at responding station.
Talk Channel:	1 talkpath. Occupied LED when in use.
Wiring:	5 common wires (E, R, Y, +, -), plus 1 individual wire per station, looped. Sub stations: 2 wires homerun in single master systems, or 2 common wires (E, -), plus 1 individual wire per station, looped or homerun.
Capacity:	Up to 6 stations, intermixable
Wiring Distance:	650' w/22AWG; 1600' w/18AWG
Speaker Sensitivity:	40dB
Total Harmonic Distortion:	Less than 5% at rated output power
Signal to Noise Ratio:	60dB
Frequency Response:	-3dB, 770-6800Hz
Operation Temp:	32°~104°F (0°~40°C)
Dimensions:	8-1/18" H x 7-1.2" W x 2-3/16" D