

DESCRIPTION

The LEF-3 is a selective calling open voice style master station with the capacity of up to 4 total stations. The system can be designed to meet a wide variety of needs, including any combination of master and sub stations up to its maximum capacity.

Incoming calls from a sub or door station are annunciated with a momentary electronic mono-tone and an LED, remaining lit for approximately 20 seconds. Communication at the calling master is press-to-talk, release-to-listen. Person at the receiving station speaks hands free. The person at the master station can selectively call and talk with a person at any other sub or master station in the system. The privacy feature on the master and selected subs prevents unauthorized monitoring from other master stations. A call can be received, but communication back to the calling master will be heard only after the privacy button is disengaged.

Master stations can be wall or desk mounted. Sub stations are available in surface or flush mount styles, with or without privacy. Outdoor stations are available in surface or flush mount styles.

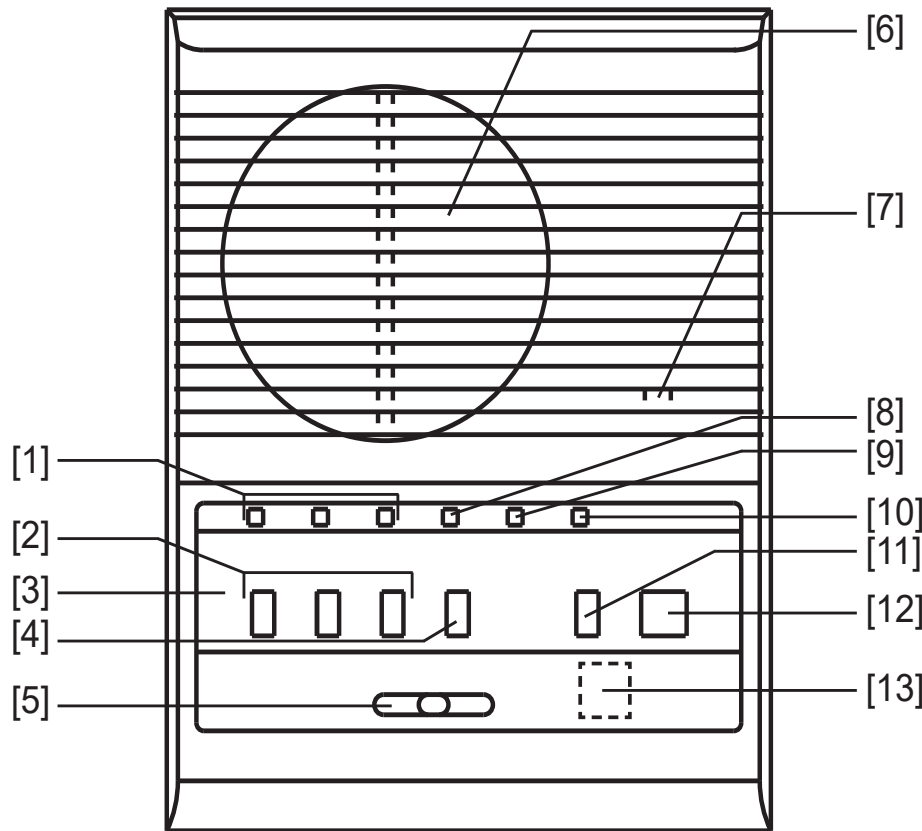
FEATURES

- Supports up to 4 total master, sub, or door stations
- LED and tone to announce incoming calls
- Push-to-talk to calling master station
- Hands-free communication at responding station
- Large variety of sub and door stations
- Selective monitoring
- Privacy prevents unauthorized monitoring
- Voice and call tone volume controls

LEF-3

Analog 3-Channel Master Station

FEATURE CALL-OUT



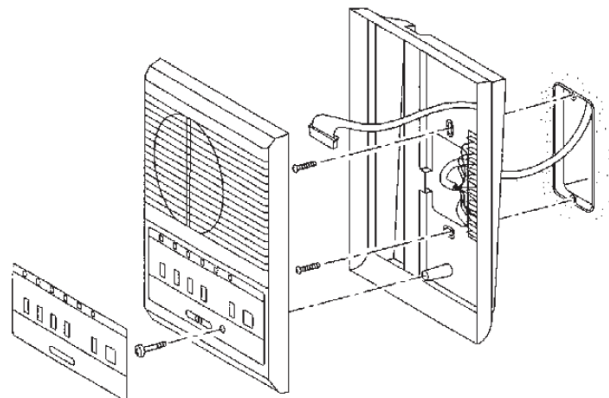
FEATURE LEGEND

- [1] Sub call-in LED (channels 1-3)
- [2] Station selector button (channels 1-3)
- [3] Directory card
- [4] Off button
- [5] Voice volume control
- [6] Speaker
- [7] Microphone
- [8] Station selected LED
- [9] In-use LED
- [10] Privacy mode LED
- [11] Privacy button
- [12] Talk button
- [13] Call tone volume control (hidden)

COMPATIBLE COMPONENTS

- LEF Series Master Stations
- LE- or LS- Series Sub/Door Stations
- BG-10C All Call/Chime Adaptor
- PS-1208UL Power Supply, PS-1225UL with BG-10C
- BA-1 Paging Adaptor
- RY-AC/A External Signaling Relay

MOUNTING & INSTALLATION



ARCHITECTURAL AND ENGINEERING SPECIFICATIONS

The intercom system shall be of an open voice, selective calling type with individual selector switches for each station. Capacity shall be 4 stations, fully intermixable with any number of master or sub stations. Master station shall be simplex operation, with hands-free response from the called station.

Master station shall be equipped with station selector switches, OFF button for standby mode, TALK button for simplex operation, and PRIV (privacy) button to block unauthorized monitoring. Voice volume control shall adjust transmit and receive volume at the calling master station, and a call tone volume control shall be located beneath the operation plate. An incoming call shall be annunciated by a momentary electronic call tone, and the corresponding station LED shall light for approximately 20 seconds. The LED shall not light if a master station calls another master station. LEDs above selector buttons shall illuminate when the station button is pressed at the calling master. The occupied LED shall light to indicate that the system is in use, and the off LED shall light on the master station that has a station selected.

Master station shall wall mount on a 1-gang box or ring or be desk mounted. Sub stations shall be available in the following configurations: (1) surface or flush mount styles, with or without privacy; (2) weather resistant door stations in surface or flush mount styles, mounted on or in standard 1-gang or 2-gang boxes; (4) vandal proof sub station, indoor or outdoor styles, with optional surface mount box.

An optional adaptor shall be available to provide chime from up to three door stations, and provide an auxiliary input to distribute background music to all or selected sub or master stations in the system. Wiring shall be multiple conductors with an overall shield inside a single jacket, including five (5) common wires, plus one (1) individual wire per station in the system between masters. Maximum 9 conductors. Wiring to sub stations shall be two (2) conductors in a 1-master system, and three (3) conductors in a system with two or more masters.

Manufacturer must have earned ISO 9001 certification on all intercommunication products.

TECHNICAL SPECIFICATIONS

Power Source:	12V DC, 300mA per station. Use PS-1208UL, or PS-1225UL for systems with BG-10C.
Output:	800mW @ 20 Ω (reception) 500mW @ 20 Ω (transmission)
Communication:	Press-to-talk, release-to-listen at master station. Hands-free at responding station.
Talk Channel:	1 talkpath. Occupied LED when in use.
Wiring:	5 common wires (E, R, Y, +, -), plus 1 individual wire per station, looped. Sub stations: 2 wires homerun in single master systems, or 2 common wires (E, -), plus 1 individual wire per station, looped or homerun.
Capacity:	Up to 4 stations, intermixable
Wiring Distance:	650' w/22AWG; 1600' w/18AWG
Speaker Sensitivity:	40dB
Total Harmonic Distortion:	Less than 5% at rated output power
Signal to Noise Ratio:	60dB
Frequency Response:	-3dB, 770-6800Hz
Operation Temp:	32°~104°F (0°~40°C)
Dimensions:	7-1/16" H x 5-5/8" W x 2-1/8" D