

Hanging Mount Adaptor

SBP-276HM / W



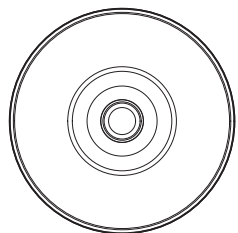
Product Overview

ENG SBP-276HM/W is an adaptor used to install an PNM-9000VQ/9030V/9002VQ camera in a Wall Mount Adaptor (SBP-300WM/W), Ceiling Mount Adaptor (SBP-300CM/W), or Parapet Mount Adaptor(SBP-300LM/W).

Installation Precautions

- Make sure that the installation place can endure at least 4 times of the total weight of the Hanging Mount Adaptor, Camera, and Wall/Ceiling/Parapet Mount Adaptor.
- The Hanging Mount Adaptor can be also connected to 1.5" PF screw-thread pipe as well as to the Wall/Ceiling/Parapet Mount Adaptor.

Package



HANGING MOUNT ADAPTOR

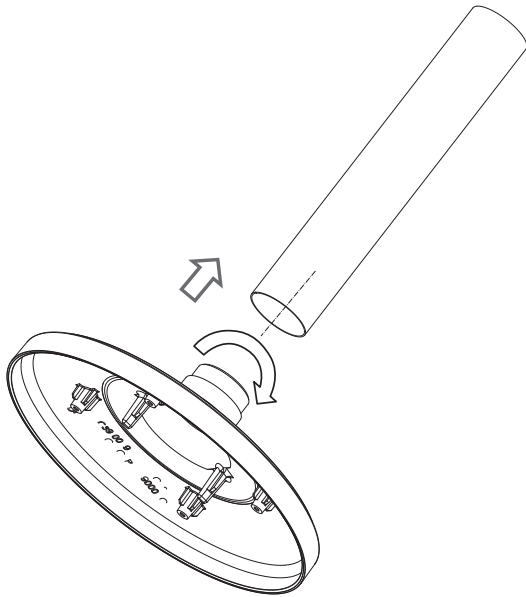


SCREW 4EA

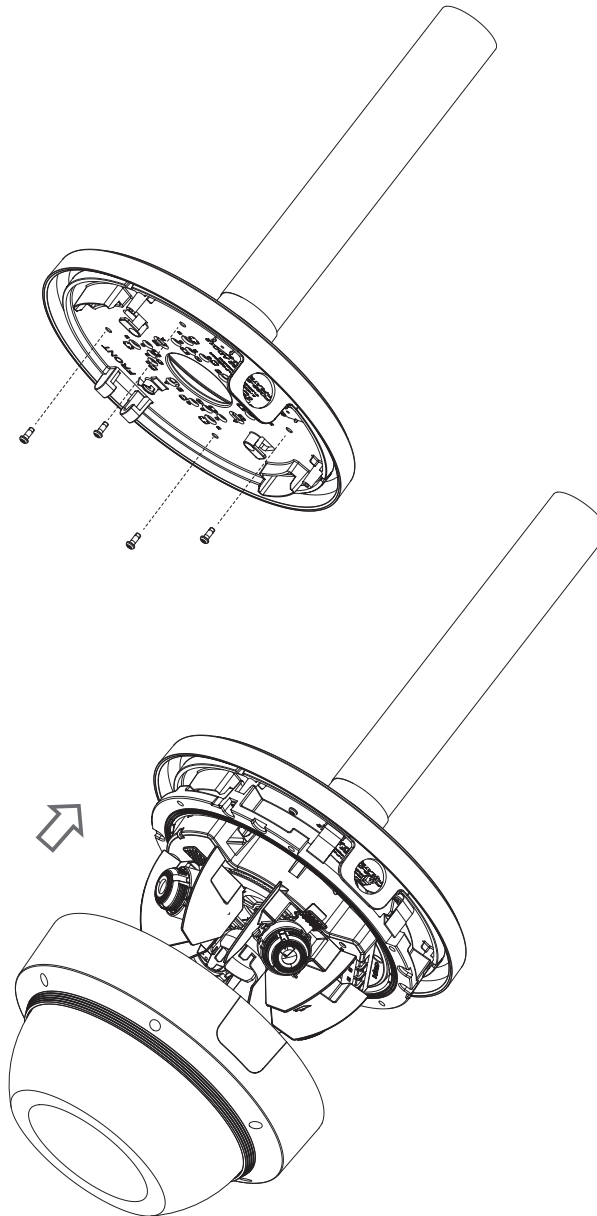
Installation

- 1 Insert the Hanging Mount Adaptor to 1-1/2"PF screw-thread (female) pipe or to the Wall/Ceiling/Parapet Mount Adaptor (SBP-300WM/W or 300CM/W or 300LM/W) and turn it clockwise to secure to the Pipe or Adaptor.

- ! Make sure you fix the Pipe or Adaptor so that it reaches to the end of the 1-1/2"PF screw thread on the Hanging Mount Adaptor. If not secured tightly, the Hanging Mount Adaptor may loosen from the Pipe or Adaptor, causing physical damage or malfunction.
(Make sure you check the connection between two components before proceeding with the next step.)



- 2 Install the Hanging Mount Adaptor onto the camera.
 - Make sure you insert the Adaptor in the right direction.



Product Specifications

- Weight : 830g
- Material : Aluminum
- Operation temp. : -50°C~60°C
- Operation hum. : 0~100%

Product Outline

