

MET-CDS

CURTAIN DOOR SWITCH

Bi - Directional Curtain Door Switch W/Reversible Mounting Assembly



Contact Size: 2.68"L x .95"W x .54"H

(68mm x 24.2mm x 13.8mm)

Standard Magnet Size: 2.93"L x .5"W x .5"H

(74.5mm x 12.6mm x 12.6mm)

Standard Gap: 3.15" (80mm)

Colors: NA

36" (915mm) Armor Cable Available

Specifications

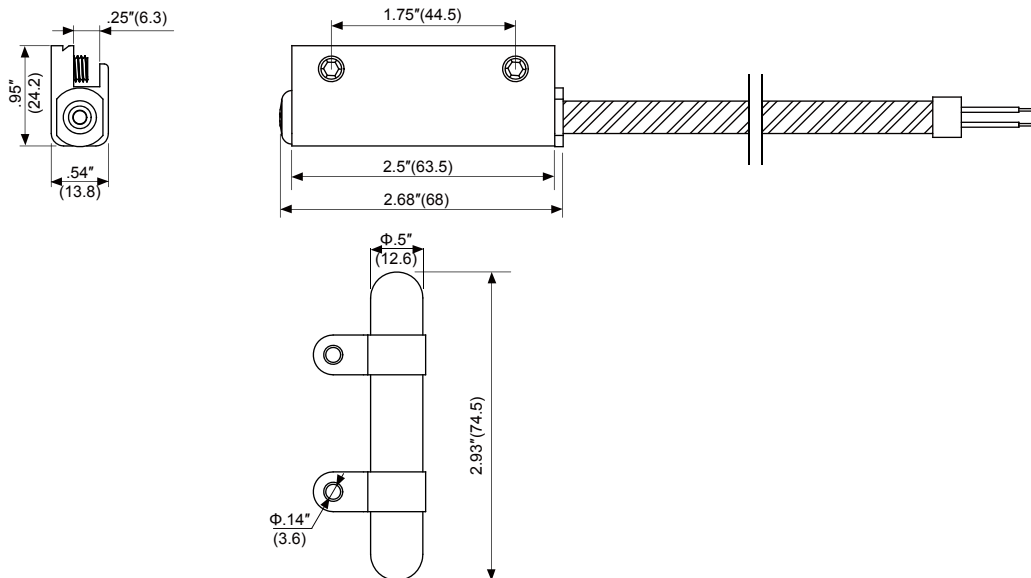
Part Number	Gap Inch(mm)	Loop Open/Closed	Reed Form	Max. Contact Rating (W)	Max. Initial Contact Resistance (mΩ)	Max. Switching Voltage (V)	Max. Switching Current (A)
MET-CDS	3.15"(80)	CLOSED	Normally Open	10	100	AC110/DC100	0.5

OPERATING TEMPERATURE: -40°C to +60°C

Outline Dimensions

Unit: inch(mm)

MET-CDS



The Best Guarantee Since 1984 : \$50-1

TANE ALARM PRODUCTS

906 JERICHO TURNPIKE, NEW HYDE PARK, NY 11040

Tel: 800-852-5050 • 516-328-3351 • Fax: 516-326-9125

www.tanealarm.com • E-MAIL: info@tanealarm.com