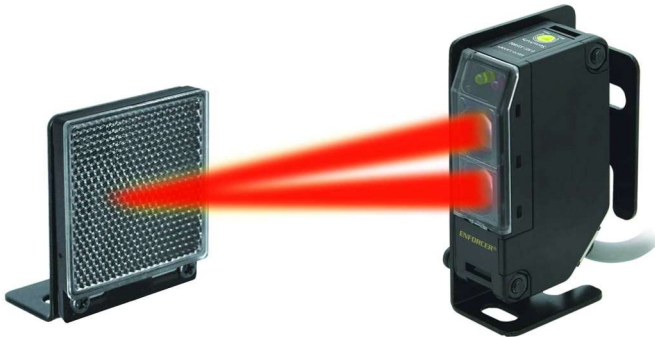


Retro-Reflective Photoelectric Beam Sensor

E-931-S35RRQ

Installation Manual



The ENFORCER E-931-S35RRQ Retro-Reflective Photoelectric Beam Sensor provides reliable sensing of objects that enter the space between the sensor and reflector, thus breaking the infrared beam. It is suitable for various types of such as detection such as sensing approaching vehicles to open a garage door or outdoor gate, as an entry notification for stores, for measuring parking distances, industrial automation, or an alarm notification, as well as many other uses.

- Range 35ft (11m)
- Weatherproof (IP66) construction for indoor/outdoor usage
- Dark ON operation (Light ON operation also available)
- Pre-wired 6ft (1.8m) cord
- Bracket and mounting hardware included for both sensor and reflector
- Adjustable sensing range
- Compact size

CAUTION

- This sensor was not designed to prevent bodily injury or loss of life.
- This sensor was not designed for use in environments where explosive gases may be present.
- Use of this sensor in certain security applications may be regulated by local laws or codes. SECO-LARM is not responsible for compliance with such laws or codes

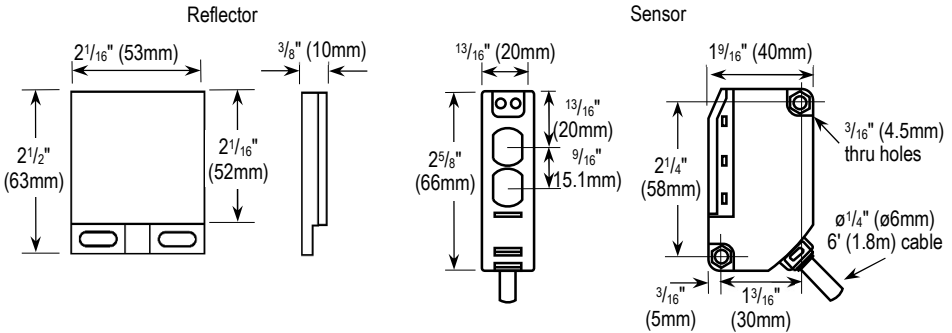
Parts List

1x Sensor	1x Sensor mounting bracket	All mounting hardware
1x Square reflector	1x E-931ACC-BLR2Q Reflector mounting bracket	1x Manual

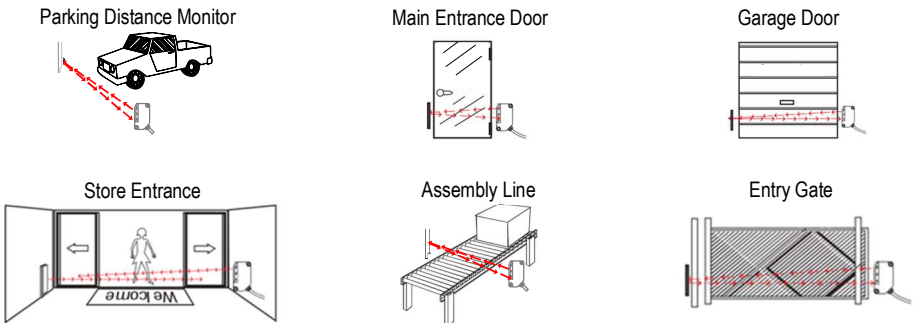
Specifications

Type	Retro-reflective
Operating voltage	24~240 VAC / 12~240VDC
Sensing range	0.5~35 ft (0.2~11 m)
Current draw	25mA@12VDC
Standby	60mA@12VDC
Active	
Response time	10ms. (max.)
Light source	IR LED
LED indicators	Yellow LED (Alignment), Red LED (Triggered)
Trigger output	SPDT Relay output (NO/NC/COM)
Switching capacity	1A@250VAC / 2A@30VDC
IP Rating	IP66 Weatherproof
Operating temperature	-4~131° F (-20~55° C)
Sensor dimensions	13/16" x 2 5/8" x 1 9/16" (20x66x40 mm)

Dimensions



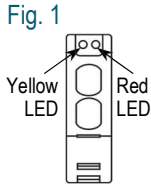
Sample Installations



Installation and Adjustment

LED Functions

- Red LED – When ON, indicates the sensor is triggered.
- Yellow LED – When ON, indicates the sensor is properly aligned with the reflector, and not triggered.



Understanding Sensing Range Adjustment

The *Sensing Range* adjustment determines the strength of the infrared signal emitted by the sensor.

- Min. Setting – Weakest infrared signal – sensor easily be triggered by small objects but more susceptible to false alarms
- Max. Setting (default) – Strongest infrared signal – sensor less likely to be susceptible to false alarms

Installation

1. Mount the reflector and the sensor so they face each other (see *Mounting the Reflector*, below and *Mounting the Sensor*, pg. 4).
2. Connect power to the sensor (see *Wiring Diagram*, pg. 4). The red LED will probably light, indicating that the sensor and reflector are not yet aligned. If the yellow LED lights (red LED OFF), it indicates that the sensor and reflector are aligned (though it may still be necessary to further adjust the alignment).
3. Turn the sensing range knob to *Max*.
4. To find the best alignment, slowly adjust the angle of the sensor (and/or reflector) up, down, left or right.

NOTES:

- Correct alignment is reached when the red LED is OFF and the yellow LED is ON.
- If both LEDs are OFF, the sensor is at the edge of signal range and may not work properly.

Adjusting Sensing Range

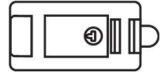
After the sensor and the reflector have been properly installed, the next step is to adjust the appropriate setting for the sensing range.

1. Starting from the *Min.* position, slowly turn the sensing range adjustment (see Fig. 2) clockwise until the yellow LED turns ON. Mark this as position A.

Fig. 2



NOTE: If the yellow LED is on at the *Min.* setting, consider this as position A.



2. Place an object similar to what you desire to detect between the sensor and reflector at the point where you would normally want it to be detected. The yellow LED should turn off and the red LED should turn on.
3. Slowly turn the sensing range adjustment clockwise until the yellow LED turns on again. Mark this as position B.

NOTE: If the yellow LED does not turn on even at the *Max.* position, then consider *Max.* as position B.

4. Turn the sensing range adjustment counterclockwise to a point approximately midway between points A and B.

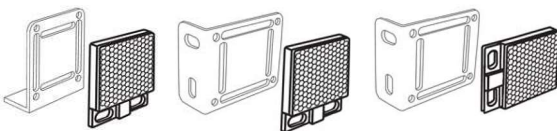
Testing

1. Power up the sensor. The yellow LED should be ON and the red LED should be OFF.
2. Pass a typical object to be detected between the sensor and reflector. The red LED should turn ON and the yellow LED OFF indicating successful detection.

NOTE: If a shiny object, such as a chrome-plated item or one with reflective tape, comes in close proximity to the IR beam, the sensor may not be able to detect accurately. If so, you may need to adjust the sensing range counterclockwise until the desired results are obtained.

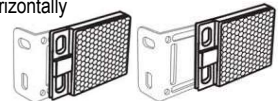
Mounting the Reflector

Sample fixed mounting

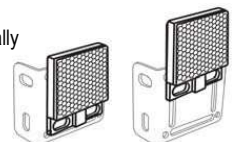


Adjusting the reflector

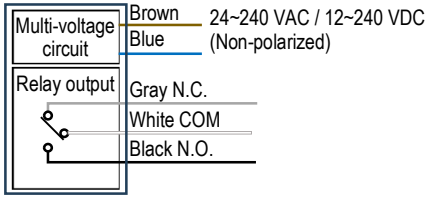
Horizontally



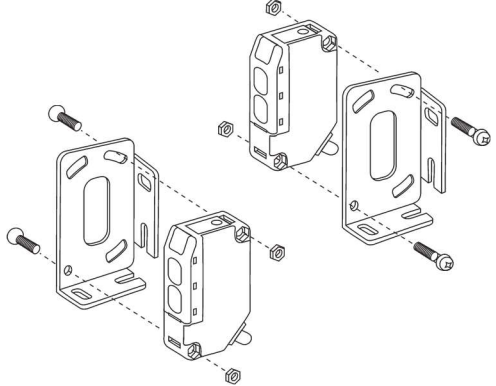
Vertically



Wiring Diagram



Mounting the Sensor



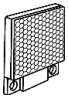

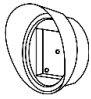

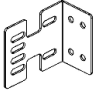
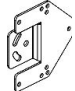

NOTES

- Can be connected to AC or DC voltage
- Maximum cable extension length is 325ft (100m)

Troubleshooting

- | | |
|---|---|
| Sensor does not detect the object | <ul style="list-style-type: none"> • Change the angle of the sensor or readjust the sensitivity setting |
| Yellow LED does not turn on | <ul style="list-style-type: none"> • Clean the sensor and reflector with a damp (not wet) cloth • Adjust the reflector and/or sensor for proper alignment |
| Red LED lights when object is detected, but no output | <ul style="list-style-type: none"> • Check cable from sensor to alarm device and test sensor |

Accessories

<p>Square Reflector</p>  <p>E-931ACC-R2Q</p>	<p>Round Reflector</p>  <p>E-931ACC-RC1Q</p>	<p>Reflector Hood</p>  <p>E-931ACC-HR1Q</p>	<p>Reflector Bracket</p>  <p>E-931ACC-BLR2Q</p>
<p>Wall Bracket</p>  <p>E-931ACC-BLS7Q</p>	<p>Door Frame Bracket</p>  <p>E-931ACC-BLS8Q</p>	<p>Single-Gang Bracket</p>  <p>E-931ACC-BLS6Q</p>	

IMPORTANT: Users and installers of this product are responsible for ensuring that the installation and configuration of this product complies with all national, state, and local laws and codes. SECO-LARM will not be held responsible for the use of this product in violation of any current laws or codes.

California Proposition 65 Warning: These products may contain chemicals which are known to the State of California to cause cancer and birth defects or other reproductive harm. For more information, go to www.P65Warnings.ca.gov.

WARRANTY: This SECO-LARM product is warranted against defects in material and workmanship while used in normal service for one (1) year from the date of sale to the original customer. SECO-LARM's obligation is limited to the repair or replacement of any defective part if the unit is returned, transportation prepaid, to SECO-LARM. This Warranty is void if damage is caused by or attributed to acts of God, physical or electrical misuse or abuse, neglect, repair or alteration, improper or abnormal usage, or faulty installation, or if for any other reason SECO-LARM determines that such equipment is not operating properly as a result of causes other than defects in material and workmanship. The sole obligation of SECO-LARM, and the purchaser's exclusive remedy, shall be limited to the replacement or repair only, at SECO-LARM's option. In no event shall SECO-LARM be liable for any special, collateral, incidental, or consequential personal or property damage of any kind to the purchaser or anyone else.

NOTICE: The SECO-LARM policy is one of continual development and improvement. For that reason, SECO LARM reserves the right to change specifications without notice. SECO-LARM is also not responsible for misprints. All trademarks are the property of SECO-LARM U.S.A., Inc. or their respective owners. Copyright © 2023 SECO-LARM U.S.A., Inc. All rights reserved.

SECO-LARM® U.S.A., Inc.

16842 Millikan Avenue, Irvine, CA 92606
Phone: (949) 261-2999 | (800) 662-0800

Website: www.seco-larm.com
Email: sales@seco-larm.com

 PITJW3

MI_E-931-S35RRQ_231108.docx