

ENFORCER®

EV-Y4201-A2SQ

4-in-1 HD TVI, CVI, AHD, Analog
Corner-Mount Camera

Manual



Features:

- Select between multiple formats: TVI, CVI, AHD, and Analog
- 1/2.8" 2MP Sony STARVIS™ CMOS
- Full HD (1920x1080) resolution
- True Day & Night function with ICR mechanism
- 3DNR (3D Noise Reduction)
- D-WDR (Digital Wide Dynamic Range)
- Built-in internal joystick OSD control
- Vandal-resistant metal front panel
- Weatherproof (IP65)
- 30 Covert IR LEDs for discreet monitoring

ENFORCER 4-in-1 HD TVI, CVI, AHD, Analog Corner-Mount Camera

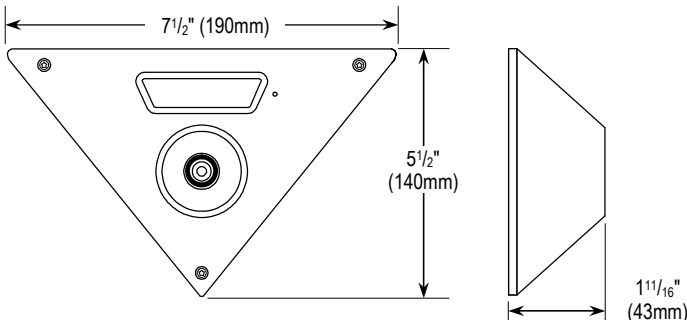
Parts List:

1x Camera	1x Camera cover	1x Hex wrench	1x Manual
3x Hex screws	2x Mounting screws	1x Pigtail connector	1x OSD Manual

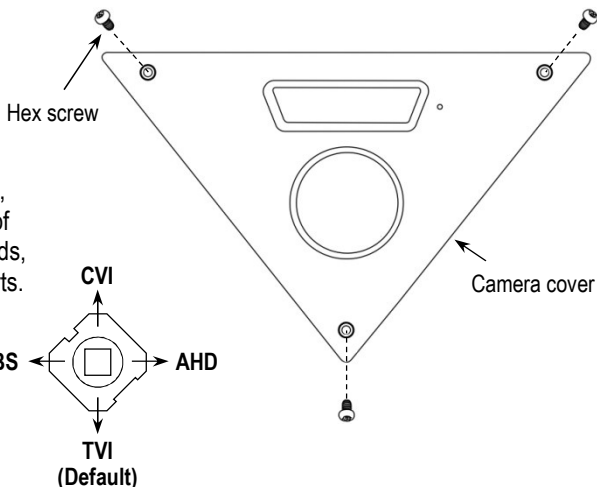
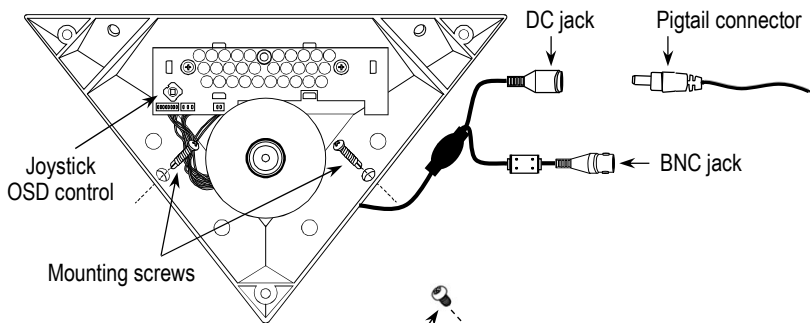
Specifications:

Housing color	Silver		
Type	Corner-Mount Camera		
Formats	TVI (default) / CVI / AHD / Analog		
CMOS	1/2.8" 2MP Sony STARVIS™ CMOS		
Resolution (HD)	1920x1080p		
TV Lines (Analog)	1200TVL		
3DNR	Yes		
2DNR	Yes		
D-WDR	Yes		
OSD (On-Screen Display)	Yes		
Onboard OSD control	Yes		
Video output	1.0Vp-p complex video output		
Megapixels	2MP		
Lens	2.8mm ICR		
Viewing angle	126°		
# of IR LEDs	30 Covert (940nm)		
IR Range	Up to 82ft (25m)		
FPS	30FPS		
F Stop	F1.6		
Minimum illumination	(IR On)	0Lux	
	(IR Off)	0.01Lux, F1.6	
Gamma correction	0.45		
S/N Ratio	50dB		
DSS (Digital Slow Shutter)	Yes		
Shutter control	Auto		
Gain control	Auto		
White balance	Auto, Day & Night		
Operating voltage	12VDC		
Current draw	(IR On)	410mA	
	(IR Off)	90mA	
IP Rating	IP65		
Operating temperature	14°~122° F (-10°~50° C)		
Dimensions	7 1/2"x5 1/2"x1 1/16" (190x140x43 mm)		
Weight	13.75-oz (390g)		

Dimensions:



Overview:



OSD Controller Settings:

To set format via the OSD controller, press the controller in the direction of the desired setting, hold for 5 seconds, and release when the camera restarts. See chart below.

Direction	Format Setting
Up	CVI
Down	TVI
Left	CVBS
Right	AHD

Important: Do not cut DC jack or BNC jack as warranty will be voided.

Before Starting:

1. Use the camera within given temperature and electrical limits.
2. Do not point the camera at the sun. Heat could damage the camera, even when not in use.
3. Do not mount the camera in areas exposed to radiation, strong magnetic fields, or strong electrical signals.
4. Do not subject the camera to extreme shock.

Installation:

1. Run a 12VDC power supply wire and a video cable with a male BNC connector through the wall at the corner where the camera is to be mounted.
2. **Do not cut DC jack or female BNC connector as warranty will be voided. If needed, use the included pigtail connector.**
3. Use the included hex wrench to loosen the screws and remove the camera cover from the camera.
4. Temporarily connect the power supply and video cable. Turn the monitor on and make sure the camera is sending the proper signal.
5. While watching the monitor, hold the camera against the corner where it is to be mounted until it is certain that this mounting location is correct. Use a pencil to mark the location of the two screw holes.
6. Disconnect the power supply and video cable.
7. Mount the camera against the corner using the two included mounting screws. If the wall is made of dry wall, brick, or similar material, it may be necessary to use screw anchors (not included).
8. Reconnect power and video.
9. Reattach the camera cover using the included hex wrench.
10. Do a final test of the video camera and monitor.

ENFORCER 4-in-1 HD TVI, CVI, AHD, Analog Corner-Mount Camera

Troubleshooting:

The screen is black	<ul style="list-style-type: none">• Check that the camera is powered up• Check that the power supply's polarity is correct• Check that the monitor is powered up• Check that the video cable connecting the camera to the monitor is connected properly
The image is foggy or washed out at night	<ul style="list-style-type: none">• Check that there are no objects very close to the camera• Check that there are no highly reflective objects in the scene
The screen image is dim	<ul style="list-style-type: none">• Clean the lens using a soft, clean cloth• Check that the light source is adequate
The screen image has poor contrast	<ul style="list-style-type: none">• Adjust the monitor's contrast knob• Change the position of the camera
The screen image flickers	<ul style="list-style-type: none">• Change the position of the camera, check cables and format setting
The screen image is distorted	<ul style="list-style-type: none">• Change the position of the camera, check cables and format setting
The camera case is hot	<ul style="list-style-type: none">• Check that the correct power supply is in use
IR LEDs do not turn on	<ul style="list-style-type: none">• Check that the correct power supply is in use

California Proposition 65 Warning: These products may contain chemicals which are known to the State of California to cause cancer and birth defects or other reproductive harm. For more information, go to www.P65Warnings.ca.gov.

WARNING: Stop using the camera if you see a malfunction such as smoke or unusual heat, as it could cause fire or electric shock. Do not open the case of this device, as there are no user-serviceable components inside.

IMPORTANT: Users and installers of this product are responsible for ensuring this product complies with all national, state, and local laws and statutes related to monitoring and recording audio and video signals. SECO-LARM will not be held responsible for the use of this product in violation of any current laws or statutes.

FCC COMPLIANCE STATEMENT

THIS DEVICE COMPLIES WITH PART 15 OF THE FCC RULES. OPERATION IS SUBJECT TO THE FOLLOWING TWO CONDITIONS: (1) THIS DEVICE MAY NOT CAUSE HARMFUL INTERFERENCE AND (2) THIS DEVICE MUST ACCEPT ANY INTERFERENCE RECEIVED, INCLUDING INTERFERENCE THAT MAY CAUSE UNDESIRABLE OPERATION.

Notice: The changes or modifications not expressly approved by the party responsible for compliance could void the user's authority to operate the equipment.

IMPORTANT NOTE: To comply with the FCC RF exposure compliance requirements, no change to the antenna or the device is permitted. Any change to the antenna or the device could result in the device exceeding the RF exposure requirements and void user's authority to operate the device.

WARRANTY: This SECO-LARM product is warranted against defects in material and workmanship while used in normal service for three (3) years from the date of sale to the original customer. SECO-LARM's obligation is limited to the repair or replacement of any defective part if the unit is returned, transportation prepaid, to SECO-LARM. This Warranty is void if damage is caused by or attributed to acts of God, physical or electrical misuse or abuse, neglect, repair or alteration, improper or abnormal usage, or faulty installation, or if for any other reason SECO-LARM determines that such equipment is not operating properly as a result of causes other than defects in material and workmanship. The sole obligation of SECO-LARM and the purchaser's exclusive remedy shall be limited to the replacement or repair only, at SECO-LARM's option. In no event shall SECO-LARM be liable for any special, collateral, incidental, or consequential personal or property damage of any kind to the purchaser or anyone else.

NOTICE: The SECO-LARM policy is one of continual development and improvement. For that reason, SECO-LARM reserves the right to change specifications without notice. SECO-LARM is also not responsible for misprints. All trademarks are the property of SECO-LARM U.S.A., Inc. or their respective owners. Copyright © 2020 SECO-LARM U.S.A., Inc. All rights reserved.

SECO-LARM® U.S.A., Inc.

16842 Millikan Avenue, Irvine, CA 92606
Phone: (949) 261-2999 | (800) 662-0800

Website: www.seco-larm.com
Email: sales@seco-larm.com



ML_EV-Y4201-A2SQ_201111.docx