

ENFORCER®

EV-Y5105-N2SQ

4-in-1 HD TVI, CVI, AHD, Analog Wall-Plate Camera Manual



See
MORE.

Wide Angle Camera

Features:

- Select between multiple formats: TVI, CVI, AHD, and Analog (CVBS)
- 1/2.8" 2MP Sony STARVIS™ CMOS
- 2.9mm Wide angle lens
- Weatherproof IP67 construction
- Vandal-resistant design
- Adjustable mounting angle
- Includes: 1 camera, 1 single-gang plate, 1 slimline plate, and angled mounting rings
- 2DNR (2D Digital Noise Reduction)
- D-WDR (Digital Wide Dynamic Range)
- 12VDC Operating voltage

ENFORCER 4-in-1 HD TVI, CVI, AHD, Analog Wall-Plate Camera

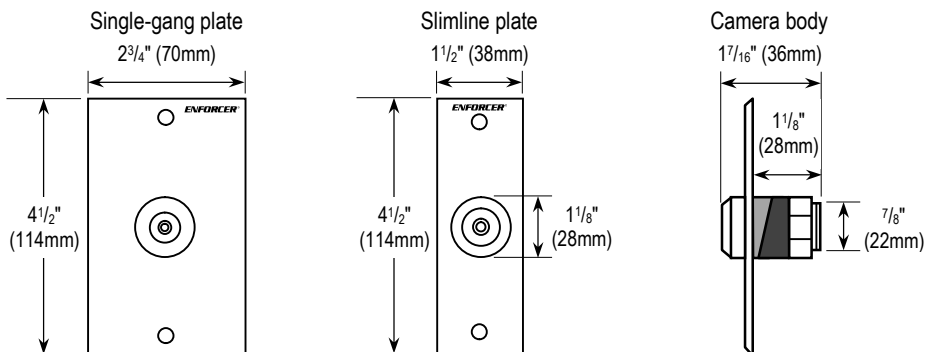
Specifications:

Type	Wall-plate camera	
Formats	TVI (Default) / CVI / AHD / Analog (CVBS)	
Plate type	1 Single-gang, 1 slimline	
CMOS	1/2.8" 2MP Sony STARVIS™ CMOS	
Resolution	1080p	
2DNR	Yes	
D-WDR	Yes	
OSD (On-Screen Display)	Yes	
External OSD Control	Yes	
Scanning system	2:1 Interface	
Sync	Internal	
Video output	1.0Vp-p Complex video, 75Ω	
Lens	2.9mm	
Viewing angle	155°	
FPS	30FPS	
F Stop	2.2	
Minimum illumination	Color: 0.01Lux, BW: 0.001Lux	
Gamma correction	0.45	
S/N Ratio	50dB	
Gain control	Auto	
Operating voltage	12VDC	
Current draw	130mA±15%	
IP Rating	IP67	
Operating temperature	14°~122° F (-10°~50° C)	
Dimensions	Camera	17/16" x ø11/8" (36xø28 mm)
	Single-gang plate	23/4" x 41/2" (70x114 mm)
	Slimline plate	11/2" x 41/2" (38x114 mm)
Camera body weight	2.8-oz (80g)	

Parts List:

1x Camera	1x Single-gang plate	1x Slimline plate
1x Angled rubber ring	1x Angled aluminum ring	1x Aluminum hex nut
1x OSD Joystick	2x Mounting screws	1x Manual

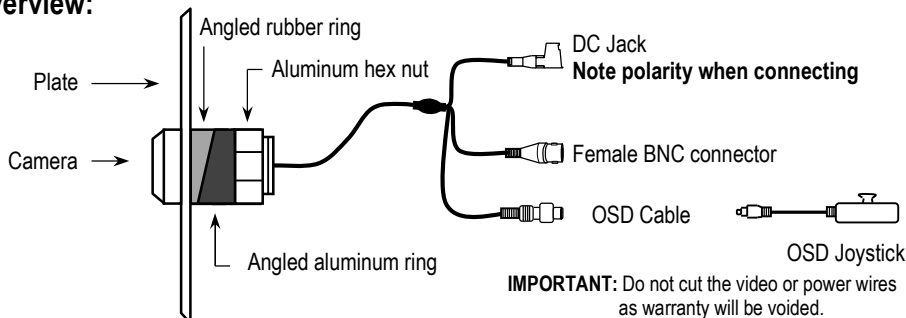
Dimensions:



Before Starting:

1. Read this manual carefully and keep it for future reference.
2. Use the camera within given temperature and electrical limits.
3. Do not point the camera at the sun. Heat could damage the camera, even when not in use.
4. Do not mount the camera in areas exposed to radiation, strong magnetic fields, or strong electrical signals.
5. Do not open or disassemble the camera. There are no user-serviceable parts inside.
6. Do not subject the camera to extreme shock.

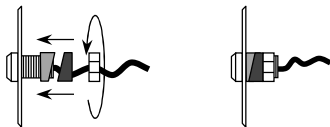
Overview:



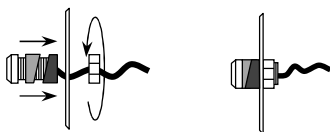
IMPORTANT: Do not cut the video or power wires as warranty will be voided.

NOTE: When installing the camera, ensure that the arrow label behind the lens is at the top.

Mounting the Camera to the Plate:



To mount the camera to the plate, position the angled rings behind the plate and twist the aluminum hex nut to secure the plate to the camera.



If an object installed next to the camera on the wall is blocking the field of vision, the angled rings may be installed in front of the wall plate to move the field of vision forward.

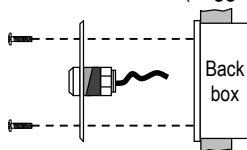
Changing the Mounting Angle:



Install the angled rubber ring on the front of the plate so that the camera is tilted (approximately 20°).

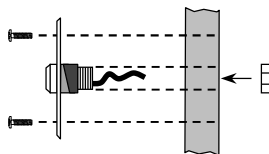
Mounting Options:

With a plate and back box (suggested):



Mount directly to the back box (not included).

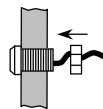
Plate, no back box:



Drill a 7/8" (22mm) hole in the wall to fit the camera body. Mount the plate directly to the wall.

No plate and no back box:

Min. Wall thickness: 5/16" (8mm)
Max. Wall thickness: 15/16" (23mm)



Drill a 7/8" (22mm) hole into the wall to fit the camera body. If mounting to a thick surface, it may not be necessary to use the angled rings.

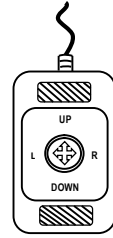
ENFORCER 4-in-1 HD TVI, CVI, AHD, Analog Wall-Plate Camera

Switching between HD Analog Outputs:

To set format via the OSD controller, press the controller in the direction of the desired setting, hold for 5 seconds, and release when the camera restarts.

See chart to the right.

Direction	Format Setting
Up	CVI
Down	TVI
Left	Analog (CVBS)
Right	AHD



Troubleshooting:

The screen is blank	<ul style="list-style-type: none">• Check that the camera is powered up• Check that the power supply's polarity is correct• Check that the monitor is powered up• Check that the video cable connecting the camera to the monitor is connected properly• Verify video format
The screen image is dim	<ul style="list-style-type: none">• Clean the lens using a soft, clean cloth• Change the position of the camera• Verify video format
The screen image has poor contrast	<ul style="list-style-type: none">• Adjust the monitor's contrast knob• Change the position of the camera• Verify video format
The screen image flickers	<ul style="list-style-type: none">• Change the position of the camera• Verify video format
The screen image is distorted	<ul style="list-style-type: none">• Change the position of the camera• Verify video format
The camera case is hot	<ul style="list-style-type: none">• Check that the correct power supply is in use

IMPORTANT: Users and installers of this product are responsible for ensuring this product complies with all national, state, and local laws and statutes related to monitoring and recording audio and video signals. SECO-LARM will not be held responsible for the use of this product in violation of any current laws or statutes.

California Proposition 65 Warning: These products may contain chemicals which are known to the State of California to cause cancer and birth defects or other reproductive harm. For more information, go to www.P65Warnings.ca.gov.

FCC COMPLIANCE STATEMENT

This device complies with Part 15 of the FCC Rules. Operation is subject to the following two conditions: (1) this device may not cause harmful interference, and (2) this device must accept any interference received, including interference that may cause undesired operation.

WARRANTY: This SECO-LARM product is warranted against defects in material and workmanship while used in normal service for three (3) years from the date of sale to the original customer. SECO-LARM's obligation is limited to the repair or replacement of any defective part if the unit is returned, transportation prepaid, to SECO-LARM. This Warranty is void if damage is caused by or attributed to acts of God, physical or electrical misuse or abuse, neglect, repair or alteration, improper or abnormal usage, or faulty installation, or if for any other reason SECO-LARM determines that such equipment is not operating properly as a result of causes other than defects in material and workmanship. The sole obligation of SECO-LARM and the purchaser's exclusive remedy, shall be limited to the replacement or repair only, at SECO-LARM's option. In no event shall SECO-LARM be liable for any special, collateral, incidental, or consequential personal or property damage of any kind to the purchaser or anyone else.

NOTICE: The SECO-LARM policy is one of continual development and improvement. For that reason, SECO-LARM reserves the right to change specifications without notice. SECO-LARM is also not responsible for misprints. All trademarks are the property of SECO-LARM U.S.A., Inc. or their respective owners. Copyright © 2023 SECO-LARM U.S.A., Inc. All rights reserved.

SECO-LARM® U.S.A., Inc.

16842 Millikan Avenue, Irvine, CA 92606
Phone: (949) 261-2999 | (800) 662-0800

Website: www.seco-larm.com
Email: sales@seco-larm.com

 PITSW1
Order Part# 764-100-12%
ML_EV-Y5105-N2SQ_231002.docx