

ENFORCER®

SD-961A-36

Push-to-Exit Bar

Manual



Features:

- For allowing egress from inside an area normally locked by an electromagnetic lock, and/or to disarm or trigger an alarm when the door is opened
- Built-in non-latching (momentary), normally open and normally closed (N.O. and N.C.) contacts
- Attractive brushed aluminum bar with black base and trim
- Two dual-contact switches (NO/COM/NC): 25A@ 24VAC
- Length of bar: 34.5 inches (for standard 36-inch wide door), can be cut to size
- Pushing the bar at any point will send a signal to release the lock and/or sound an alarm
- Includes: Armored Door Cord (SD-969-A18)

ENFORCER Push-to-Exit Bar

Introduction:

Please read the manual carefully before beginning installation

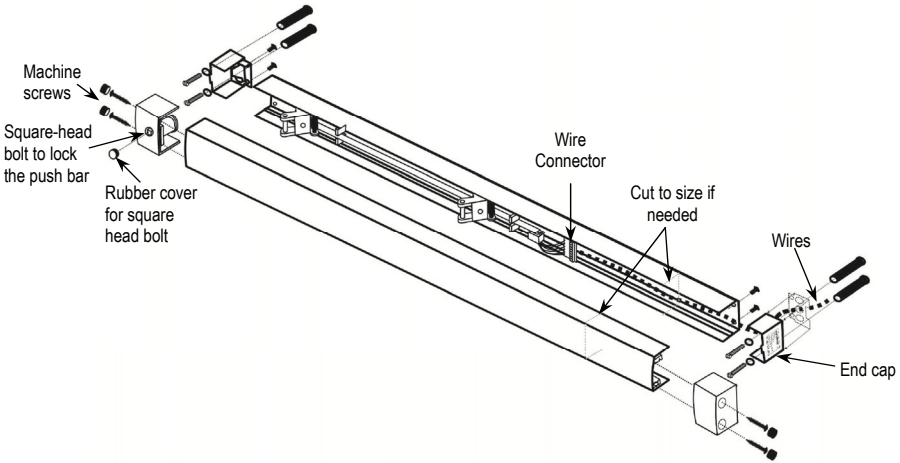
1. The push bar can be mounted in one of two ways, depending on customer needs: Hollow doors using sex bolts – The sex bolts allow the push bar to be bolted to the door without the screws being exposed on the outside of the door. Screws and sex bolts are included.
2. Wood doors – Four wood screws are included to mount the push bar to a wood door.

NOTE: When mounting the push bar, use a carpenter's level to make sure it is mounted properly. Measuring from the bottom of the door may result in a tilted push bar, as the bottom of the door may not be level.

Parts List:

1x Push Bar	4x Locking washers
1x Key	4x Small plastic caps
4x Sex bolts	1x Large Plastic Cap
4x Machine Screws	1x SD-969-A18
4x Wood Screws	Armored door cord

Overview:



Installation:

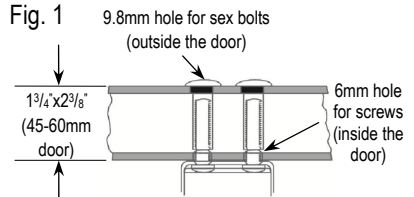
1. Remove the two end-cap covers from the aluminum top . Remove the two screws on each end, and pull the end-cap covers off. Slide the aluminum top off.
2. Determine length of the push bar . The SD-961A was designed to fit standard 36-inch doors. For narrower doors, the push bar can be cut. To cut:
 - a. Measure the width of the door in inches (NOT mm or cm), and subtract this figure from 36. The remainder tells how much to cut from the push bar.
 - b. Remove the end cap nearest the wire connector from the base unit.
 - c. Cut both the base unit and the aluminum top by the same amount.
 - d. Replace the end cap.
 - e. Double-check the length by holding the push bar and aluminum top against the door.

Installation Cont.

3. Determine the mounting location.
 - a. In most installations, the end with the wire connector should be on the side of the door near the hinges to make it easier to run the wires to the wall.
 - b. The height of the push bar from the floor may be subject to local regulations.
 - c. The best looking installation will have the push bar centered on the door, as measured from the left and right. However, before drilling the holes, make sure the door opens and closes properly. If not, it may be necessary to adjust the push bar to the right or left a bit. (This must be checked with the aluminum top and its end-caps on.)
4. With a pencil, mark the four bolt or screw holes and the hole for the wires on the door, and put the push bar to the side. Note: If the push bar was cut, make sure the end cap on the base unit is set firmly against the base unit before marking the holes.
5. Drill a $\frac{3}{8}$ " (10mm) hole in the door for the wires. Do not drill all the way through the door.
6. Permanently mount the push bar:
 - a. For hollow doors using sex nuts. (see Fig.1)
 - b. Drill four 6mm holes on the inside of the door for the machine screws.
 - c. Drill four 9.8mm holes, one for each bolt, on the outside of the door in the same locations as the four 6mm screw holes.

IMPORTANT: The holes must be 9.8mm. No smaller, no larger.

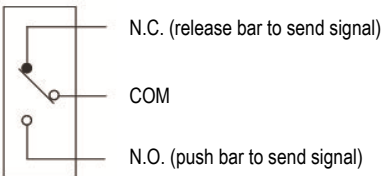
- d. Insert a sex bolt in each of the 9.8mm holes.
 - e. Screw the four machine screws through the push bar into the sex bolts to fix the push bar on the door.
 - f. For wood doors: Screw the push bar onto the door using the four supplied wood screws.
 - g. door using the four supplied wood screws.
7. Run the wires through the door, and connect the wires to the access control device. See below for wiring information.
 8. Replace the two end-caps.



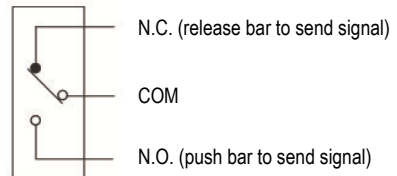
IMPORTANT: One of the end-caps has a square-head bolt under the round plastic cover. That end-cap should be mounted on the end of the push bar away from the wire connector.

Wiring:

Switch 1



Switch 2



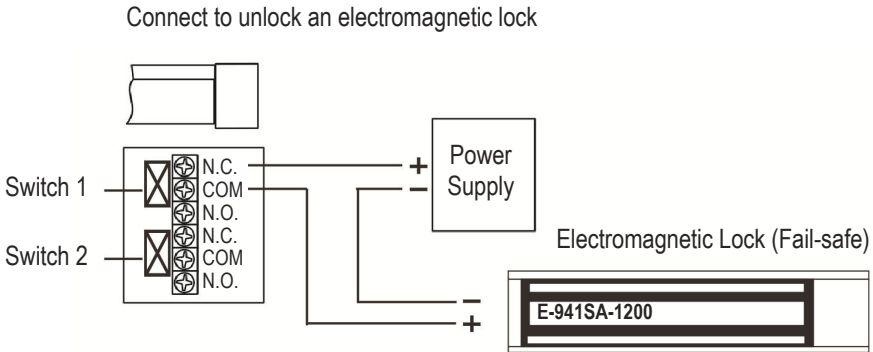
NOTE: For fail-safe electromagnetic locks, connect for push-to-open (N.C. & COM)

ENFORCER Push-to-Exit Bar

Locking the Bar Closed:

Included with the push bar is a miniature key with a square hole. To lock the push bar closed (to allow two-way, uncontrolled access to the protected area), remove the squarehead bolt's round cover, push the bar in all the way, and turn the square-head bolt with the key. To release the bar, turn the square-head bolt again.

Sample Installation:



WARNING: The push bar is not weatherproof. Do not mount on exterior surfaces or where exposed to rain.

IMPORTANT: The height at which the push bar is mounted may be subject to local regulations.

IMPORTANT: It is the responsibility of the installer and/or end-user customer to ensure the SD-961A-36 meets all local regulations regarding the use of push bars for access security, including: Suitability for doors accessed by disabled persons and suitability for fire doors (the push bar is not fire-rated).

WARRANTY: This SECO-LARM product is warranted against defects in material and workmanship while used in normal service for one (1) year from the date of sale to the original customer. SECO-LARM's obligation is limited to the repair or replacement of any defective part if the unit is returned, transportation prepaid, to SECO-LARM. This Warranty is void if damage is caused by or attributed to acts of God, physical or electrical misuse or abuse, neglect, repair or alteration, improper or abnormal usage, or faulty installation, or if for any other reason SECO-LARM determines that such equipment is not operating properly as a result of causes other than defects in material and workmanship. The sole obligation of SECO-LARM and the purchaser's exclusive remedy, shall be limited to the replacement or repair only, at SECO-LARM's option. In no event shall SECO-LARM be liable for any special, collateral, incidental, or consequential personal or property damage of any kind to the purchaser or anyone else.

NOTICE: The SECO-LARM policy is one of continual development and improvement. For that reason, SECO-LARM reserves the right to change specifications without notice. SECO-LARM is also not responsible for misprints. All trademarks are the property of SECO-LARM U.S.A., Inc. or their respective owners. Copyright © 2019 SECO-LARM U.S.A., Inc. All rights reserved.

SECO-LARM® U.S.A., Inc.

16842 Millikan Avenue, Irvine, CA 92606
Phone: (949) 261-2999 | (800) 662-0800

Website: www.seco-larm.com
Email: sales@seco-larm.com

 PITGW1

MI_SD-961A-36_190627.docx