

# SECO-LARM

## Surface-Mount Bracket for SECO-LARM Rim Strikes

SD-998SMB

Installation Manual



## Specifications

Material	Aluminum
Dimensions	1 <sup>11</sup> / <sub>16</sub> "x9x1 <sup>7</sup> / <sub>8</sub> " (42.2x228.5x48.2 mm)
Weight	11.3-oz (320g)

## Parts List

1x Surface-mount bracket	8x Bracket mounting wood screws
2x Strike mounting screws	2x Strike mounting bolts
2x End cap screws	2x Split washers
1x Hex wrench	1x Manual



## Installation

1. Determine the exact vertical location so that the rim strike will properly align with the door latch bolt.
2. Disassemble the bracket and align the L-shaped bracket with the edge of the door jamb (or other mounting location). Use the 2 bracket mounting screws to attach it through the oblong holes on each end (Fig. 1). The holes are designed to allow the bracket up to  $\frac{5}{16}$ " (8mm) of horizontal adjustment (Fig. 2).
3. Remove the rim strike cover. Thread the strike wiring through the bracket wiring hole and mount to the bracket using the included mounting bolts and washers through the oblong holes at each end of the strike (Fig. 3). These holes allow the strike up to  $\frac{1}{8}$ " (3.5mm) horizontal adjustment (Fig. 4).

## Overview

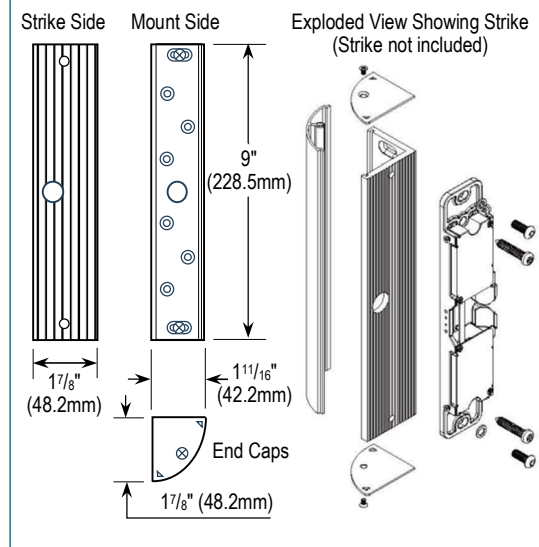


Fig. 1

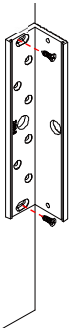


Fig. 2

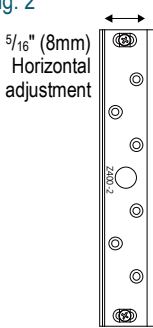


Fig. 3

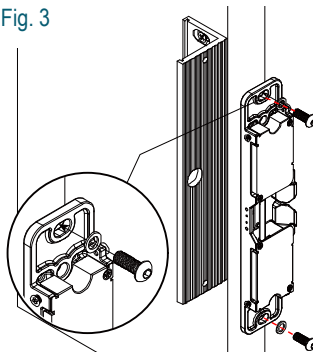
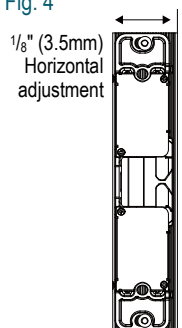


Fig. 4



SECO-LARM™

## Installation (Continued)

4. Test and confirm that the bracket position allows for proper door closing and locking/unlocking and adjust as needed. When correct, fix the location with the remaining 6 bracket mounting screws (Fig. 5).
5. Drill a 1/4" (6mm) wiring outlet hole (Fig. 6). Connect the wiring as described in the strike's manual.
6. Test and confirm the strike's positioning and fix it in place with the 2 provided self-tapping strike mounting screws (Fig. 7). You may need to first drill a pilot hole.
7. Reinstall the rim strike cover (Fig. 8).
8. Attach the brackets cover and 2 end plates with their attachment screws (Fig. 9).
9. Test the door and strike for proper operation.

Fig. 5

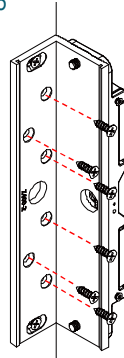


Fig. 6

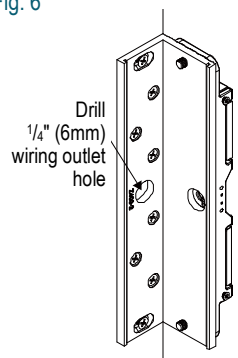


Fig. 7

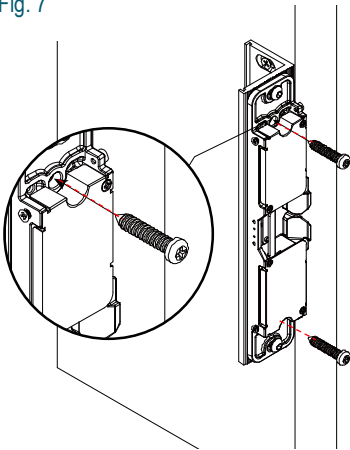


Fig. 8

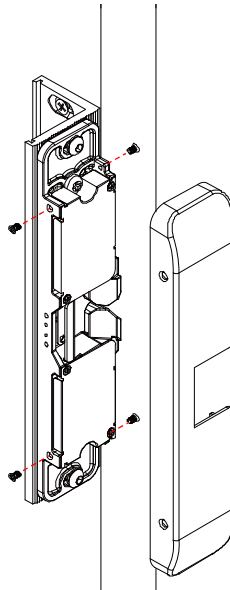
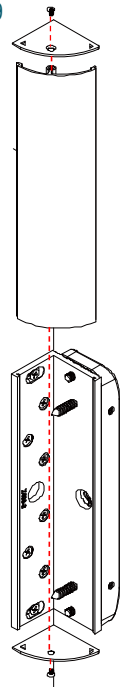


Fig. 9



**California Proposition 65 Warning:** These products may contain chemicals which are known to the State of California to cause cancer and birth defects or other reproductive harm. For more information, go to [www.P65Warnings.ca.gov](http://www.P65Warnings.ca.gov).

**WARRANTY:** This SECO-LARM product is warranted against defects in material and workmanship while used in normal service for one (1) year from the date of sale to the original customer. SECO-LARM's obligation is limited to the repair or replacement of any defective part if the unit is returned, transportation prepaid, to SECO-LARM. This Warranty is void if damage is caused by or attributed to acts of God, physical or electrical misuse or abuse, neglect, repair or alteration, improper or abnormal usage, or faulty installation, or if for any other reason SECO-LARM determines that such equipment is not operating properly as a result of causes other than defects in material and workmanship. The sole obligation of SECO-LARM and the purchaser's exclusive remedy, shall be limited to the replacement or repair only, at SECO-LARM's option. In no event shall SECO-LARM be liable for any special, collateral, incidental, or consequential personal or property damage of any kind to the purchaser or anyone else.

**NOTICE:** The SECO-LARM policy is one of continual development and improvement. For that reason, SECO-LARM reserves the right to change specifications without notice. SECO-LARM is also not responsible for misprints. All trademarks are the property of SECO-LARM U.S.A., Inc. or their respective owners. Copyright © 2024 SECO-LARM U.S.A., Inc. All rights reserved.

**SECO-LARM® U.S.A., Inc.**

16842 Millikan Avenue, Irvine, CA 92606  
Phone: (949) 261-2999 | (800) 662-0800

Website: [www.seco-larm.com](http://www.seco-larm.com)  
Email: [sales@seco-larm.com](mailto:sales@seco-larm.com)

 PITGW1

MI\_SD-998SMB\_240207.docx