

4-in-1 HD to HDMI Converter

VC-3YAQ

Installation Manual



The ENFORCER 4-in-1 HD to HDMI Converter transforms HD-TVI, HD-CVI, HD-AHD, or traditional analog video inputs into an HDMI, VGA, or CVBS signal. The converter also allows for HD analog video loop output, HD analog dual video input, and picture-in-picture modes. The converter is compact and can be mounted nearly anywhere and is a good solution for converting any HD analog video source to an HDMI, VGA, or CVBS signal to allow viewing on a wide range of video monitors.

- Converts HD-TVI, HD-CVI, HD-AHD, or analog/CVBS video to HDMI, VGA, CVBS, or loop output
- Secondary BNC connection supports CVBS conversion, loop output, or dual HD analog video input
- Dual HD Analog video input mode to switch between multiple video inputs
- Wall mountable with included screws
- Picture-in-picture mode when dual HD analog video input used
- HDMI/VGA output support: 480p, 576p, 720p, 1080i, 1080p
- CVBS output support: NTSC, PAL
- CVBS underscan adjustment
- Compact, perfect for plug and play installations
- Quick installation, no driver or operating system requirements

ENFORCER 4-in-1 HD to HDMI Converter

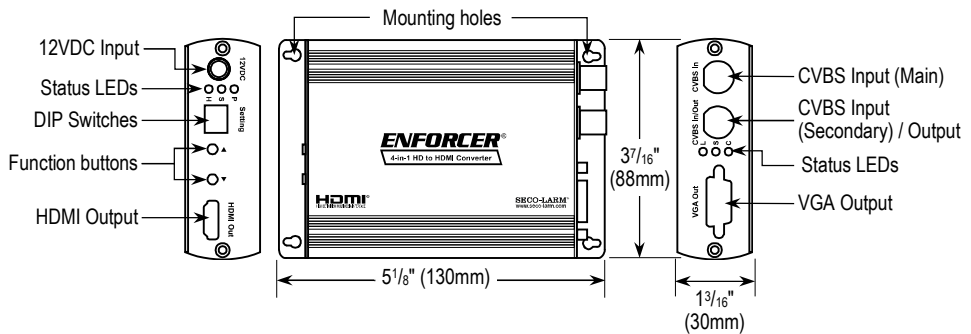
Parts List

1x Converter	1x 12VDC Power adapter	4x Wall-mount screws
4x Wall-mount screw anchors	1x Manual	

Specifications

Input signal	HD-TVI (default), HD-CVI, HD-AHD, NTSC, PAL	
Output signal	HDMI, VGA, CVBS, loop output	
Input resolutions supported	720p@25/30/50/60 Hz, 1080p@25/30 Hz, NTSC, PAL	
Output resolutions supported	HDMI/VGA	480p, 576p, 720p@50/60 Hz, 1080i@50/60 Hz, 1080p@50/60 Hz
	CVBS	NTSC/PAL
	HDMI	Type A 19-pin female
Output connector	VGA	D-SUB 15-pin female
	BNC	75Ω 1Vp-p
	Input connector	BNC (75Ω 1Vp-p)
Maximum input cable length	HD-TVI, HD-CVI, HD-AHD: 984ft (300m); CVBS: 328ft (100m)	
Maximum output cable length	HDMI: 16ft (5m); VGA: 16ft (5m); CVBS: 328ft (100m)	
Power supply	500mA@12VDC	
Power consumption	350mA (max.)	
Operating humidity	Up to 95%	
Operating temperature	32°~131° F (0°~55° C)	
Dimensions	5 1/8" x 3 7/16" x 1 3/16" (130x88x30 mm)	
Weight	9.7-oz (275g)	

Overview



LEDs

The VC-3YAQ has six LEDs that indicate input and output status.

HDMI Output Side		
P	Green	Power input present
S	Blue	Signal (main input)
H	Red	HDMI Output present

VGA Output Side		
L	Green	Loop output mode
S	Blue	Signal (secondary input)
C	Red	CVBS Output mode

DIP Switch Settings and Button Functions

Output Mode	DIP 1	DIP 2	DIP 3	DIP 4	Function Buttons		
					Left ◀	Right ▶	Left + Right ◀▶
Loop output	OFF	OFF	OFF	OFF	Decrease output resolution Switch AHD/CVI (with source video disconnected)*	Increase output resolution	N/A
CVBS output	ON	OFF	OFF	OFF	Decrease CVBS underscan	Increase CVBS underscan	Switch CVBS output 4:3/16:9
Dual input	OFF	ON	OFF	OFF	CVBS Input (main)	CVBS Input (secondary)	Switch 4:3/16:9 (CVBS main input only)
PIP [†] output	OFF	ON	ON	OFF	Adjust PIP positioning counterclockwise	Adjust PIP positioning clockwise	Switch PIP main source
PIP output	OFF	ON	ON	ON	Decrease PIP sizing	Increase PIP sizing	N/A

*With video source connected, the left/right buttons set the output resolution. Disconnect video source to switch between AHD/CVI. The AHD setting covers AHD, TVI, and CVBS. If the image displayed is B&W, check that the input type is correct. Because CVI's display ratio is different, black bars may appear at the sides of the image. Use the DVR or monitor display controls to adjust the display width.

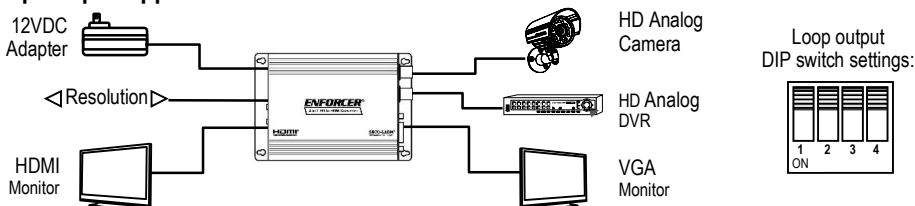
†PIP: Picture-in-Picture (for dual inputs)

Installation

1. Use the DIP switches to set the desired output mode.
2. Plug the VGA, HDMI, and BNC output cables into their respective ports as necessary.
 - a. For loop output or for CVBS output, connect the other end of the BNC output cable to the local DVR or monitor.
 - b. For dual video input, connect the other end of the BNC output cable to the secondary CCTV camera.
3. Plug the 12VDC adapter into the converter.
4. If the input source is CVI, use the right/left buttons to switch the input type (see *DIP Switch Settings and Button Functions* table and notes above).
5. Plug the BNC cable from the CCTV camera to the CVBS Input (Main) BNC connector on the converter.
6. Once all cables are routed use the included mounting screws and mounting screw anchors to permanently mount the unit.
7. Use the function buttons to adjust the output resolution, CVBS underscan, picture-in-picture position, or picture-in-picture size based on the DIP switch settings.
8. If needed, adjust your monitor settings according to the manufacturer's instructions.

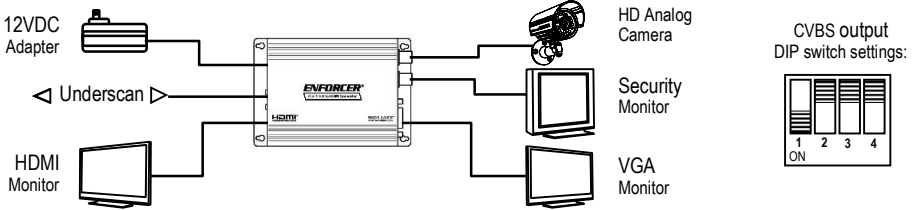
Sample Applications

Loop Output Application

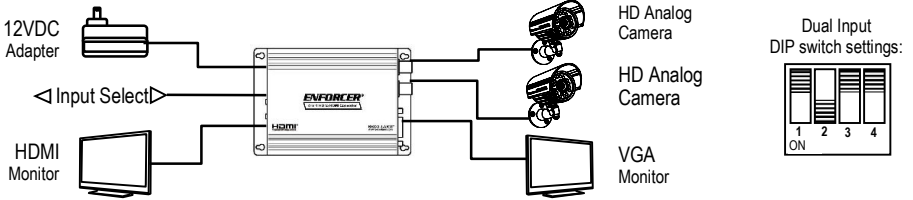


Sample Applications (Continued)

CVBS Output Application



Dual Input Application (Same Cable Connections Also Used for PIP)



Troubleshooting

HDMI or VGA monitor does not display properly

- Make sure that the converter is set for the correct input source type – AHD (including TVI and CVBS) or CVI
- Make sure power, input, and output cables are firmly connected to the converter.
- Make sure the CCTV inputs are turned on.
- Make sure the video output devices are turned on.
- Test the cables between the converter and video output devices to ensure they are functional.

CVI Display does not fill the screen

- Adjust display ratio using the DVR or monitor adjustment control.

HDMI Output side LED not lit

- Ensure relevant connector is firmly connected.

VGA Output side LED not lit

- Ensure correct mode is selected using the DIP switches.

HD-AHD or HD-CVI outputting B&W video

- Disconnect the video source and, with the OSD, use the right/left buttons to change the video source type – AHD (including TVI and CVBS) or CVI.

FCC COMPLIANCE STATEMENT

THIS DEVICE COMPLIES WITH PART 15 OF THE FCC RULES. OPERATION IS SUBJECT TO THE FOLLOWING TWO CONDITIONS: (1) THIS DEVICE MAY NOT CAUSE HARMFUL INTERFERENCE AND (2) THIS DEVICE MUST ACCEPT ANY INTERFERENCE RECEIVED, INCLUDING INTERFERENCE THAT MAY CAUSE UNDESIRE OPERATION.

IMPORTANT: Users and installers of this product are responsible for ensuring this product complies with all national, state, and local laws and statutes related to monitoring and recording audio and video signals. SECO-LARM will not be held responsible for the use of this product in violation of any current laws or statutes.

California Proposition 65 Warning: These products may contain chemicals which are known to the State of California to cause cancer and birth defects or other reproductive harm. For more information, go to www.P65Warnings.ca.gov.

WARRANTY: This SECO-LARM product is warranted against defects in material and workmanship while used in normal service for two (2) years from the date of sale to the original customer. SECO-LARM's obligation is limited to the repair or replacement of any defective part if the unit is returned, transportation prepaid, to SECO-LARM. This Warranty is void if damage is caused by or attributed to acts of God, physical or electrical misuse or abuse, neglect, repair or alteration, improper or abnormal usage, or faulty installation, or if for any other reason SECO-LARM determines that such equipment is not operating properly as a result of causes other than defects in material and workmanship. The sole obligation of SECO-LARM and the purchaser's exclusive remedy, shall be limited to the replacement or repair only, at SECO-LARM's option. In no event shall SECO-LARM be liable for any special, collateral, incidental, or consequential personal or property damage of any kind to the purchaser or anyone else.

NOTICE: The SECO-LARM policy is one of continual development and improvement. For that reason, SECO LARM reserves the right to change specifications without notice. SECO-LARM is also not responsible for misprints. All trademarks are the property of SECO-LARM U.S.A., Inc. or their respective owners. Copyright © 2024 SECO-LARM U.S.A., Inc. All rights reserved.

SECO-LARM® U.S.A., Inc.

16842 Millikan Avenue, Irvine, CA 92606
Phone: (949) 261-2999 | (800) 662-0800

Website: www.seco-larm.com
Email: sales@seco-larm.com

 PITSWA

MI_VC-3YAQ_240122.docx