

ENFORCER®

VG-1C12YQ

4-in-1 HD Ground Loop Isolator

Manual



Features:

- TVI / CVI / AHD / Analog compatible
- Reduces ground loop interference
- BNC terminals for easy installation
- Built-in surge protection
- Prevents video-signal distortion, picture tearing, cross talk, and other picture quality problems
- Passive operation - No external power required

ENFORCER 4-in-1 HD Ground Loop Isolator

Introduction:

The ENFORCER 4-in-1 HD Ground Loop Isolator is a passive device that helps to reduce ground loop interference caused by a difference in ground potential. Ground loop isolators can be deployed in new installations or added to existing installations.

ENFORCER 4-in-1 HD Ground Loop Isolators should be installed on the DVR side of the cable and can be used with standard BNC coax cables or with 4-in-1 HD video baluns.

Parts List:

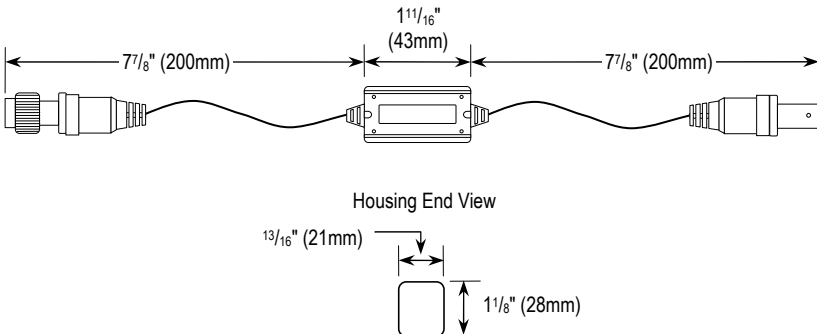
1x HD Ground Loop Isolator

1x Manual

Specifications:

Bandwidth	Video DC to 40MHz	
Insertion loss	≤0.5dB	
Frequency response	5Hz~10MHz	
Isolation voltage	800VDC (min.)	
Insulation resistance	≥100MΩ	
Surge protection	4kV, 10/700μs IEC 61000-4-5/1955	
Connector	In	BNC Male
	Out	BNC Female
Impedance	75Ω (BNC-to-BNC)	
Cable length	7 ⁷ / ₈ " (200mm) each side	
Housing material	ABS Plastic	
Operating humidity	0~95% non-condensing	
Operating temperature	-4°~140° F (-20°~60° C)	
Housing dimensions	1 ¹¹ / ₁₆ "x1 ¹ / ₈ "x1 ¹³ / ₁₆ " (43x28x21 mm)	
Weight	2.0-oz (57g)	

Overview:

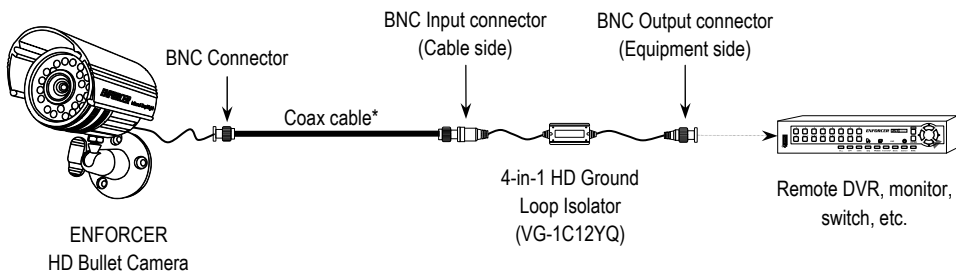


Installation:

1. Detach the video cable BNC connector from the DVR BNC connector.
2. Attach the equipment side of the 4-in-1 HD Ground Loop Isolator to the DVR BNC connector.
3. Attach the video cable BNC connector to the cable side of the 4-in-1 HD Ground Loop Isolator.

Sample Application:

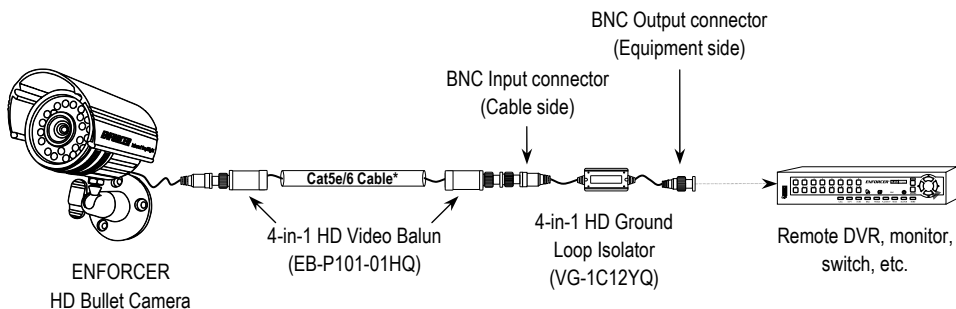
Shorter run using coax cable



*Distance determined by camera and DVR

Sample Application:

Longer run using CAT5e/6 cable and HD video baluns



*Distance determined by camera, DVR, and balun

ENFORCER 4-in-1 HD Ground Loop Isolator

Troubleshooting:

Wavy or ghost image if connected to image processor (e.g., multiplexer or DVR), but not if directly to monitor	<ul style="list-style-type: none">• Move the cable away from possible sources of interference• Ensure that the same twisted pair connects to a balun at both ends of the cable• Replace the cable with a new cable
Image background flutters between dark and light	<ul style="list-style-type: none">• Remove a local power source, or adjust the monitor's brightness and contrast
Image is wavy and shakes	<ul style="list-style-type: none">• Try reversing the polarity of the two wires at one end of the cable
Image is weak or faded	<ul style="list-style-type: none">• Reduce the cable length• Replace with a higher-grade cable. CAT5 cable meets the specifications in the manual. CAT6 cable allows longer range.
No image	<ul style="list-style-type: none">• Double-check that the cables were connected properly• Run a continuity test on all wires in the cable

Also Available from SECO-LARM®:

4-in-1 HD Video Distributors



VA-1102B-WYQ shown

4-in-1 HD Surge Protector



VS-1V12YQ shown

4-in-1 Passive HD Video Baluns



EB-P101-01HQ shown

IMPORTANT: Users and installers of this product are responsible for ensuring this product complies with all national, state, and local laws and statutes related to monitoring and recording audio and video signals. SECO-LARM will not be held responsible for the use of this product in violation of any current laws or statutes.

WARNING: Incorrect mounting which leads to exposure to rain or moisture inside the enclosure could cause a dangerous electric shock, damage the device, and void the warranty. Do not open the case of this device, as there are no field-serviceable components inside.

WARRANTY: This SECO-LARM product is warranted against defects in material and workmanship while used in normal service for one (1) year from the date of sale to the original customer. SECO-LARM's obligation is limited to the repair or replacement of any defective part if the unit is returned, transportation prepaid, to SECO-LARM. This Warranty is void if damage is caused by or attributed to acts of God, physical or electrical misuse or abuse, neglect, repair or alteration, improper or abnormal usage, or faulty installation, or if for any other reason SECO-LARM determines that such equipment is not operating properly as a result of causes other than defects in material and workmanship. The sole obligation of SECO-LARM and the purchaser's exclusive remedy, shall be limited to the replacement or repair only, at SECO-LARM's option. In no event shall SECO-LARM be liable for any special, collateral, incidental, or consequential personal or property damage of any kind to the purchaser or anyone else.

NOTICE: The SECO-LARM policy is one of continual development and improvement. For that reason, SECO-LARM reserves the right to change specifications without notice. SECO-LARM is also not responsible for misprints. All trademarks are the property of SECO-LARM U.S.A., Inc. or their respective owners. Copyright © 2017 SECO-LARM U.S.A., Inc. All rights reserved.

SECO-LARM® U.S.A., Inc.

16842 Millikan Avenue, Irvine, CA 92606
Phone: (949) 261-2999 | (800) 662-0800

Website: www.seco-larm.com
Email: sales@seco-larm.com

 PICFN1
ML_VG-1C12YQ_170315.docx