

16ch, 16 PoE, 16MP Resolution, H.265 NVR



16ch NVR

NR162XPC

- > Fully Adheres to National Defense Authorization Act (NDAA) Guidelines
- > 16ch network recorder with H.265 Compression for Best-in-Class Recording and Storage Capability
- > Supports 2 SATA HDD up to 10TB and has Embedded PoE Switch for all Video Channels
- > Supports recording of up to 16MP Resolution Images
- > Display Images up to 4K(8MP) Resolution on HDMI Output
- > Concurrent Independent Displays on HDMI and VGA Monitor Outputs
- > ONVIF Profile Series S Compliant
- > Easy Plug and Play Functionality with Automatic Device Discovery and Display
- > Supports Cloud Upgrade for NVR and Cameras, with Automatic Detection of Latest Firmware and Upgrades
- > Features Automatic Network Recovery (ANR) Technology to enhance storage reliability when network is disconnected
- > Supported by uniview tec Guard Station Client Software and Guard Viewer Mobile App's for iPhone and Android Devices

www.univiewtechnology.com

Specifications

Video & Audio Inputs	
IP Video Input	16-ch
Audio Input	1-ch, RCA
Network	
Incoming Bandwidth	320Mbps
Outgoing Bandwidth	160Mbps
Remote Users	128
Protocols	TCP/IP, P2P, UPnP, NTP, DHCP, PPPoE, HTTP, HTTPS, DNS, DDNS, SNMP, SMTP, RTSP, IPV6
Supported Browsers	IE(IE10/11) for Windows; Firefox (version 52.0 and above) for Windows; Chrome(version 45 and above) for Windows; Edge(version 79 and above) for Windows
Video & Audio Outputs	
HDMI / VGA Output	HDMI: 3840 x 2160 / 30Hz, 1920 x 1080p / 60Hz, 1920 x 1080p / 50Hz, 1600 x 1200 / 60Hz, 1280 x 1024 / 60Hz, 1280 x 720 / 60Hz, 1024 x 768 / 60Hz VGA: 1920 x 1080p / 60Hz, 1920 x 1080p / 50Hz, 1600 x 1200 / 60Hz, 1280 x 1024 / 60Hz, 1280 x 720 / 60Hz, 1024 x 768 / 60Hz
Recording Resolution	16MP / 12MP / 8MP / 6MP / 5MP / 4MP / 3MP / 1080p / 960p / 720p / D1 / 2CIF / CIF
Audio Output	1-ch, RCA
Audio Compression	G.711A, G.711U
Synchronous Playback	16
Live view display	1 / 4 / 6 / 8 / 9 / 16
Corridor Mode Screen	3 / 4 / 5 / 7 / 9 / 10 / 12 / 16
Snapshot	
FTP/Schedule/Event Snapshot	4-ch snapshot, up to D1 resolution
Decoding	
Decoding format	Ultra 265 / H.265 / H.264
Live view/Playback	16MP / 12MP / 8MP / 6MP / 5MP / 4MP / 3MP / 1080p / 960p / 720p / D1 / 2CIF / CIF
Capability (fps)	Ultra 265 / H.265: 2 x 16MP @30, 2 x 12MP @ 30, 4 x 4K @ 30, 6 x 5MP @ 30, 8 x 4MP @ 30, 10 x 3MP @ 30, 16 x 1080P @ 30 H.264: 2 x 16MP (4800 x 2688) @ 30, 2 x 12MP @ 30, 2 x 4K @ 30, 4 x 5MP @ 30, 6 x 4MP @ 30, 8 x 3MP @ 30, 14 x 1080P @ 30

NR162XPC 16ch NVR

Network Recorders

Hard Disk Drives	
SATA	2 SATA Interfaces
Capacity	Up to 10TB for each HDD
Smart Features	
VCA Detection by Camera	Face Detection, Face Comparison, Vehicle Detection, Intrusion Detection, Cross Line Detection, Enter Area, Leave Area, Temperature Detection(Fire Detection, Smoking Detection, Temperature Measurement, Smoke and Fire Detection), UMD(Ultra Motion Detection), Video Metadata, Traffic Monitoring
VCA Search	Face Snapshot Search, Face Comparison Search, Motor Vehicle Search, Non-Motor Vehicle Search, Human Body Search, General Search, People Counting Report
People counting	People Flow Counting, Crowd Density Monitoring
Smart Intrusion Prevention (SIP), Face Detection, Face Comparison, Vehicle Detection, UMD, Video Metadata, Traffic Monitoring by Camera	8-ch
System Alarm	
General Alarm	Defocus Detection, Scene Change Detection, Object Left Behind, Object Removed, Auto Tracking, Motion, Tampering, Human Body Detection, Video Loss, Alarm Input, Audio Detection
Alert Alarm	IP Conflict, Network Disconnected, Disk Offline , Disk Abnormal, Illegal Access, Hard Disk Space Low, Hard Disk Full, Recording / Snapshot Abnormal
External Interface	
Network Interface	1 x RJ45 10M/100M/1000M self-adaptive Ethernet Interface
USB Interface	Front panel: 1 x USB2.0; Rear panel: 1 x USB3.0
RS485	1
Alarm In	8-ch
Alarm Out	2-ch
PoE	
Interface	16 x RJ-45 10M/100M self-adaptive Ethernet Interface
Max Power	Max 30W for single port Max 240W in total
Supported Standard	IEEE 802.3af/at
General	
Power Supply	100~240V AC; Power Consumption: ≤ 20W (without HDD)
Working Environment	-10°C ~ + 55°C (+14°F ~ +131°F), Humidity ≤ 90% RH(non-condensing)
Dimensions (W × D × H)	380 × 322 × 53mm (15.0 × 12.7 × 2.1")
Weight (without HDD)	≤ 2.6Kg (5.73lb)
General	
Certifications	FCC, CE (UL – Power Supply only)

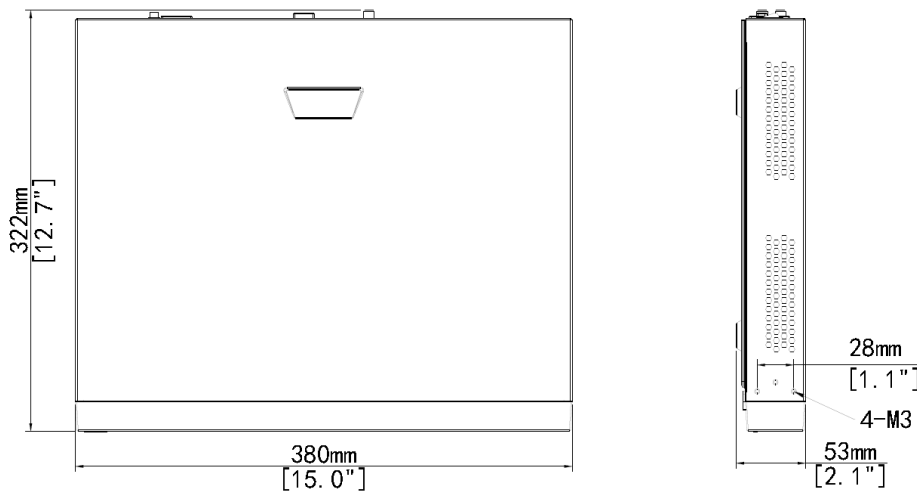
Accessories

LB3L	NVR Lockbox
RCKERS1	Rack Ears
4KTESTMON1	Multi-Function Video Test Monitor

Models

NR162XPC-2T	NR162XPC-4T
NR162XPC-8T	NR162XPC-16T
NR162XPC-20T	

Dimensions



Rear Panel View

