



PAR-ALLELEV29

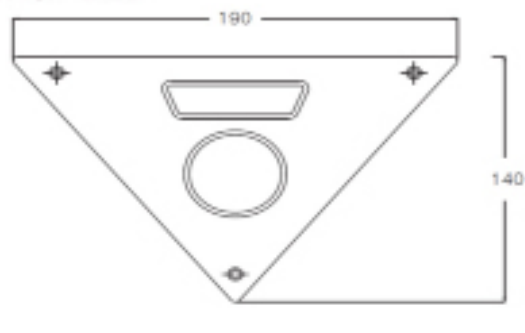
2 Megapixel TVI/AHD/CVI/CVBS, Indoor Metal Plate Elevator Camera with Covert 32' IR Range, D-WDR, 12VDC

Features

- 2 Megapixel Resolution
- Full Metal Front Cover
- True Day/Night with Covert IR Range up to 32'
- D-WDR
- Up The Cable (UTC) Function
- Indoor Only
- 3D DNR (Digital Noise Reduction)
- Sens-Up Option (x30 max)
- 12VDC Operation
- OSD Control
- Free iOS & Android Apps for Smart Phones & Tablets Free Central Management Software (CMS) Free MAC Client
- NDAA Compliant

Model	PAR-ALLELEV29
Image Sensor	1/2.8" Sony IMX322 CMOS image sensor
Total Pixel	1956(H) x 1266(V) 2.4M pixels
Active Pixel	1944(H) x 1092(V) 2.1M pixels
Resolution	1080p
Min. Illumination	0.0001 lux at IR on
Scanning System	Progressive
Video Output	4-in-1 (TVI/CVI/AHD/CVBS)
S/N Ratio	More than 50dB (AGC off)
AGC	Off/0 – 15
Shutter Speed	AUTO/MANUAL(1/50(60) ~ 1/50,000 sec)
SENS-UP	Off/X2 – X30
Brightness	0 - 100
Backlight	OFF/BLC/HSBLC
D-WDR	OFF/ON/AUTO
Defog	Off/Auto
Day & Night	Auto/Color/B&W/EXTERN
White Balance	ATW/AWC/INDDOR/OUTDOOR/Manual/AWB
DNR	Off/Low/Middle/High
Mirror	Off/MIRROR/V-FLIP/ROTATE
Sharpness	0 -10 steps
Privacy Mask	4 Masks
Motion Detection	Off/On
Language	English/Chinese/Germany/French/Italian/Spanish/Polish/Russian/Portuguese/ Netherlands(Dutch)/Turkish
Power Source	DC12V ±10%
Power Consumption	Max 4.0 Watt at IR on Max 1.0 Watt at IR off
Operating Temperature	14°F ~ 122°F (-10°C ~ 50°C)
Operating Humidity	10% to 85%
Lens	2.9mm MP lens
Dimension	7.4 x 5.5 x 1.66 in (190 x 140 x 42.3 mm)
Weight	.85lbs (390g)

With LED



Ordering Information

PAR-ALLELEV29: 2 Megapixel Indoor Elevator Camera

InVid Tech, reserves the right to make changes to improve our products at any time without notice; we are not responsible for misprints.