

L-Series, Indoor Strobes and Horn Strobes

Indoor Selectable-Output Strobes/Horn Strobes for Ceiling Applications

General

The L-Series audible visible notification products offer the most versatile and easy-to-use product line of horns, strobes, and horn strobes in the industry. This product includes lower current draws and a modern aesthetic design which reduce installation times and maximize profits. In addition, the L-Series offers white and red plastic housings and wall and ceiling mounting options.

Similar to the entire L-Series product line, the ceiling-mount strobes and horn strobes include a variety of features that increase their application versatility while simplifying the installation. All devices offer a plug-in design so that there is minimal intrusion into the backbox. These features make installations fast and foolproof while eliminating costly and time-consuming ground faults.

To simplify the installation, the L-Series uses a universal mounting plate allowing you to mount the devices to a wide array of backboxes. With an on-board shorting spring, installers can test wiring continuity before the device is installed.

Installers can also easily adapt devices to suit a wide range of application requirements using the following:

- Field-selectable candela settings
- Automatic selection of 12- or 24-volt operation
- Rotary switch for horn tones with two volume selections



Ceiling Horn Strobe

FEATURES & BENEFITS

- | | | | | |
|--|---|---|---|---|
| <ul style="list-style-type: none"> • Listed for ceiling mounting only • Features a plug-in design so that there is minimal intrusion into the backbox • Designed with a tamper-resistant construction • Provides an automatic selection of 12- or 24-volt operation at 15 and 30 candela | <ul style="list-style-type: none"> • Uses field-selectable candela settings on the following ceiling units: <ul style="list-style-type: none"> - 15 - 30 - 75 - 95 - 115 - 150 - 177 | <ul style="list-style-type: none"> • Produces horn rated at 88+ dBA at 16 volts • Offers a rotary switch for horn tone and two volume selections • Includes a universal mounting plate for ceiling units | <ul style="list-style-type: none"> • Contains a mounting plate with a shorting spring feature that checks the wiring continuity before device installation • Compatible with MDL3 sync module | <ul style="list-style-type: none"> • Supports electrical compatibility with the legacy SpectrAlert and the SpectrAlert Advance devices |
|--|---|---|---|---|

Architect/Engineer Specifications

General

The L-Series ceiling-mount strobes and horn strobes shall mount to any of the following:

- double-gang backbox
- 4-inch octagon backbox
- a standard 4 x 4 x 1 1/2-inch backbox

Two-wire products shall also mount to a single-gang compact 2 x 4 x 1 7/8-inch backbox. A universal mounting plate shall be used for mounting ceiling and wall products. The notification appliance circuit wiring shall terminate at the universal mounting plate.

Also, the L-Series products, when used with the Sync•Circuit Module accessory, shall be powered from a non-coded notification appliance circuit output and shall operate on a nominal 12 or 24 volts. When it is used with the Sync•Circuit Module, the following occur:

- 12-volt-rated notification appliance circuit outputs shall operate between 8.5 and 17.5 volts.
- 24-volt-rated notification appliance circuit outputs shall operate between 16.5 and 33 volts.

The Indoor L-Series products shall operate between 32 and 120 degrees Fahrenheit from a regulated DC or full-wave rectified unfiltered power supply.

Ceiling strobes and horn strobes shall have the following field-selectable candela settings including:

- 15 • 30 • 75 • 95
- 115 • 150 • 177

Strobe

The strobe shall be an L-Series Model _____ listed to UL Standard 1971 and shall be approved for fire protective service. The strobe shall be wired as a primary-signaling notification appliance and comply with the Americans with Disabilities Act requirements for visible signaling appliances, flashing at 1 Hz over the strobe’s entire operating voltage range. The strobe light shall consist of a xenon flash tube and associated lens/reflector system.

Horn Strobe Combination

The horn strobe shall be an L-Series Model _____ listed to UL Standard 1971 and UL Standard 464 and shall be approved for fire protective service. The horn strobe shall be wired as a primary-signaling notification appliance and comply with the Americans with Disabilities Act requirements for visible signaling appliances, flashing at 1 Hz over the strobe’s entire operating voltage range. The strobe light shall consist of a xenon flash tube and associated lens/reflector system. The horn shall have two audibility options and an option to switch between a temporal three pattern and a non-temporal (continuous) pattern. These options are set by a multiple position switch. The horn on horn strobe models shall operate on a coded or non-coded power supply.

Synchronization Module

The module shall be a Sync•Circuit model MDL3 listed to UL Standard 464 and shall be approved for fire protective service. The module shall synchronize the L-Series strobes at 1 Hz and synchronize horns at temporal three. Also, while operating the strobes, the module shall silence the horns on horn strobe models over a single-pair of wires.

The module shall mount to a 4 11/16 x 4 11/16 x 2 1/8-inch backbox. The module shall also control two Style Y (Class B) circuits or one Style Z (Class A) circuit. The module shall synchronize multiple zones. Daisy-chaining two or more synchronization modules together will synchronize all the zones they control. The module shall not operate on a coded power supply.

UL Current Draw

Table 1 lists the UL maximum strobe current draw.

Candela	8-17.5 Volts	16-33 Volts	FWR
	DC	DC	
15	87	41	60
30	153	63	86
75	N/A	111	142
95	N/A	134	164
115	N/A	158	191
150	N/A	189	228
177	N/A	226	264

Table 1: UL Maximum Strobe Current Draw (mA RMS)

UL Current Draw Data

Table 2 lists the maximum UL Current Draw (mA RMS) allowed for 2-Wire Horn Strobes.

DC Input	8-17.5 Volts		16-33 Volts						
	15cd	30cd	15cd	30cd	75cd	95cd	115cd	150cd	177cd
Temporal High	103	167	71	90	143	165	187	217	254
Temporal Low	96	165	54	71	137	161	185	211	249
Non-Temporal High	106	173	71	90	141	165	187	230	273
Non-Temporal Low	95	166	54	71	124	161	170	216	258
3.1K Temp Hi	111	164	69	94	147	163	184	229	257
3.1K Temp Low	103	163	54	88	143	155	185	212	252
3.1K Non-Temporal High	111	172	69	94	144	164	202	229	271
3.1K Non-Temporal	103	169	54	88	131	155	187	217	259
	16-33 Volts								
FWR Input	15cd	30cd	75cd		95cd	115cd	150cd	177cd	
Temporal High	107	135	179		198	223	254	286	
Temporal Low	78	101	151		172	199	229	262	
Non-Temporal High	107	135	179		198	223	254	286	
Non-Temporal Low	78	101	151		172	199	229	262	
3.1K Temporal High	108	135	179		200	225	256	289	
3.1K Temporal Low	79	101	150		171	196	229	260	
3.1K Non-Temporal High	108	135	179		200	225	255	289	
3.1K Non-Temporal Low	79	101	150		171	196	229	260	

Table 2 UL Max. Current Draw (mA RMS), 2-Wire Horn Strobe

Horn Strobe Tones and Sound Output Data

Table 3 lists the horn strobe tones and sound output data.

Switch Position	Sound Pattern	dB	8-17.5 Volts	16-33 Volts	FWR
			DC	DC	
1	Temporal	High	84	89	89
2	Temporal	Low	75	83	83
3	Non-Temporal	High	85	90	90
4	Non-Temporal	Low	76	84	84
5	3.1 KHz Temporal	High	83	88	88
6	3.1 KHz Temporal	Low	76	82	82
7	3.1 KHz Non-Temporal	High	84	89	89
8	3.1 KHz Non-Temporal	Low	77	83	83

Table 3: Horn Strobe Tones and Sound Output Data

L-Series Dimensions

Figure 1 illustrates the dimensions for the ceiling-mount horn strobes.

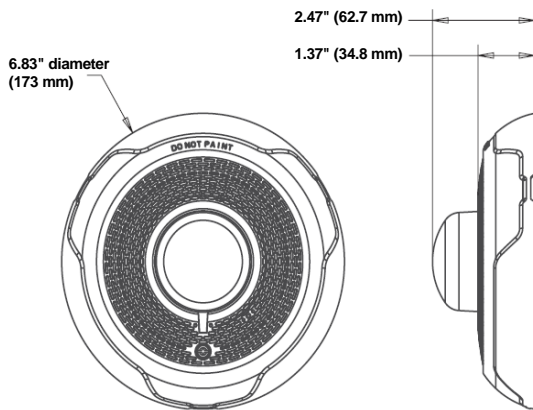


Figure 1 Ceiling-Mount Horn Strobes

L-Series Dimensions

Figure 2 illustrates the dimensions for the ceiling backbox surface mount backbox.

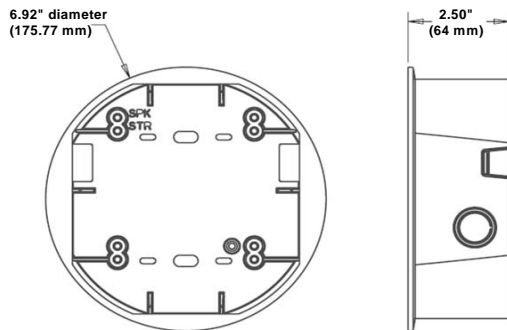


Figure 2 Ceiling-Surface-Mount Backbox

L-Series Ordering Information

Ceiling Horn Strobes:

PC2RL: 2-Wire, Horn Strobe, Red

PC2WL: 2-Wire, Horn Strobe, White

PC4RL: 4-Wire Ceiling Horn Strobe, Red, FIRE

PC4WL: 4Wire Ceiling Horn Strobe, White, FIRE

Ceiling Strobes:

SCRL: Strobe, Red

SCWL: Strobe, White

SCWL-CLR-ALERT: Strobe, White, ALERT

L- Series Dimensions

Figure 3 illustrates the dimensions for the ceiling backbox surface mount backbox.

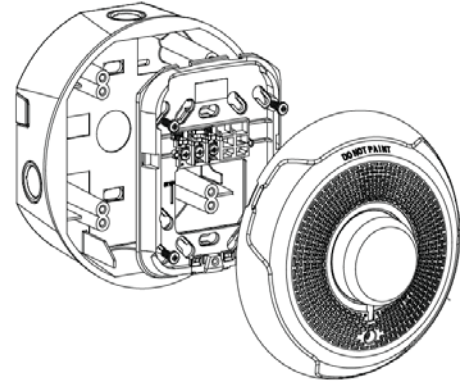


Figure 3 2-Wire Ceiling Mount Horn Strobes with Ceiling Surface Mount Backbox

SL Series Dimensions

Figure 4 illustrates the dimensions for the ceiling backbox surface mount backbox.

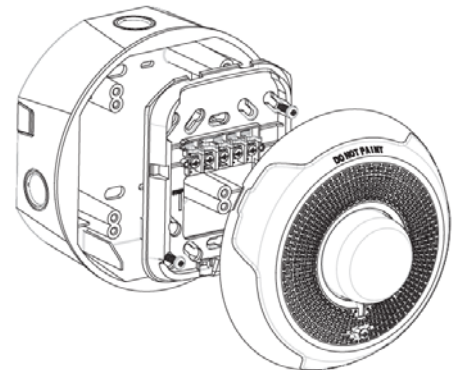


Figure 4 4-Wire Ceiling Mount Horn Strobes with Ceiling Surface Mount Backbox

L-Series Ordering Information

Accessories:

TRC-2: Universal Ceiling Trim Ring Red

TRC-2W: Universal Ceiling Trim Ring White

SBBCRL: Ceiling Surface Mount Back Box, Red

SBBCWL: Ceiling Surface Mount Back Box, White

L-Series, Indoor Strobes and Horn Strobes Technical Specifications

SYSTEMS

Temperature Ranges:

Standard Operating Temperature: 32°F to 120°F (0°C to 49°C)

Humidity Range: 10 to 93% non-condensing

Voltag es:

Strobe Flash Rate: 1 flash per second

Nominal Voltage: Regulated 12 VDC or regulated 24 DC/FWR¹

Operating Voltage Range²: 8 to 17.5 V (12 V nominal) or 16 to 33 V (24 V nominal)

Operating Voltage Range (MDL3): 8.5 to 17.5V(12 V nominal) or 16.5 to 33 V(24V nominal)

Wire Gage:

Input Terminal Wire Gauge: 12 to 18 AWG

Dimensions:

Ceiling-Mount Dimensions (including lens): 6.8" diameter x 2.5" high (173 mm diameter x 64 mm high)

Ceiling-Mount Surface Mount Back Box Skirt Dimensions (SBBCR, SBBCW): 6.9" diameter x 3.4" high (175 mm diameter x 86 mm high)

Notes:

1. Full Wave Rectified (FWR) voltage is a non-regulated, time-varying power source that is used on some power supply and panel outputs.
2. P, S, PC, and SC products will operate at 12 V nominal only for 15 and 30 cd.

TEMPERATURE AND HUMIDITY RANGES

This system meets NFPA requirements for operation at 0 – 49°C/32 – 120°F and at a relative humidity 93% ± 2% RH (noncondensing) at 32°C ± 2°C (90°F ± 3°F).

However, the useful life of the system's standby batteries and the electronic components may be adversely affected by extreme temperature ranges and humidity. Therefore, it is recommended that this system and its peripherals be installed in an environment with a normal room temperature of 15 – 27°C/60 – 80°F.

STANDARDS

The L-Series, Ceiling Strobes and Horn Strobes are designed to comply with the following standard:

UL Standard: UL 1971 and UL 464

AGENCY LISTINGS AND APPROVALS

These listings and approvals apply to the modules specified in this document. In some cases, certain modules or applications may not be listed by certain approval agencies, or listing may be in process. Consult factory for latest listing status.

UL: S5512, S4011

CSFM: 7135-1653:0503
7125-1653:0504

ISO 9001 Certification

For a complete listing of all compliance approvals and certifications, please visit: <http://www.gamewell-fci.com/en-US/documentation/Pages/Listings.aspx>

E3 Series® and Gamewell-FCI® are registered trademarks of Honeywell International Inc.

UL® is a registered trademark of Underwriter's Laboratories Inc.

This document is not intended to be used for installation purposes. We try to keep our product information up-to-date and accurate. We cannot cover all specific applications or anticipate all requirements. All specifications are subject to change without notice.

For more information

Learn more about Gamewell-FCI's L-Series, Indoor Strobes and Horn Strobes and other products available by visiting www.Gamewell-FCI.com

Honeywell Gamewell-FCI

12 Clintonville Road
Northford, CT 06472-1610
203.484.7161
www.honeywell.com

9021-60928 | C | 03/18
©2018 Honeywell International Inc.

Honeywell