



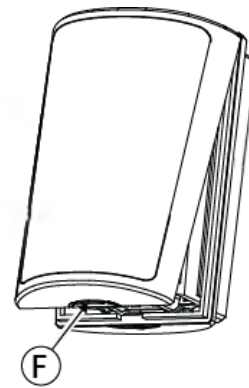
Installation Tips

■ Installation conditions

1. Keep away from heat sources
2. Do not expose to air drafts
3. Do not install outdoors
4. Avoid installation in direct sunshine
5. Do not install near high-voltage electrical lines
6. Do not install behind partitions
7. Mount on a solid stable surface

■ Opening the detector

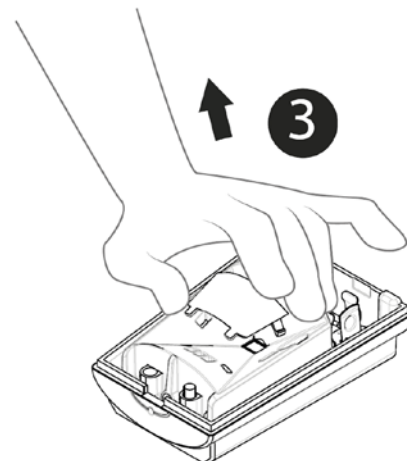
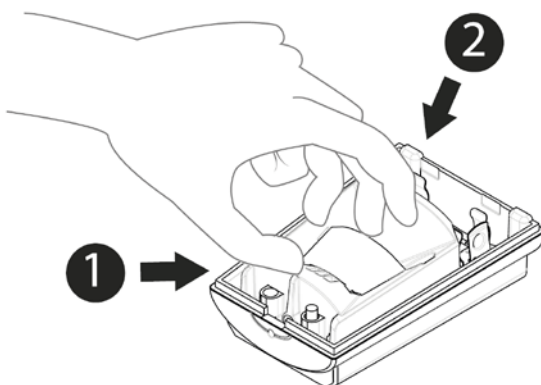
Using your fingers only, press on the point marked "F" in the drawing, and separate the cover from the base. Do not use a screwdriver.



■ Removing the pet mask

Remove the pet mask (the plastic guard) if pet immunity is not required.

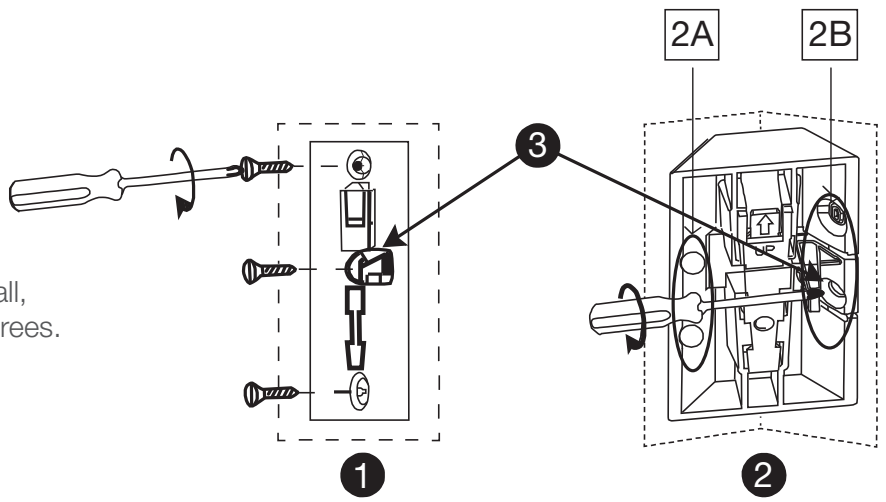
1. Place your thumb at the base of the pet mask
2. Place your fingers at the top of the pet mask
3. Lift the pet mask to remove



■ Using brackets (surface or corner)

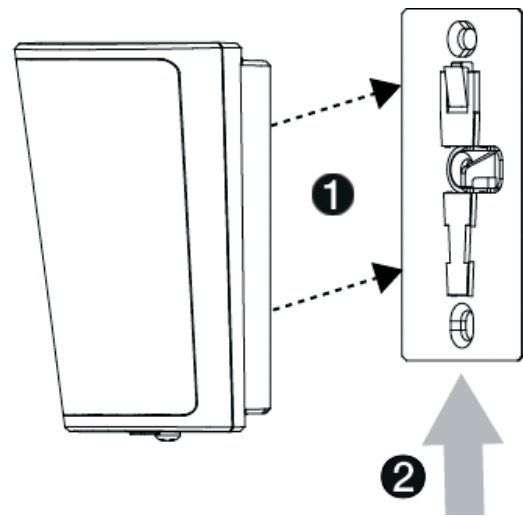
Follow the instructions in the diagram depending on what mounting method is preferred. In corner installations, to prevent a gap on one side from the wall, first verify that the wall angle is 90 degrees.

1. Surface mounting
2. Corner mounting, use 2A or 2B
3. For back tamper



■ Mounting the detector on a bracket

1. Align the detector with the bracket
2. Slide the detector upward until you hear a click



■ Disassembly from the bracket

1. Release the screw (if a screw was used for the installation)
2. Separate the cover from the base
3. Remove the battery
4. Press on the stopper snap to release the base from the bracket
5. Slide the base downward to remove

