

### Electromagnetic Gate Locks with Weldable Brackets

#### E-942FC-600SQ

600-lb Holding force, face mount

#### E-942FC-1K3SQ

1,200-lb Holding force, face mount

#### E-946FC-1K2SQ

1,200-lb Holding force, side (surface) mount

Electromagnetic Gate Locks with brackets for armature and magnet. Three versions for different mounting applications. The E-942FC-600SQ and E-942FC-1K3SQ are primarily designed for swinging gates while the E-946FC-1K2SQ is primarily designed for sliding gates.

#### Features:

- For most types of outdoor sliding and swinging electric gates.
- Can be welded or bolted directly to gate.
- Brackets are zinc-plated for corrosion resistance.
- Black finish to match most gates.
- Water-and vandal-resistant attractive stainless-steel finish.
- Maintenance-free, factory-sealed design.
- Fail-safe operation (releases if power is removed).
- Mount vertically or horizontally.
- Four knockouts on junction box.
- Adapter and mounting hardware included.



E-942FC-600SQ



E-942FC-1K3SQ



E-946FC-1K2SQ

#### Specifications:

E-942FC-1K3SQ, E-946FC-1K2SQ		E-942FC-600SQ	
Operating voltage	12/24 VDC	Operating voltage	12/24 VDC
Holding force	1,200-lb (544kg)	Holding force	600-lb (272kg)
Current draw	12V 500mA	Current draw	12V 500mA
	24V 250mA		24V 250mA
Weight (approx.)		Weight (approx.)	
Total	16.1-lb (7.3kg)	Total	10.4-lb (4.7kg)
Maglock & armature	11-lb (5kg)	Maglock & armature	6.4-lb (2.9kg)
Bracket	5-lb (2.3kg)	Bracket	3.95-lb (1.8kg)
Certifications	cUL, UL, CE, RoHS (magnetic lock only)	Certifications	cUL, UL, CE, RoHS (magnetic lock only)

**SECO-LARM® U.S.A., Inc.**

16842 Millikan Avenue, Irvine, CA 92606

Phone: (949) 261-2999 | (800) 662-0800 Fax: (949) 261-7326

Website: [www.seco-larm.com](http://www.seco-larm.com) Email: [sales@seco-larm.com](mailto:sales@seco-larm.com)



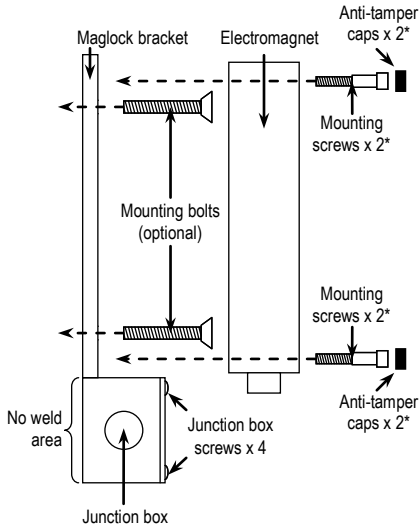
Copyright 2015 © SECO-LARM U.S.A., Inc. All rights reserved. All trademarks are the property of SECO-LARM U.S.A., Inc. or their respective owners. The SECO-LARM policy is one of continual development. For that reason, SECO-LARM reserves the right to change prices and specifications without notice. SECO-LARM is not responsible for misprints.

**SECO-LARM® ENFORCER® CRIMEBUSTER® CBA SLI**

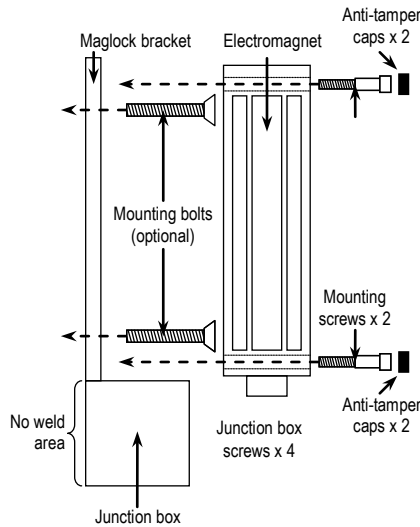


## Mounting Diagram:

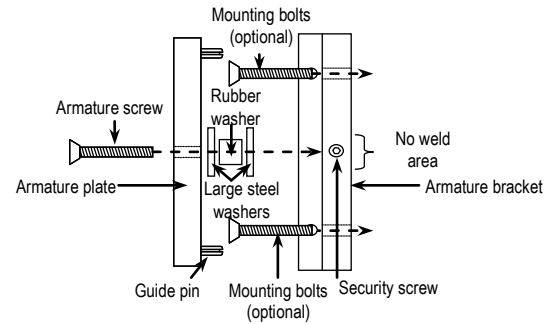
**E-942FC-1K3SQ, E-942FC-600SQ**  
(Face Mount)



**E-946FC-1K2SQ** (Surface Mount)



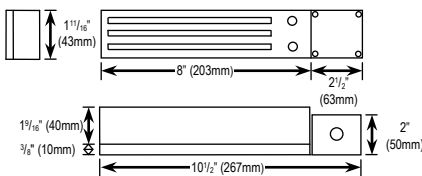
**Armature Mounting (All models)**



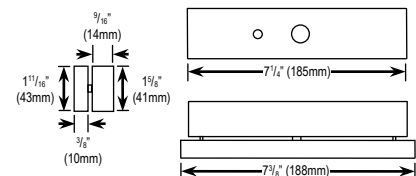
## Dimensions:

**E-942FC-600SQ**

**Magnetic Lock and Bracket**

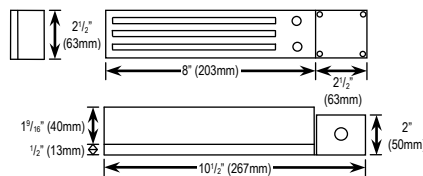


**Armature Plate and Bracket**

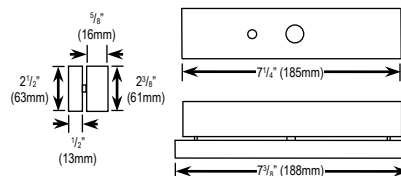


**E-942FC-1K3SQ**

**Magnetic Lock and Bracket**

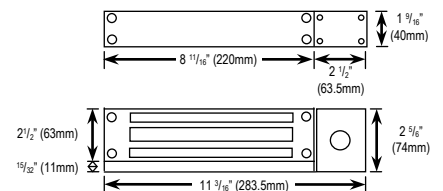


**Armature Plate and Bracket**

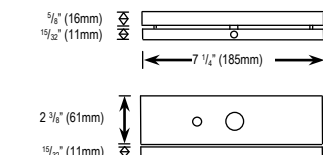


**E-946FC-1K2SQ**

**Magnetic Lock and Bracket**

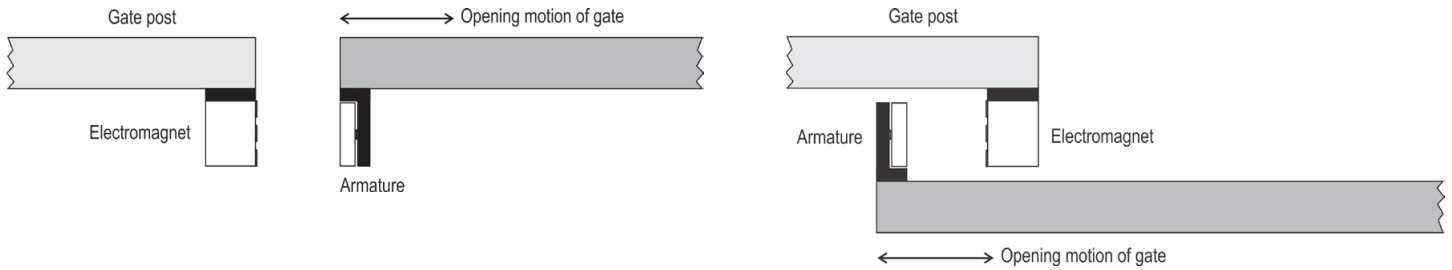


**Armature Plate and Bracket**

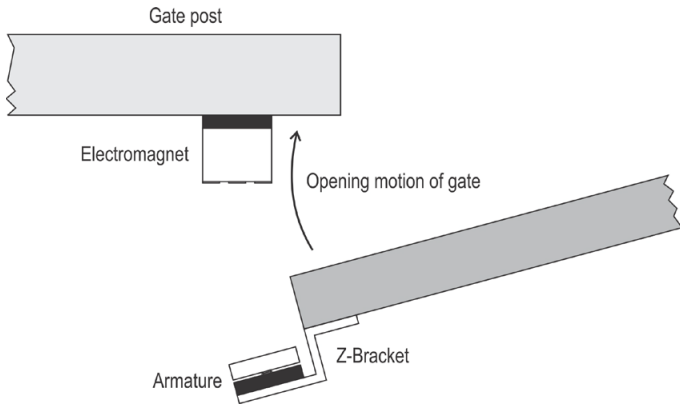


### Sample Applications:

For sliding gates (E-946FC-1K2SQ):



For swinging gates (E-942FC-600SQ and E-942FC-1K3SQ):



### Also Available from SECO-LARM®:



**E-942FC-600**

600-lb Gate Lock

Face mount for swinging gates



**E-942FC-1300**

1,200-lb Gate Lock

Face mount for swinging gates



**E-946FC-600Q**

600-lb Gate Lock

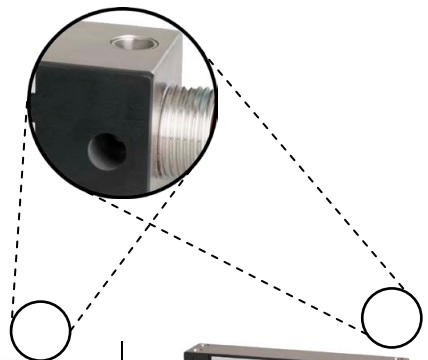
Face or surface mount for swinging or sliding gates



**E-946FC-1K2Q**

1,200-lb Gate Lock

Face or surface mount for swinging or sliding gates



### SECO-LARM® U.S.A., Inc.

16842 Millikan Avenue, Irvine, CA 92606

Phone: (949) 261-2999 | (800) 662-0800 Fax: (949) 261-7326

Website: [www.seco-larm.com](http://www.seco-larm.com) Email: [sales@seco-larm.com](mailto:sales@seco-larm.com)



Copyright 2015 © SECO-LARM U.S.A., Inc. All rights reserved.  
 All trademarks are the property of SECO-LARM U.S.A., Inc. or their respective owners.  
 The SECO-LARM policy is one of continual development. For that reason, SECO-LARM reserves the right to change prices and specifications without notice. SECO-LARM is not responsible for misprints.  
**SECO-LARM® ENFORCER® CRIMEBUSTER® CBA SLI**

