

Weather-Resistant Mushroom-Cap Request-to-Exit Plate



Intertek
5024193
Conforms to
UL Std. 294

SD-7201GCPE1Q*

Green button, "EXIT" and "SALIDA", SPDT

SD-7201GC-PEQ*

Green button, "PUSH TO EXIT", SPDT

SD-7201GFPE1Q

Green button, "EXIT" and "SALIDA", DPDT

SD-7201GAPT1Q*

Green button, "EXIT" and "SALIDA", SPDT, Timer

SD-7217GWQ

Green button, SPDT, with white plate

SD-7201RCPE1Q*

Red button, "EXIT" and "SALIDA", SPDT



SD-7201GC-PEQ

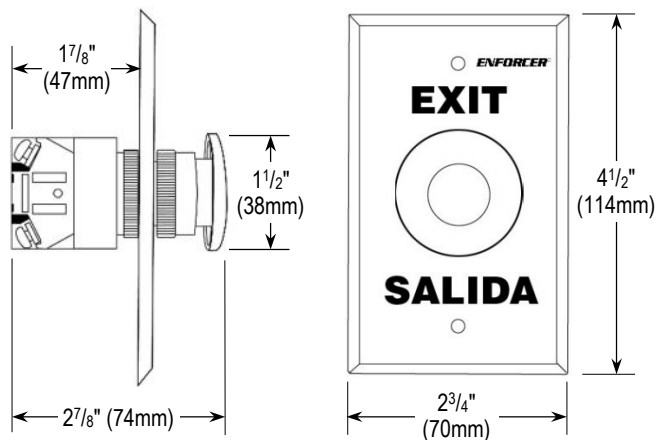


SD-7201GCPE1Q
SD-7201GFPE1Q
SD-7201GAPT1Q

Features

- ETL, Conforms to UL Std. 294*
- Weather-resistant mushroom-cap push-button is ideal for a number of outdoor access situations
- 1 1/2" (38mm) diameter mushroom-cap (green or red)
- Single-gang plate
- Contact rating: 50A@24VAC, 3A@24VDC†

Dimensions



*Conforms to UL Std. 294

†SD-7201GAPT1Q only



SD-7217GWQ



SD-7201RCPE1Q

Please read the manual carefully before beginning installation.

SECO-LARM® U.S.A., Inc.

16842 Millikan Avenue, Irvine, CA 92606

Phone: (949) 261-2999 | (800) 662-0800 Fax: (949) 261-7326

Website: www.seco-larm.com Email: sales@seco-larm.com



Copyright © 2023 SECO-LARM U.S.A., Inc. All rights reserved.
All trademarks are the property of SECO-LARM U.S.A., Inc. or their respective owners.
The SECO-LARM policy is one of continual development. For that reason, SECO-LARM reserves the right to change prices and specifications without notice. SECO-LARM is not responsible for misprints.

SECO-LARM® ENFORCER® CRIMEBUSTER® CBA® SLI®

PI_SD-7201series_231026_ML.docx

Placas tipo Hongo Resistente a la Intemperie



SD-7201GCPE1Q*

Botón verde, "EXIT" y "SALIDA", SPDT

SD-7201GC-PEQ*

Botón verde, "PUSH TO EXIT", SPDT

SD-7201GFPE1Q

Botón verde, "EXIT" y "SALIDA", DPDT

SD-7201GAPT1Q*

Botón verde, "EXIT" y "SALIDA", SPDT, Temporizador

SD-7217GWQ

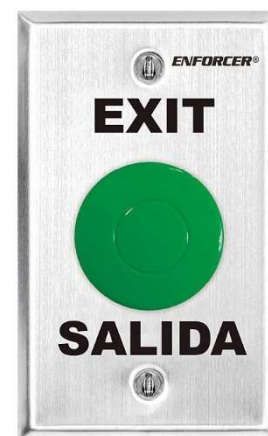
Botón verde, SPDT, con placa Blanco

SD-7201RCPE1Q*

Botón rojo, "EXIT" y "SALIDA", SPDT



SD-7201GC-PEQ

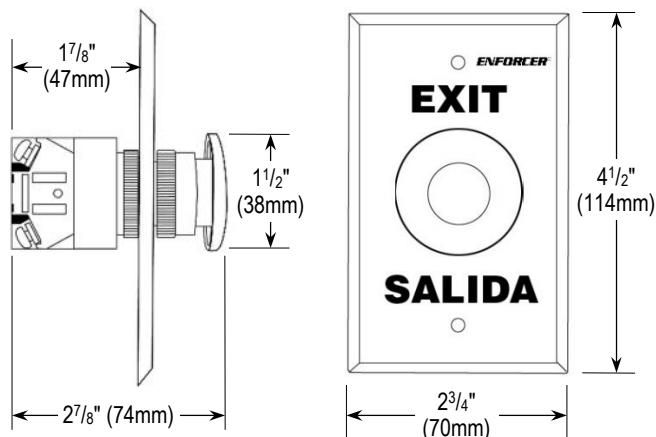


SD-7201GCPE1Q
SD-7201GFPE1Q
SD-7201GAPT1Q

Características

- ETL, cumple con el estándar UL. 294*
- Placa tipo hongo resistente a la intemperie es idea para arias situaciones de acceso exterior
- Botón en forma de hongo (verde o rojo) de diámetro 1 1/2" (38mm)
- La cara de la placa es de acero inoxidable
- Ambas palabras "EXIT" y "SALIDA" están escritas en la placa
- Consumo de corriente: 50A@24VCA, 3A@24V C.C.†

Dimensiones



*Conforms to UL Std. 294

†SD-7201GAPT1Q solamente



SD-7217GWQ



SD-7201RCPE1Q

Por favor lea el manual antes de usar el equipo.

SECO-LARM® U.S.A., Inc.

16842 Millikan Avenue, Irvine, CA 92606

Phone: (949) 261-2999 | (800) 662-0800 Fax: (949) 261-7326

Website: www.seco-larm.com Email: sales@seco-larm.com



Copyright © 2023 SECO-LARM U.S.A., Inc. Todos los derechos reservados. Todas las marcas comerciales son propiedad de SECO-LARM U.S.A., Inc. o sus respectivos propietarios. La póliza de SECO-LARM es de desarrollo y mejora continua. Por esa razón, SECO-LARM se reserva el derecho de cambiar las especificaciones y los precios sin previo aviso. SECO-LARM tampoco es responsable de errores de impresión.

SECO-LARM® ENFORCER® CRIMEBUSTER® CBA® SLI®