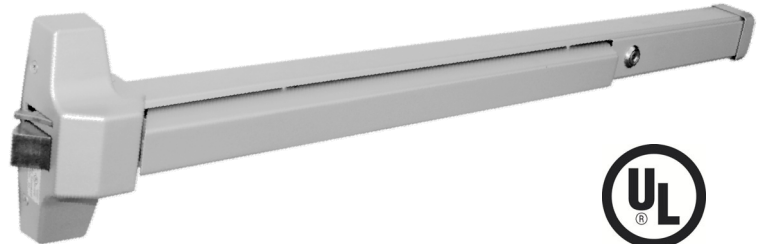


Rim-Type Exit Device

SD-962AR-36A

Features:

- Allows exit from inside while locked from outside
- UL Listed (SD-962AR-36A only)
- Reversible, non-handed design
- For metal or wood doors up to 1 3/4" thick
- Stainless steel 3/4" throw latch bolt
- Allen-type 1/4-turn dogging lock allows the exit bar to be unlocked for extended periods of time
- Includes all hardware for typical installation
- Works with standard external door handle/lock devices such as the SD-962HL-4A (not included)
- Fits doors from 30" to 48" wide
- Heavy-duty steel construction
- Stainless steel spring



SD-962HL-4A

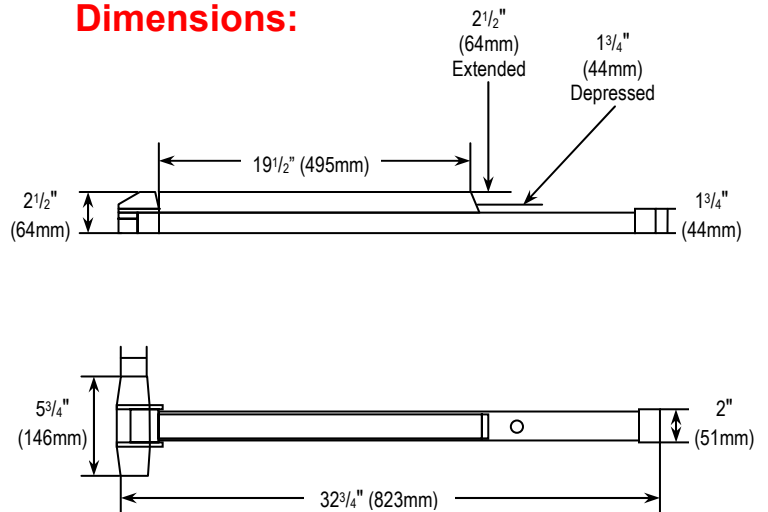
- Non-handed
- SC4, 6-pin lock
- Entry type
- Key locks & unlocks



Specifications:

Model	SD-962AR-36A
Door type	1 3/4" thick, wood or metal
Hand type	Non-handed
Latch bolt	Stainless-steel, 3/4" throw
Dead latch	Stainless-steel, 5/8"
Strike	For 5/8" stop plus shim for 1/2" stop
Spring	Stainless-steel
Chassis	Steel
Cover	High-density, rust-resistant alloy
Rail assembly	Steel
End cap	Steel
Dogging	Allen-type dogging standard

Dimensions:



SECO-LARM® U.S.A., Inc.

16842 Millikan Avenue, Irvine, CA 92606

Phone: (949) 261-2999 | (800) 662-0800 Fax: (949) 261-7326

Website: www.seco-larm.com Email: sales@seco-larm.com

Copyright © 2019 SECO-LARM U.S.A., Inc. All rights reserved.

All trademarks are the property of SECO-LARM U.S.A., Inc. or their respective owners. The SECO-LARM policy is one of continual development. For that reason, SECO-LARM reserves the right to change prices and specifications without notice. SECO-LARM is not responsible for misprints.

SECO-LARM® ENFORCER® CRIMEBUSTER® CBA® SLI®

PI_SD-962AR-36A_191104.docx