

.75"(19.05mm) Steel Door Recessed Type



Contact Size: .75"x.84"(19.05mmx21.3mm)

Standard Magnet Size: .75"x.84"(19.05mmx21.3mm)

Standard Gap: 1.1"(28mm)

Colors: White, Brown

12"(305mm) 22 AWG Leads Standard

Longer leads available.

Specifications

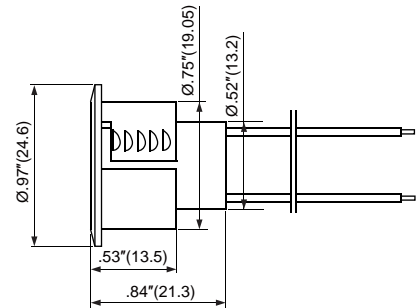
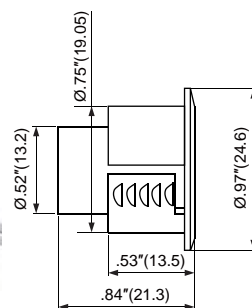
Part Number	Gap Inch(mm)	Loop Open/Closed	Reed Form	Max. Contact Rating (W)	Max. Initial Contact Resistance (mΩ)	Max. Switching Voltage (V)	Max. Switching Current (A)
SD-70	1.1"(28)	CLOSED	Normally Open	10	100	AC110/DC100	0.5
SD-71B	1.1"(28)	OPEN	Normally Closed	3	100	AC30/DC30	0.2
SD-70 WG	1.26"(32)	CLOSED	Normally Open	10	100	AC110/DC100	0.5
SD-72C	1.1"(28)	SPDT	SPDT	3	100	AC30/DC30	0.2
SD-74C	.75"(19)	DPDT	DPDT	3	100	AC30/DC30	0.2

OPERATING TEMPERATURE:-40°C to +60°C

Outline Dimensions

Unit: inch(mm)

SD-70/SD-71B



The Best Guarantee Since 1984 : \$50-1

TANE ALARM PRODUCTS

906 JERICHO TURNPIKE, NEW HYDE PARK, NY 11040

Tel: 800-852-5050 • 516-328-3351 • Fax: 516-326-9125

www.tanealarm.com • E-MAIL: info@tanealarm.com

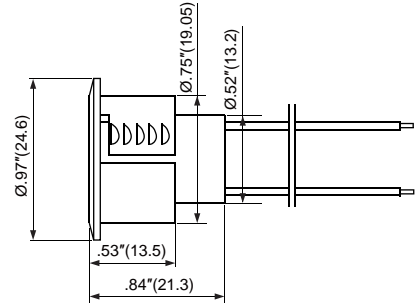
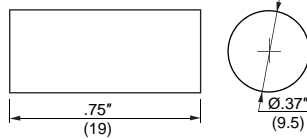
Outline Dimensions

Unit: inch(mm)

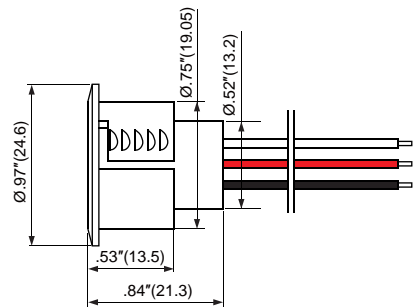
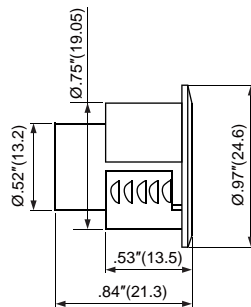
SD-70 WG



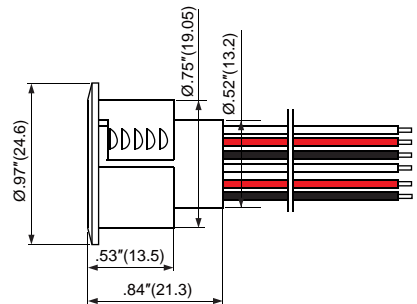
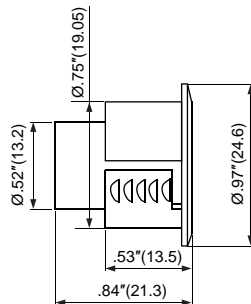
Bare Rare Earth
(BT 3/8"x3/4")



SD-72C

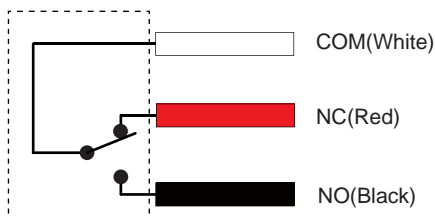


SD-74C

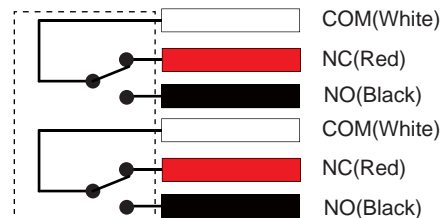


Wiring Diagram

SD-72C



SD-74C



The Best Guarantee Since 1984 : \$50-1
TANE ALARM PRODUCTS

906 JERICHO TURNPIKE, NEW HYDE PARK, NY 11040
 Tel: 800-852-5050 • 516-328-3351 • Fax: 516-326-9125
 www.tanealarm.com • E-MAIL: info@tanealarm.com