

TROVE™

Access & Power Integration

Altronix Trove2/Mercury Kits with Fused Outputs

Models Include:

T2MK34

Fully assembled 4 door kit includes:

- Trove2 enclosure with TM2 Altronix/Mercury backplane
- (1) AL600ULXB - Power Supply/Charger
- (1) ACM4 - Fused Access Power Controller
- (1) VR6 - Voltage Regulator
- (1) PDS8 - Dual Input Fused Power Distribution Module

T2MK38

Fully assembled 8 door kit includes:

- Trove2 enclosure with TM2 Altronix/Mercury backplane
- (1) AL600ULXB - Power Supply/Charger
- (1) ACM8 - Fused Access Power Controller
- (1) VR6 - Voltage Regulator
- (1) PDS8 - Dual Input Fused Power Distribution Module

T2MK78

Fully assembled 8 door kit includes:

- Trove2 enclosure with TM2 Altronix/Mercury backplane
- (1) AL1024ULXB2 - Power Supply/Charger
- (1) ACM8 - Fused Access Power Controller
- (1) VR6 - Voltage Regulator
- (1) PDS8 - Dual Input Fused Power Distribution Module

T2MK7516

Fully assembled 16 door kit includes:

- Trove2 enclosure with TM2 Altronix/Mercury backplane and TMV2 door backplane
- (1) AL1024ULXB2 - Power Supply/Charger
- (1) AL1012ULXB - Power Supply/Charger
- (2) ACM8 - Fused Access Power Controllers
- (1) PD16W - Fused Power Distribution Module

T2MK7716

Fully assembled 16 door kit includes:

- Trove2 enclosure with TM2 Altronix/Mercury backplane and TMV2 door backplane
- (2) AL1024ULXB2 - Power Supply/Chargers
- (2) ACM8 - Fused Access Power Controllers
- (1) VR6 - Voltage Regulator
- (1) PDS8 - Dual Input Fused Power Distribution Module

All components of these Trove kits are UL Listed sub-assemblies.

Please refer to the included corresponding Sub-Assembly Installation Guides for further information.

Installation Guide



All registered trademarks are property of their respective owners.

Rev. TMKL120121

Installing Company: _____ Service Rep. Name: _____

Address: _____ Phone #: _____



More than just power.™

Overview:

Altronix Trove Mercury kits are pre-assembled and consist of Trove2M2 enclosure with factory installed Altronix power supply/charger(s) and sub-assemblies. These kits also accommodate various combinations of Mercury boards for up to sixteen (16) doors in a single enclosure.

Configuration Chart:

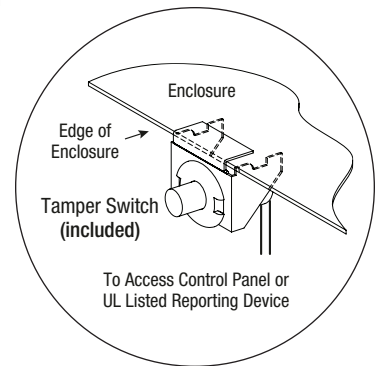
Altronix Model Number	115VAC 60Hz Input Current (A)	Power Supply Board Input Fuse Rating	Power Supply Board Battery Fuse Rating	Output Voltage Options		Maximum Supply Current for Main and Aux. Outputs on Power Supply board and ACM4/ACM8 Access Power Controller's outputs	Fail-Safe/Fail-Secure Outputs	Current Per ACM4/ACM8 Output (A)	ACM4/ACM8 Board Input Fuse Rating	ACM4/ACM8 Board Output Fuse Rating	PDS8 Board Input Fuse Rating	PDS8 Board Output Fuse Rating	PD16W Board Output Fuse Rating
				Power Supply 1	Power Supply 2								
T2MK34	3.5	5A/250V	N/A	12VDC @ 5.7A	-	24VDC @ 5.7A	4	2.5	10A/250V	3A/32V	10A/250V	3A/32V	-
				24VDC @ 5.5A									
T2MK38	3.5	5A/250V	N/A	12VDC @ 5.7A	-	24VDC @ 5.7A	8	2.5	10A/250V	3.5A/250V	10A/250V	3A/32V	-
				24VDC @ 5.5A									
T2MK78	4.2	5A/250V	15A/32V	24VDC @ 9.5A	-	24VDC @ 9.5A	8	2.5	10A/250V	3.5A/250V	10A/250V	3A/32V	-
T2MK7516	6.8	5A/250V	15A/32V	12VDC @ 9.5A	24VDC @ 9.5A	12VDC @ 9.3A 24VDC @ 9.5A	16	2.5	10A/250V	3.5A/250V	-	-	3.5A/250V
T2MK7716	8.4	5A/250V	15A/32V	24VDC @ 9.5A	24VDC @ 9.5A	24VDC @ 9.5A	16	2.5	10A/250V	3.5A/250V	10A/250V	3A/32V	-

Installation Instructions:




Wiring methods shall be in accordance with the National Electrical Code/NFPA 70/ANSI, and with all local codes and authorities having jurisdiction. Product is intended for indoor use only.

1. Remove backplane(s) from enclosure. Do not discard hardware.
2. Mark and predrill holes in the wall to line up with the top three keyholes in the enclosure. Install three upper fasteners and screws in the wall with the screw heads protruding. Place the enclosure's upper keyholes over the three upper screws, level and secure. Mark the position of the lower three holes. Remove the enclosure. Drill the lower holes and install the three fasteners. Place the enclosure's upper keyholes over the three upper screws. Install the three lower screws and make sure to tighten all screws.
3. Mount included UL Listed tamper switch (Altronix Model TS112 or equivalent) in desired location, opposite hinge. Slide the tamper switch bracket onto the edge of the enclosure approximately 2" from the right side (Fig. 1, pg. 2). Connect tamper switch wiring to the Access Control Panel input or the appropriate UL Listed reporting device. To activate alarm signal open the door of the enclosure.
4. Refer to the *ULXB Power Supply/Charger Installation Guide* for AL600ULXB, AL1012ULXB and AL1024ULXB2 and *Sub-Assembly Installation Guide* for the following models: ACM4, ACM8, PDS8, PD16W, VR6 for further installation instructions.
5. Fasten snap on spacers onto metal pems configuration of backplane depending on the Mercury access controller (Fig. 2-5, pg. 3-6).
6. Position Mercury access controller module over corresponding spacers and depress onto snap on spacers (Fig. 2-5, pg. 3-6).
7. Mount backplane to enclosure with hardware.

Fig. 1



Hardware:

 Snap On Spacer |
  5/16" Pan Head Screw |
  Lock Nut

T2MK34 and T2MK38 Configuration of Mercury Boards:

1. Fasten snap on spacers onto metal pems configuration (A), (B), (C) or (D) of backplane depending on the access controller (Fig. 2, pg. 3).
2. Position access controller module over corresponding spacers and depress onto snap on spacers (Fig. 2a, pg. 3).
3. Mount backplane to enclosure with hardware.

Access Controller Position Chart for the Following Models:

Mercury Access Controller	Pem Mounting
EP1502, MR52, MR16IN, MR16OUT	(A)
EP2500, MUX8	(B)
EP1501, MR51e	(C)
MR50	(D)

Fig. 2

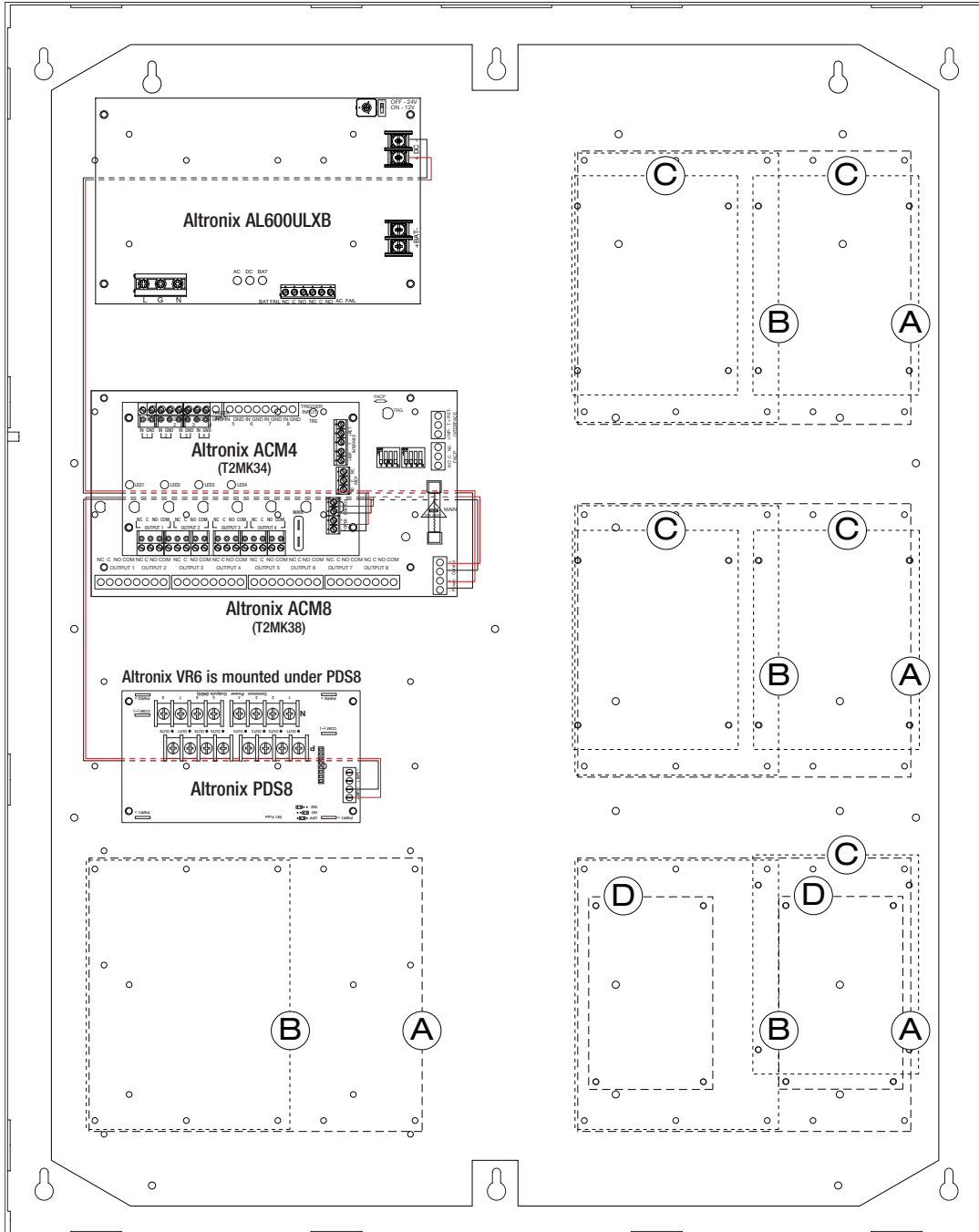
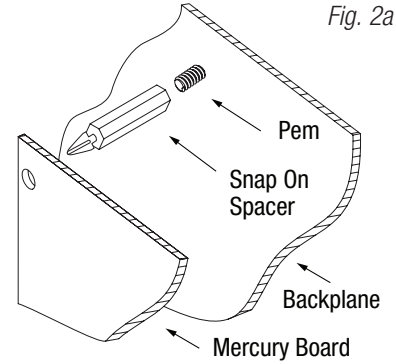


Fig. 2a



T2MK78: Configuration of Mercury Boards:

1. Fasten snap on spacers onto metal pems configuration (A), (B), (C) or (D) of backplane depending on the access controller (*Fig. 3, pg. 4*).
2. Position access controller module over corresponding spacers and depress onto snap on spacers (*Fig. 3a, pg. 4*).
3. Mount backplane to enclosure with hardware.

Access Controller Position Chart for the Following Models:

Mercury Access Controller	Pem Mounting
EP1502, MR52, MR16IN, MR16OUT	(A)
EP2500, MUX8	(B)
EP1501, MR51e	(C)
MR50	(D)

Fig. 3

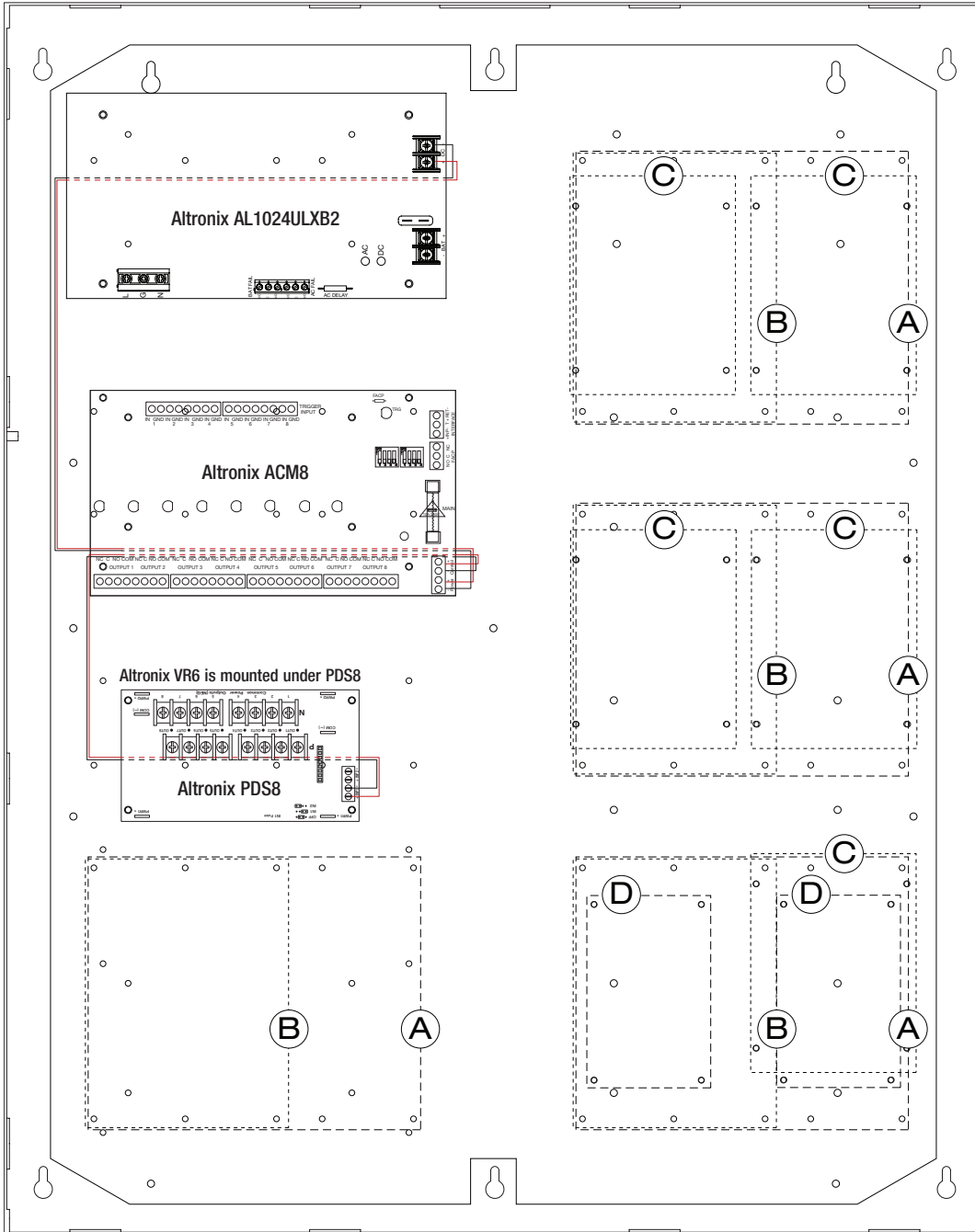
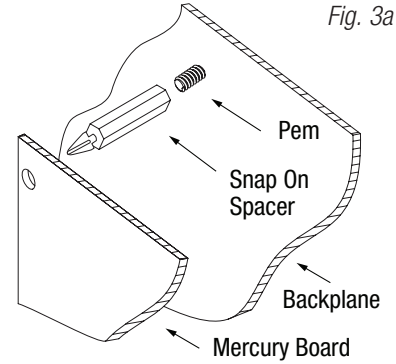


Fig. 3a



T2MK7516: Configuration of Mercury Boards:

1. Fasten snap on spacers onto metal pems configuration (A), (B), (C) or (D) of backplane depending on the access controller (Fig. 4, pg. 5).
2. Position access controller module over corresponding spacers and depress onto snap on spacers (Fig. 4a, pg. 5).
3. Mount backplane to enclosure with hardware.

Access Controller Position Chart for the Following Models:

Mercury Access Controller	Pem Mounting
EP1502, MR52, MR16IN, MR16OUT	(A)
EP2500, MUX8	(B)
EP1501, MR51e	(C)
MR50	(D)

Fig. 4

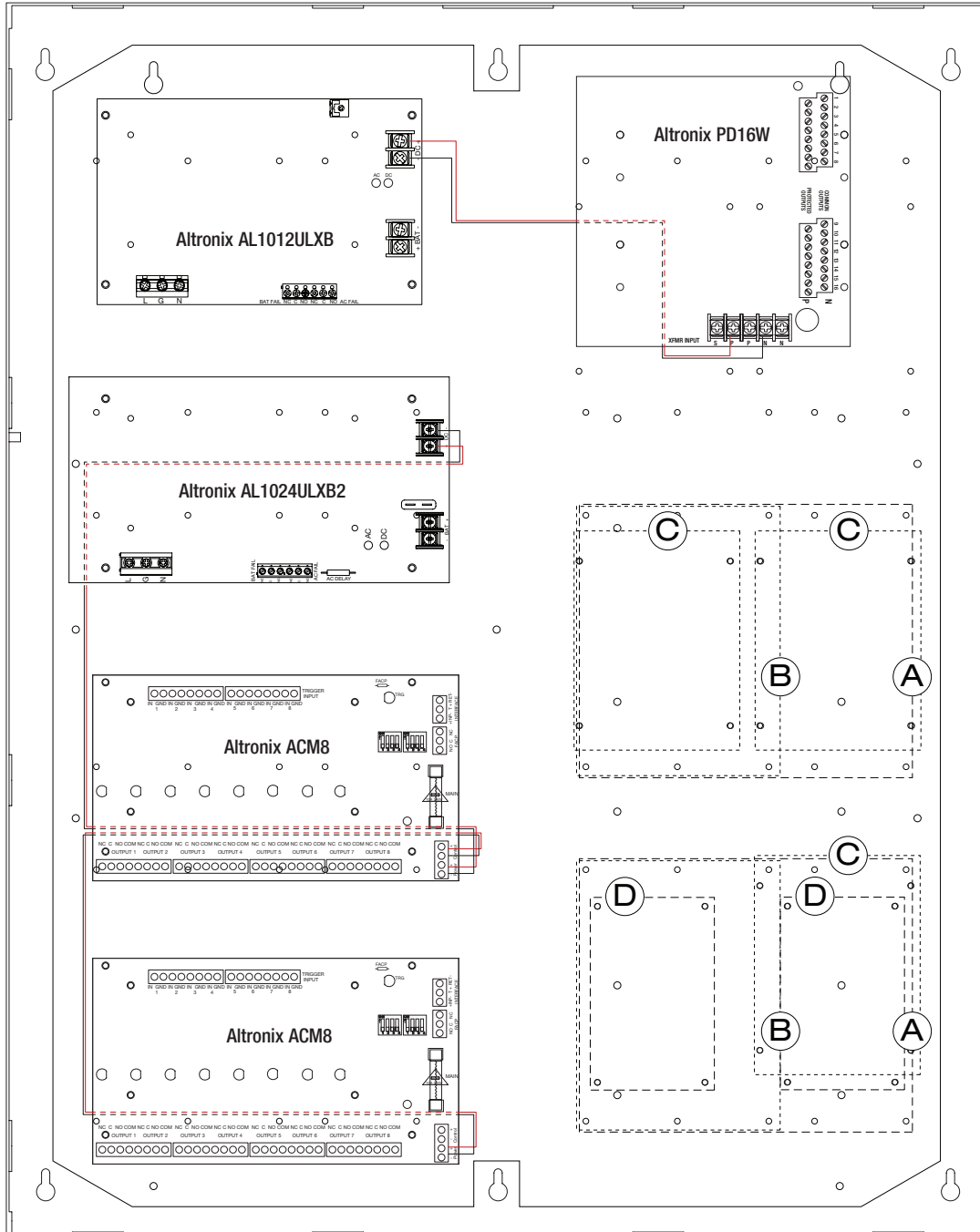
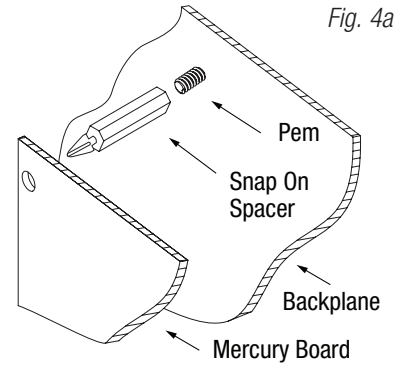


Fig. 4a



T2MK7716: Configuration of Mercury Boards:

1. Fasten snap on spacers onto metal pems configuration (A), (B), (C) or (D) of backplane depending on the access controller (Fig. 5, pg. 6).
2. Position access controller module over corresponding spacers and depress onto snap on spacers (Fig. 5a, pg. 6).
3. Mount backplane to enclosure with hardware.

Access Controller Position Chart for the Following Models:

Mercury Access Controller	Pem Mounting
EP1502, MR52, MR16IN, MR16OUT	(A)
EP2500, MUX8	(B)
EP1501, MR51e	(C)
MR50	(D)

Fig. 5

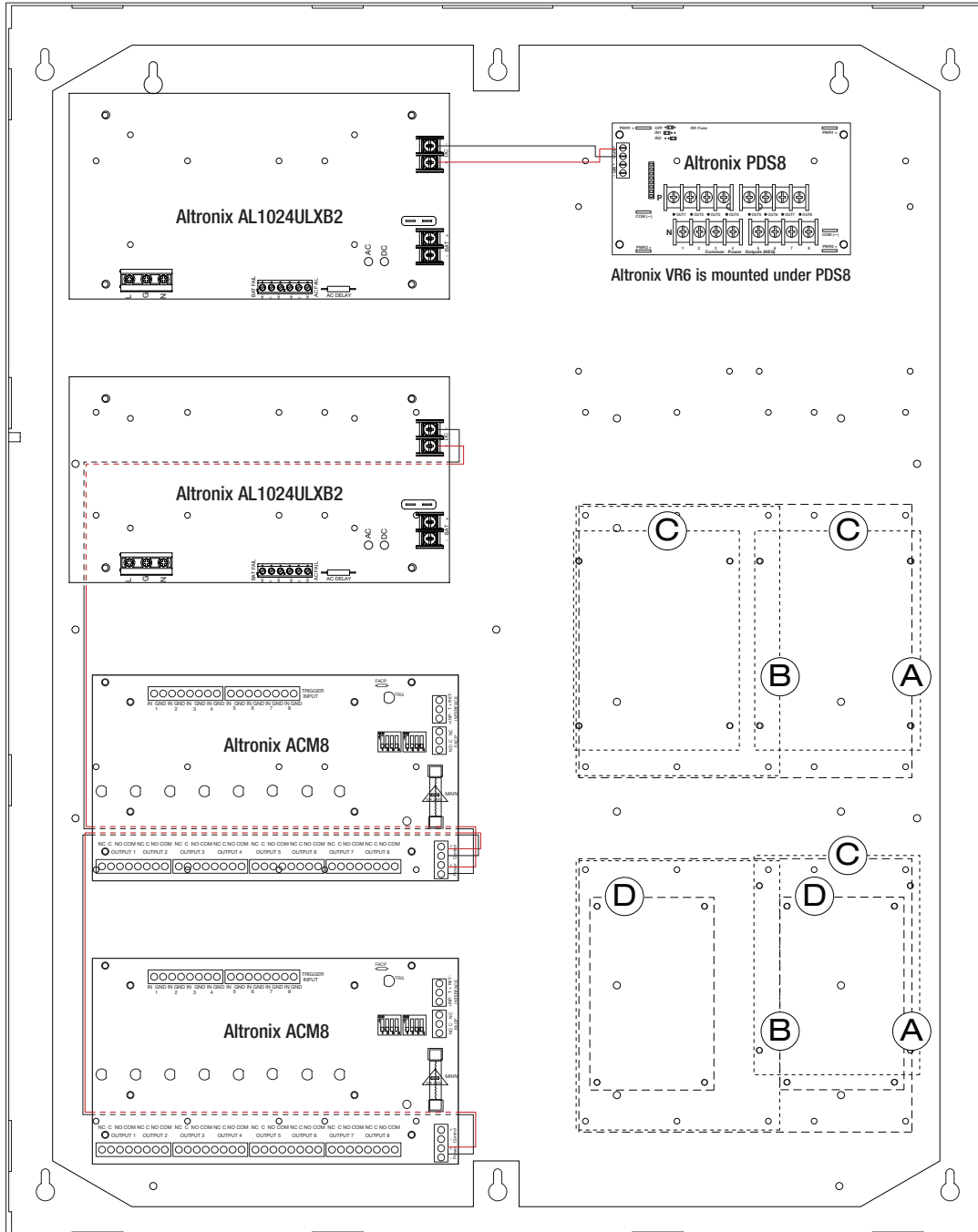
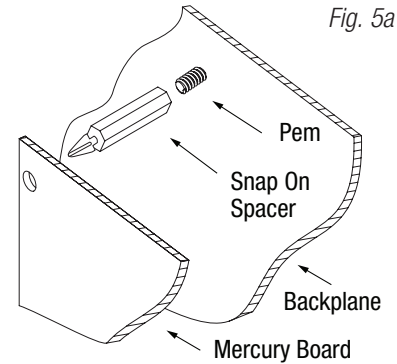


Fig. 5a



TMV2 (T2MK7516 and T2MK7716):

TMV2 accommodates a variety of Mercury boards with or without Altronix sub-assemblies for access systems.

Configuration of Mercury and/or Altronix Boards

Mercury Access Controllers:

1. Fasten spacers onto metal pems configuration (A) (B) of backplane depending on the access controller (*Fig. 6, pg. 7*).
2. Position access controller module over corresponding spacers and depress onto snap on spacers (*Fig. 6a, pg. 7*).
3. Mount backplane to enclosure with hardware.

Altronix Sub-Assemblies and/or Adapters:

1. Fasten spacers to pems which match the hole pattern (C) for Altronix Sub-Assemblies (*Fig. 6, 6a, pg. 7*).
2. Mount boards to spacers utilizing pan head screws provided with the product (*Fig. 6, pg. 7*).

Access Controller Position Chart for the Following Models:

Mercury	
Access Controller	Pem Mounting
EP1502, MR52, MR16IN, MR16OUT	(A)
EP2500, MUX8	(B)
Altronix	
Sub-Assembly or Adapter	Pem Mounting
ACM4(CB), MOM5, PD4UL(CB), PD8UL(CB), PDS8(CB), VR6, GB1 (Genetec Synergis Cloud Link adapter plate)	(C)

Fig. 6

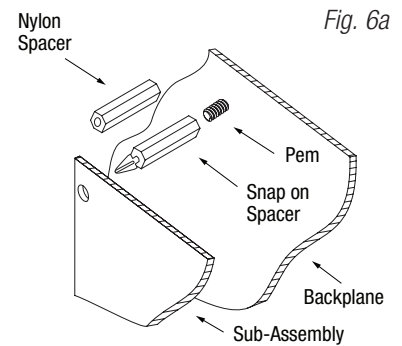
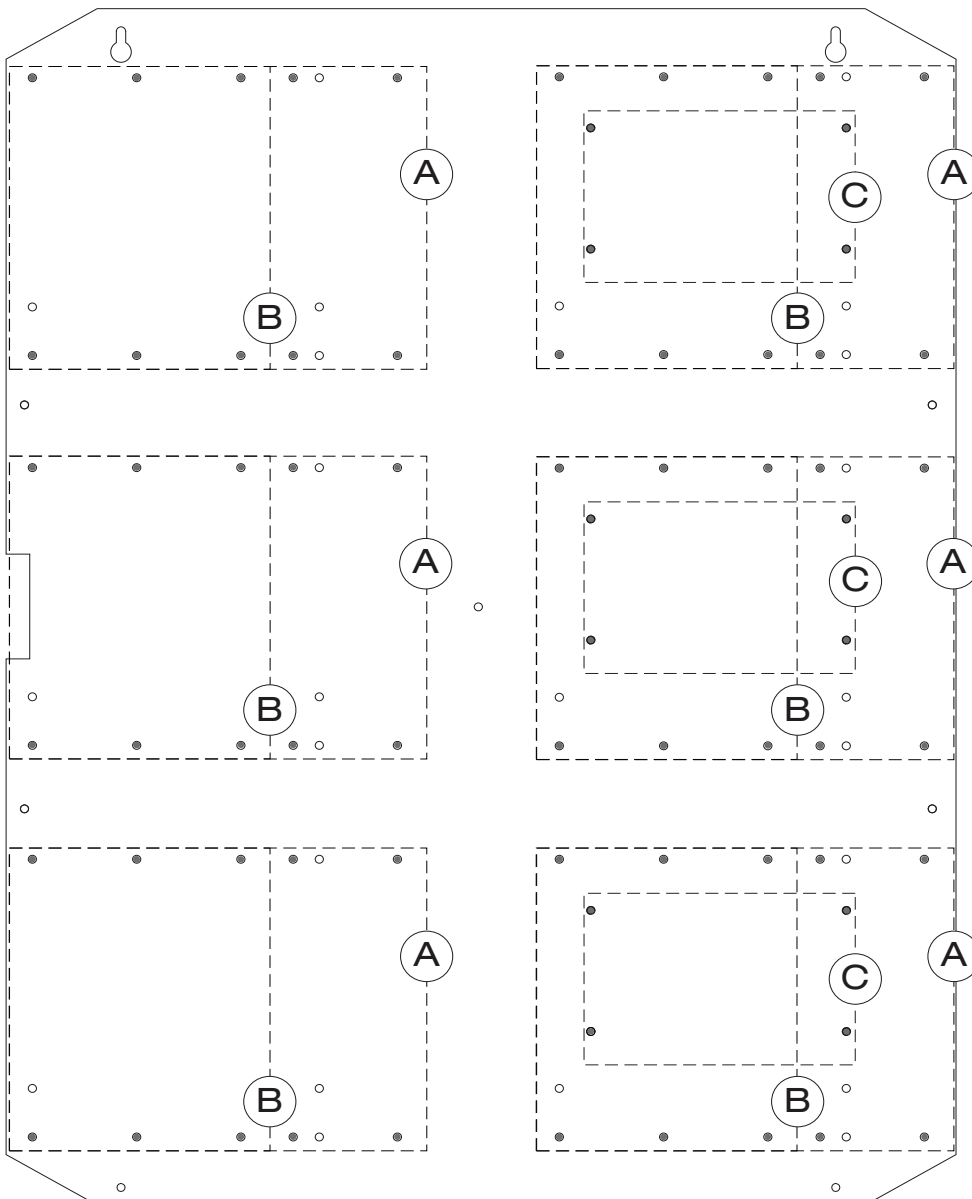
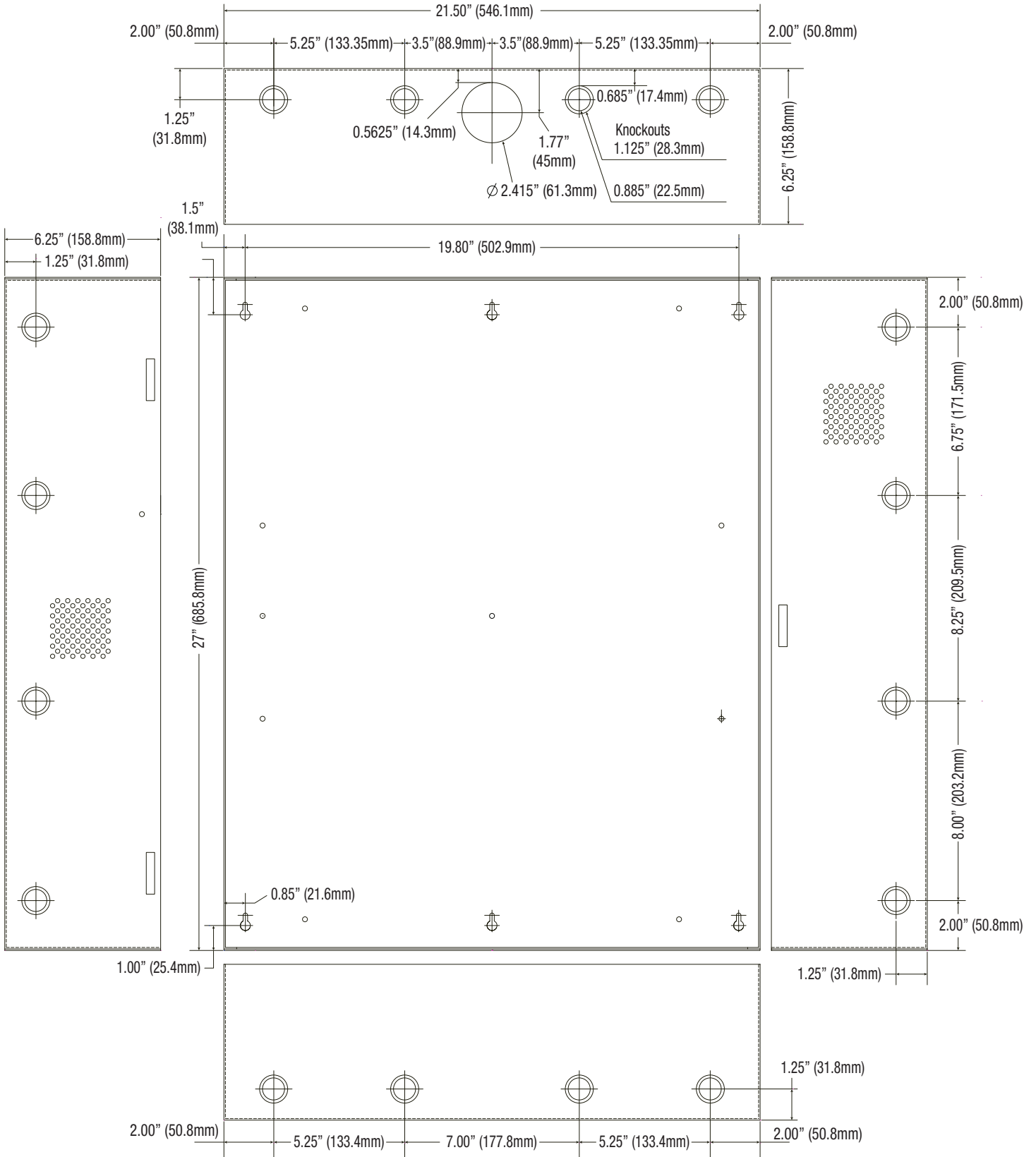


Fig. 6a

Enclosure Dimensions (H x W x D approximate):

27.25" x 21.5" x 6.5" (692.2mm x 552.5mm x 165.1mm)



Altronix is not responsible for any typographical errors.

140 58th Street, Brooklyn, New York 11220 USA | phone: 718-567-8181 | fax: 718-567-9056
 web site: www.altronix.com | e-mail: info@altronix.com | Lifetime Warranty
 IITrove2/Mercury ULXB Fused Kits

E16W

