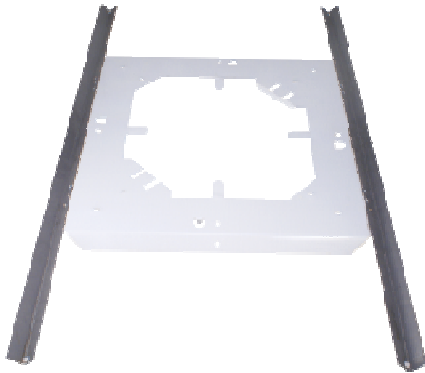


TS8 Tile Support for G86TG/G86TG

Thank you for your choice of Speco Technologies' **TS8** tile support bridge. This unit is designed and manufactured to provide an economical solution for supporting your G86TG or G86TCG speakers in a drop ceiling. The steel construction and USA manufacturing help ensure a long product lifespan. This unit should be used with the STH8 backcan.



G86TG/G86TCG INSTALLATION INSTRUCTIONS:

- 1) Mark and cut 8-1/2" square hole in ceiling tile using TS8 as a template as shown in Figure A.
- 2) If using STH8 backbox, bend up the (4) horseshoe tabs in TS8. Refer to backbox instructions for details.
- 3) Position TS8 on plenum (back) side of ceiling tile with flat side of TS8 next to ceiling tile.
- 4) Bend (8) locator tabs around opening in tile.
- 5) Install speaker/baffle from front side of ceiling tile and fasten to TS8/tile assembly with (4) #8-32 screws provided with speaker.
- 6) The TS8 can also be used with square baffle speakers. Ensure mounting holes line up prior to installation.

TERMINATION

Feed supply cable through cable clamp or whip and terminate as shown in specific wiring instructions. Refer to loudspeaker assembly magnet label for termination options and wiring diagram information.

***Be sure to insulate all unused taps from each other, the enclosure, and**

DIMENSIONS:

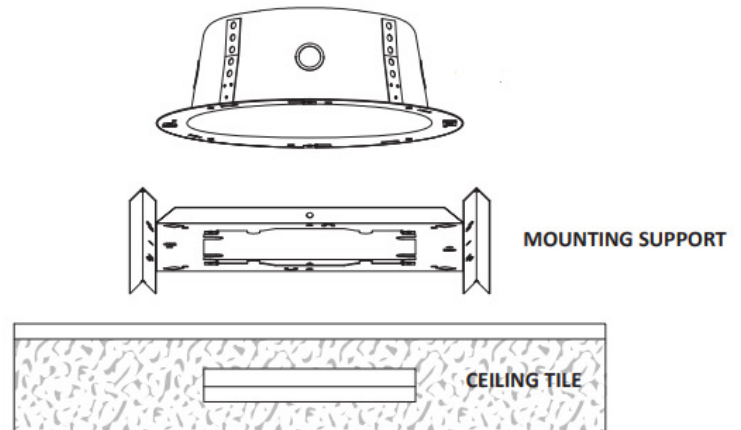
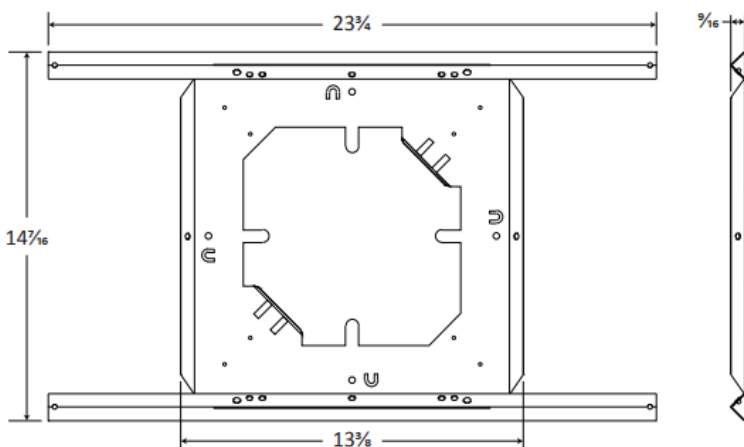
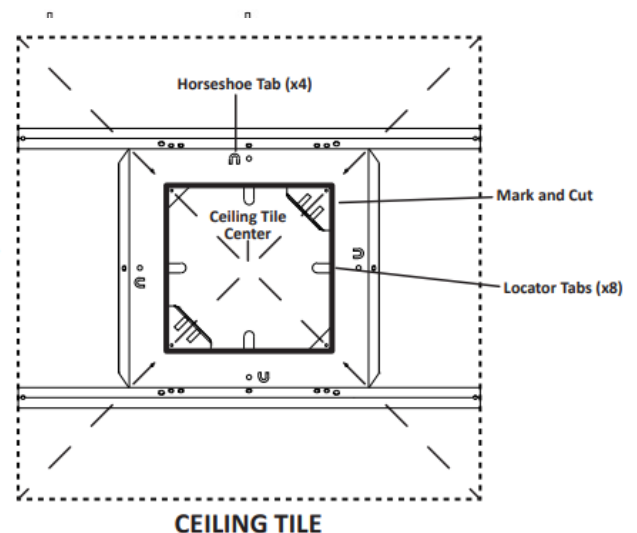


Figure "A"



Speco Technologies is constantly developing and improving products.

We reserve the right to modify product design and specifications without notice and without incurring any obligation.

Speco Technologies .

200 New Highway .

Amityville . NY . 11701 .

www.specotech.com

Rev. 04/23/20