

UNL UnLatch[®] Strike

Works with most cylindrical locksets up to 5/8" throw latchbolt



The universal compact, high performance, no cut electromechanical motorized electric strike for use with cylindrical locksets.

Designed for easy installation, the UNL is capable of releasing under preload conditions and accommodates latchbolts up to 5/8" throw. Strong enough to withstand windstorm conditions, the UNL is the UL listed, fire rated electric strike that includes lock monitoring standard and provides ANSI/BHMA Grade 1 holding power.

Features

Standard Features

- No cutting required
- Preload capable (up to 15 lbs., fail secure only)
- Accommodates 1/2" – 5/8" [12.7mm – 15.875mm] latchbolt (5/8" [12.7mm] with 1/8" [3.175mm] door gap)
- Latchbolt Monitor (standard SPDT)
- Fail secure (standard)
- Tamper Resistant
- Supports deadlatch function
- Strike body depth 1-1/2" [38.1mm]
- SecuriCare five-year, no-fault, no questions asked warranty

Optional Features

- 12 VDC
- 24 VDC
- **FSUNL** for field-selectable fail safe operation (ordered separately)



5
Year
SecuriCare
Warranty



Cylindrical
Locksets



Fire Rated



Windstorm
Resistant



Preload

Specifications

Certifications

- UL 10C fire-rated, 3 hour (fail secure only)
- CAN/ULC-S104 fire door conformant
- NFPA-252 fire door compliant
- ASTM-E152 fire door compliant
- ANSI/SDI A250.13 windstorm listed
- Florida Building Code approved TAS 201, 202, 203t
- ANSI-ASTM E330

Electrical

- 12 VDC (continuous duty):
 - » Inrush – 2A
 - » Standby Current – 40mA, minimum 700mA when operating
- 24 VDC (continuous duty):
 - » Inrush – 4A
 - » Standby Current – 40mA, minimum 500mA when operating

Holding Force

- 1500 lbs [680kg] static

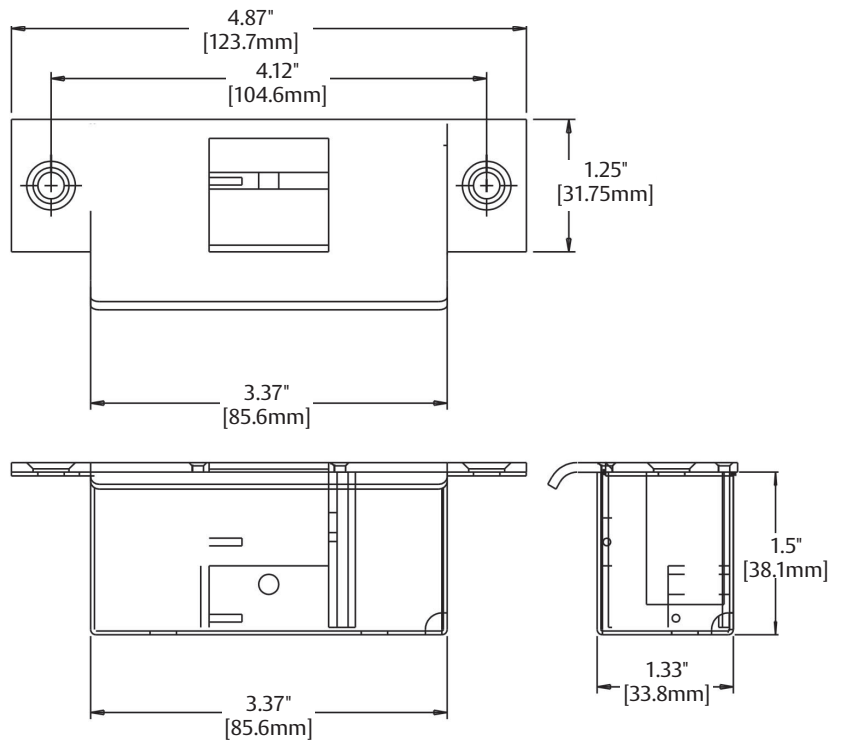
Operating Temperature

- -20° to 125° F [-29° to 52° C]

Shipping Weight

- 1.6 lbs [0.73kg]

Dimensions



PART NUMBER	DESCRIPTION
FSUNL-12	Fail Secure/Fail Safe Unlatch Module, 12 VDC, .90 mA
FSUNL-24	Fail Secure/Fail Safe Unlatch Module, 24 VDC, 1.4 mA

NOTE: FSUNL for field-selectable fail safe operation ordered separately



FSUNL Field Selectable Unlatch® Module

Allows Fail Safe or Fail Secure Configuration of UNL and MUNL

The FSUNL is used with a UNL or MUNL installation to provide selectable fail safe or fail secure behavior. Removal of power initiates a full unlatch or latch cycle depending on which mode is selected.

How to Order

SERIES	VOLTAGE	FINISH
UNL	- 24	- 10B
UNL Cylindrical	12 12 Volt	613 Stainless Steel
	24 24 Volt	626 Oil Rubbed Bronze