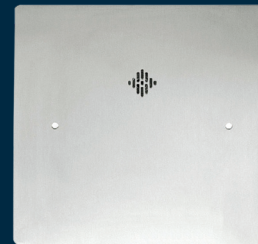


# XDT Exit Delay Timer

*Sophisticated control in an easy-to-use, modular exit delay timer*



Configurable exit delay is ideal for fail safe environments that have varying needs throughout the day.

Function is compatible with entry control, door/lock monitoring and authorized immediate exit. Widely used in healthcare environments to alert for patient exit and in retail environments to prevent theft.

## How to Order

MOUNTING METHOD	MODEL SERIES	VOLTAGE
BA –	XDT	– 12
(blank) Circuit Board only	XDT Exit Delay Timer	12 12 VDC
BA Boxed		24 24 VDC
FA Flush Mount		

## Features

### Standard Features

- Meets all code requirements including the BOCA 30 second relock function
- Nuisance delay and release times are digitally set using precise DIP switches
- Three 5A SPDT relays for interface capabilities
- External switches such as time clocks can put the XDT into different functions when delayed exit is not desired at all times
- MagnaCare® lifetime replacement, no-fault, no questions asked warranty

### Optional Features

- XDT is board only
- BA-XDT in surface mount enclosure with piezo sounder and door label
- FA-XDT is a flush mount plate enclosure with piezo sounder and door label



## Specifications

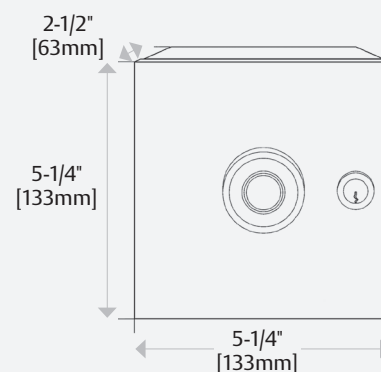
### Certifications

- ANSI/UL 294 Listed
- CSFM — California State Fire Marshal Approved

### Electrical

- 100 mA at 12 VDC
- 50 mA at 24 VDC
- 5A SPDT relays

## Dimensions



**SECURITRON**  
**ASSA ABLOY**

US securitron.com | 800 626 7590 | customerservice.securitron@assaabloy.com

Canada assaabloydss.ca | 800 461 3007 | sales.dss.ca@assaabloy.com

# Modular Exit Delay System

## Build an exit delay system customized to your specific application

When the demands of your door environment require specific components, ASSA ABLOY's UL/ULC Exit Delay System (EXD) delivers a system that meets your specific needs.

National Building Code of Canada. This modular approach suits the specific locking requirements of all doors, as well as the desired level of physical security and ease of maintenance.

Modular delayed egress that complies with NFPA 101 Life Safety Code and conforms to IBC and

See individual product pages for complete specifications. Review local codes and amendments for delayed egress

With modular upgrades, maintenance and replacement, Component EXD evolves with your changing access control needs.

### 1. Select a locking device (one per door)

- Determine type of mounting
  - » Direct, Bracket, or Shear
- Determine holding force required
  - » 600 lbs to 1,800 lbs
- Choose from the following products:
  - » M32, M38, M62, M68, M82, M380E or M680E



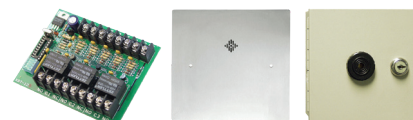
### 2. Choose an initiating device (one per door)

- Determine type of egress
  - » Egress Control Only or Egress Control with Electronic Access Capability
- Choose from the following products:
  - » SB-MXD, LML, LMS, DSB, TSB, TSH, EMB
  - » Sargent®: 80 Series w/55 prefix
  - » Adams Rite® 3700, 3600, 3300, 3100



### 3. Choose an exit delay timer (one per opening)

- Choose from the following products:
  - » XDT, BA-XDT, FA-XDT
- If XDT is chosen, a sounder must be installed
- If BA-XDT or FA-XDT is chosen, a Sonalert and exit sticker are included
- More than one door requires purchases of additional EXD-1L Door Label



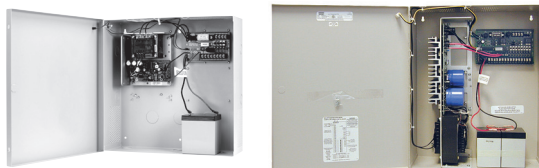
### 4. Choose a system reset (one per opening)

- Determine required reset method
  - » Manual (IBC, NFPA 101 and NBC of Canada) or Automatic (IBC)
- Choose from the following products
  - » MK Series with momentary switch for Manual Reset
  - » DPS-W and DPS-M for Automatic Reset



### 5. Choose a power source (one per building)

- Component EXD is based on a single power supply
- Power source or other output board must have a fire relay for connection to FA system.
- Different sizes are available depending on the number of doors
- Choose from AQ, BPS or BPSM Series



Updated 9/9/24 Printed in the U.S.A. Patent pending and/or patent [www.assaabloydss.com/patents](http://www.assaabloydss.com/patents)