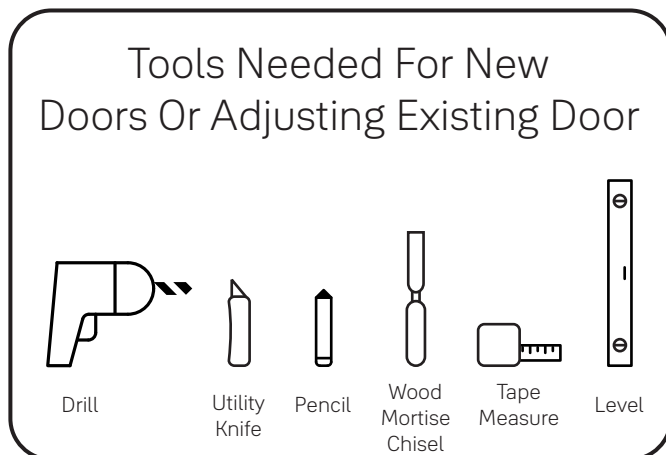




# Yale Assure Lever® Touchscreen (YRL226) and Key-Free Touchscreen (YRL256) Installation and Programming Instructions


This manual will walk you through all the required steps to add your new Yale Assure Lever to your door.

- Remove existing door knob or lever
- Double check door measurements
- Install your Assure Lever
- Program your Assure Lever
- Add your Assure Lever to your smart home system or Yale Access app if purchased with Yale Smart Module or Yale Access Upgrade kit



**Before you begin** >>>

DOWNLOAD  
THE BILT APP

**BILT.**  

Using the app on your smart phone, scan this QR for step-by-step installation instructions & to register your lock



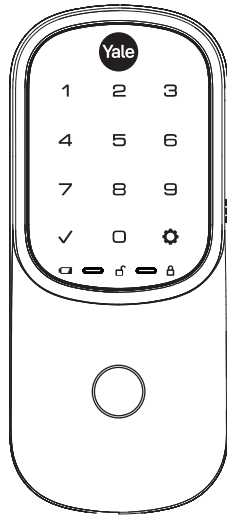
## **WARNING**

This product can expose you to lead which is known to the state of California to cause cancer and birth defects or other reproductive harm.  
For more information go to [www.P65warnings.ca.gov](http://www.P65warnings.ca.gov).

Failure to follow these instructions could result in damage to the product, voiding the factory warranty and could lead to failure of the product to provide access.



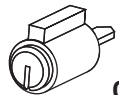
# What's In The Box



Touchscreen Keypad



Key (YRL226)



Cylinder (YRL226)

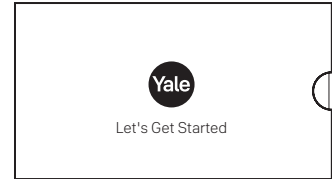
OR



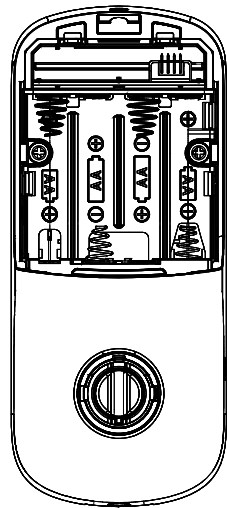
Key-Free Cylinder (YRL256)



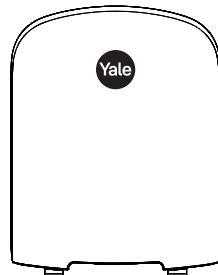
Yale Smart Module (not included with NR models)



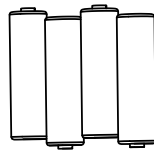
Installation Guide and Door Template



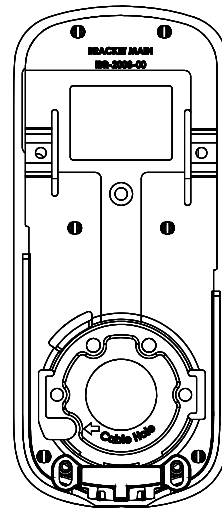
Inside Lock



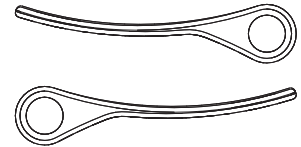
Battery Cover



AA Alkaline Batteries



Mounting Plate

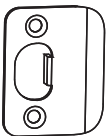


Levers

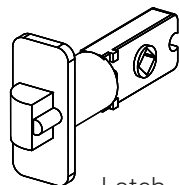


Battery Cover Key

## Mounting Hardware



Strike Plate



Latch (AYRL-DRIVE Adjustable Drive-In Latch available for purchase)



**x4**  
#7 wood & #8-32 Machine x 20mm Combination Screws



**x2**  
#8-32 x 5/16" Machine Screws



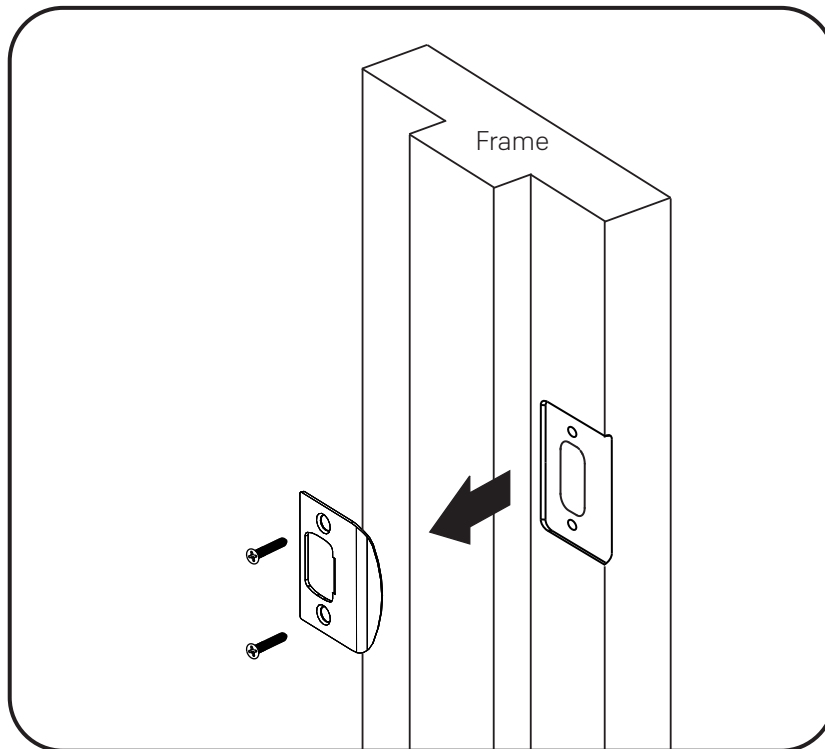
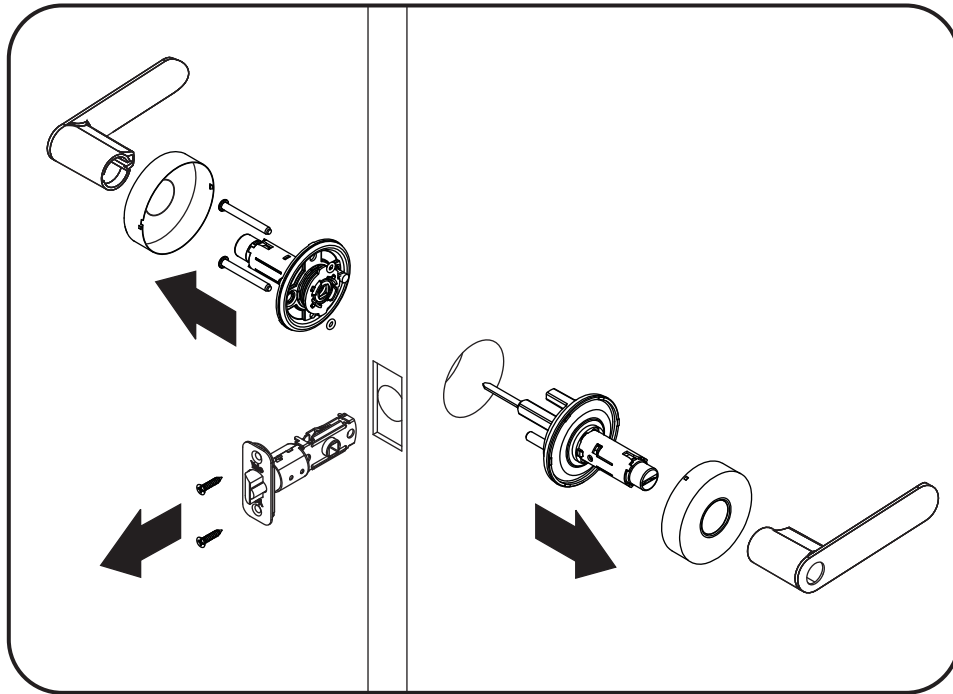
**x2**  
M4 x 22mm Pan Head Machine Screws

# 1

## Remove Existing Door Knob or Lever



Do not discard old lock hardware until Assure Lever has been successfully installed.

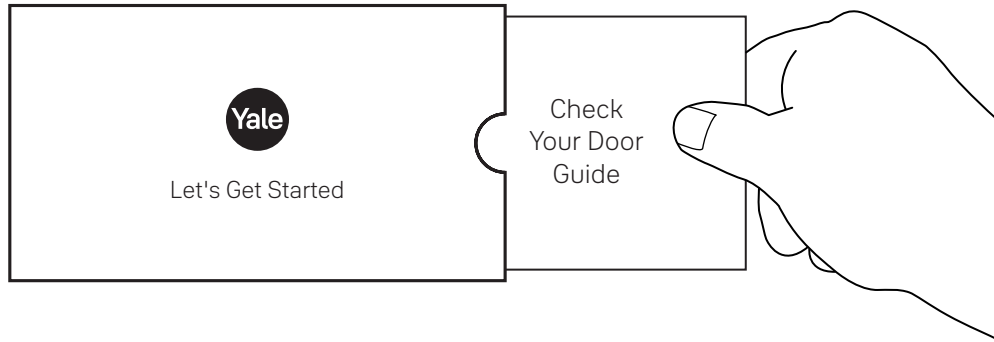


# 2

## Check Door Measurements And Make Adjustments If Needed

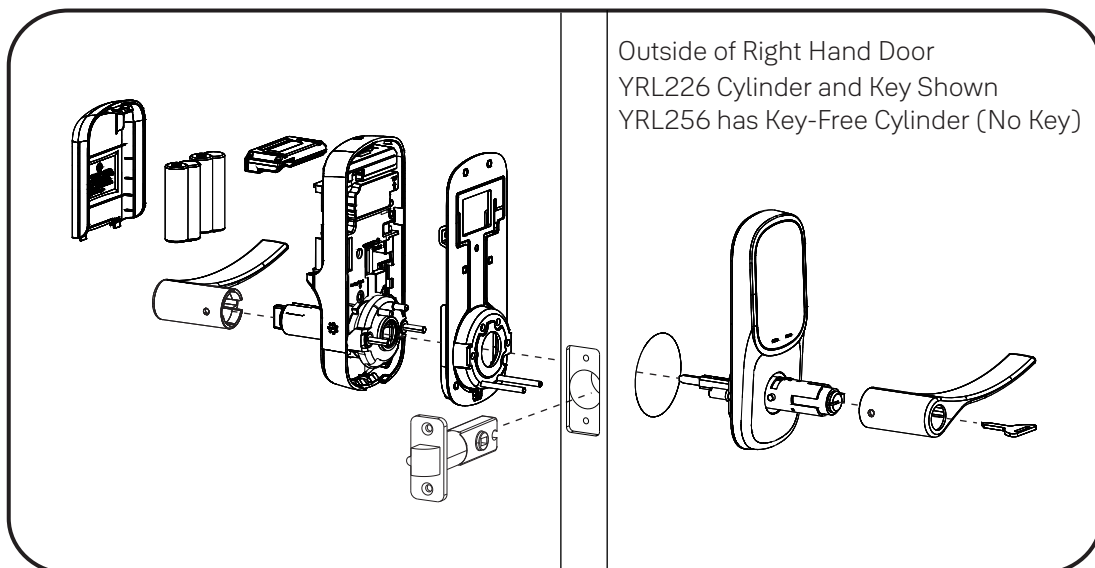
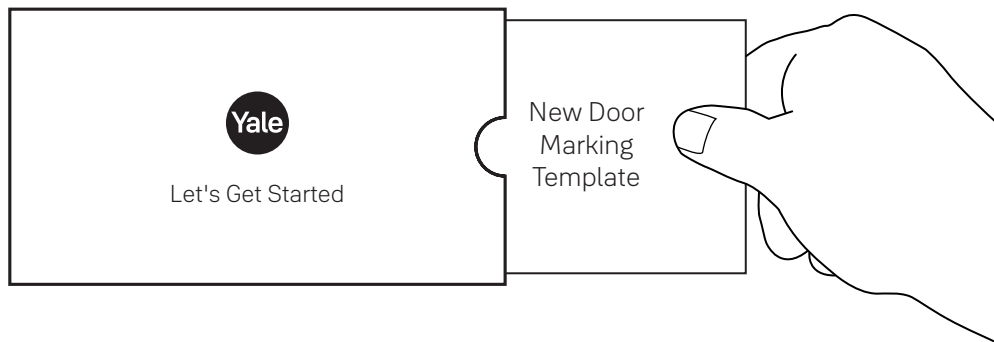
### Door Checker

Use door checker from installation guide envelope to verify your door measurements and make any needed adjustments.



### New Door Marking Template

With the door checker, use the template from installation guide envelope to prep a new door that has not been predrilled for hardware.



# 3

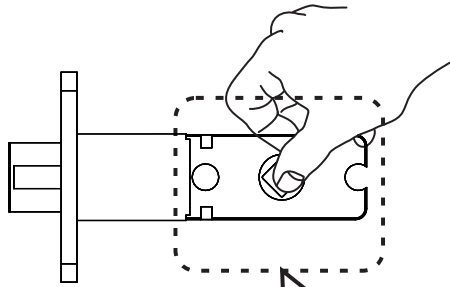


## Install Latch and Strike Plate Right Hand Installation Shown

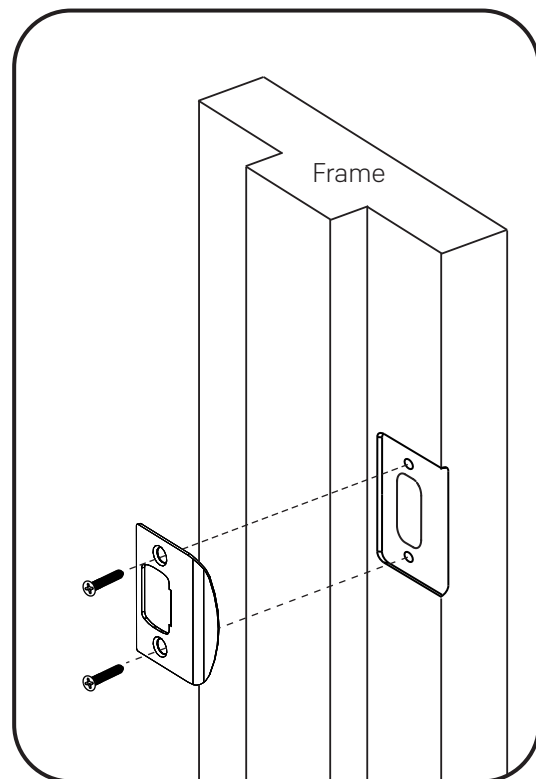
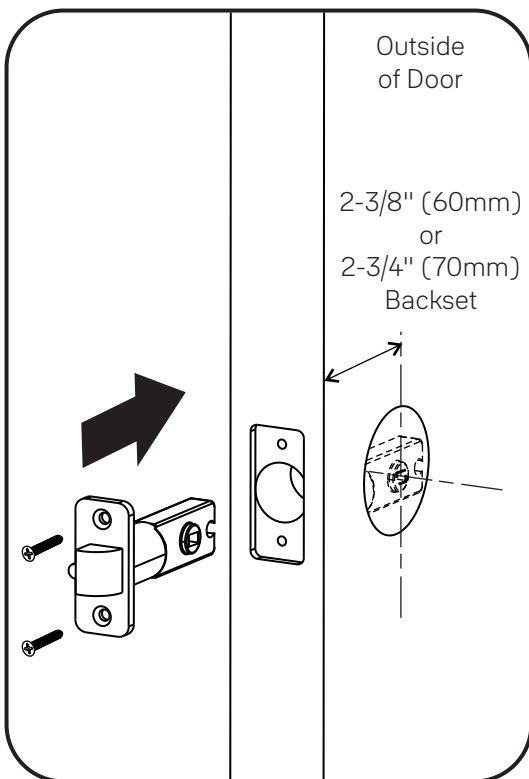
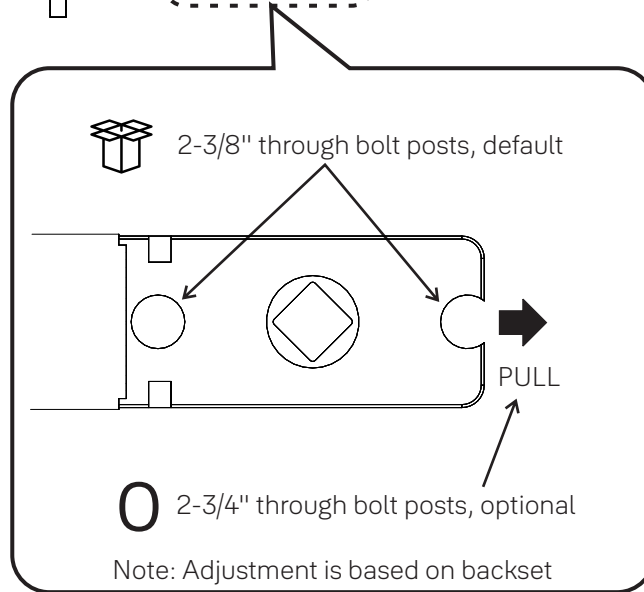


**x4**

Actual Size

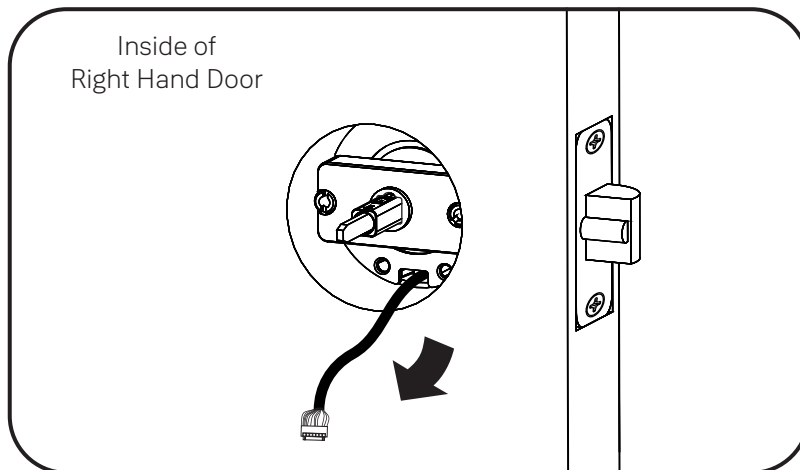
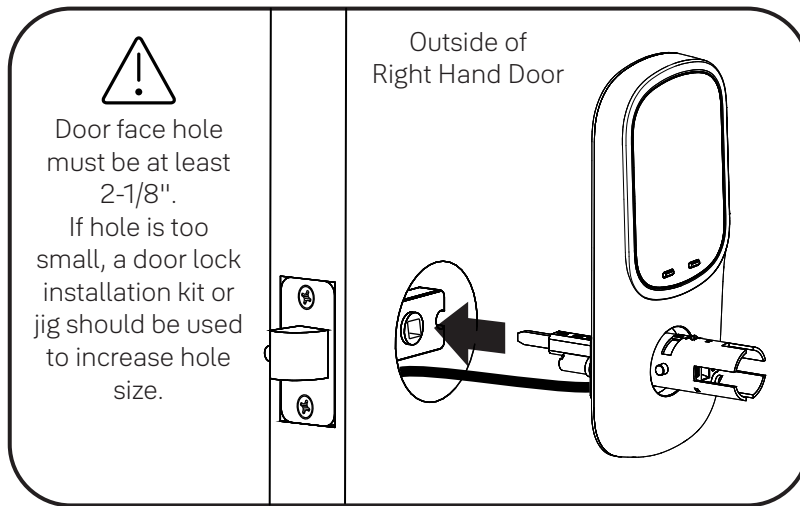
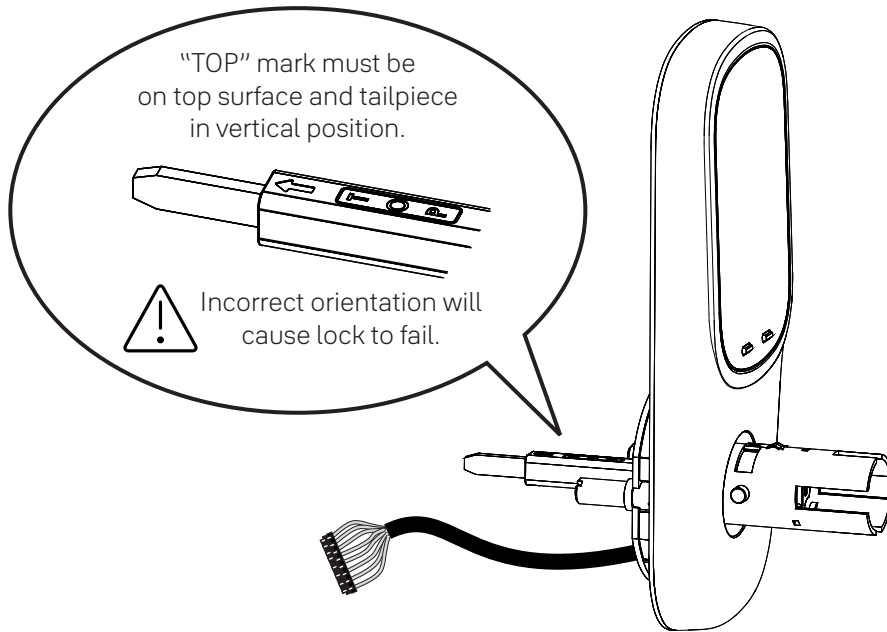


AYRL-DRIVE  
Adjustable Drive-In Latch  
available for purchase



# 4

## Install Touchscreen Keypad Right Hand Installation Shown



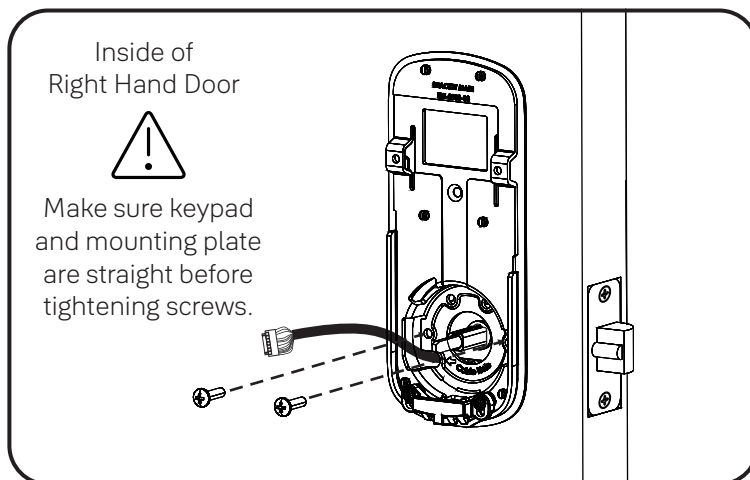
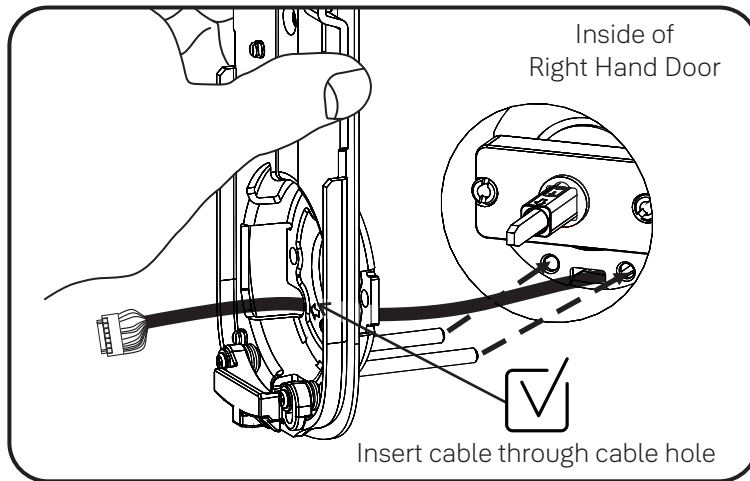
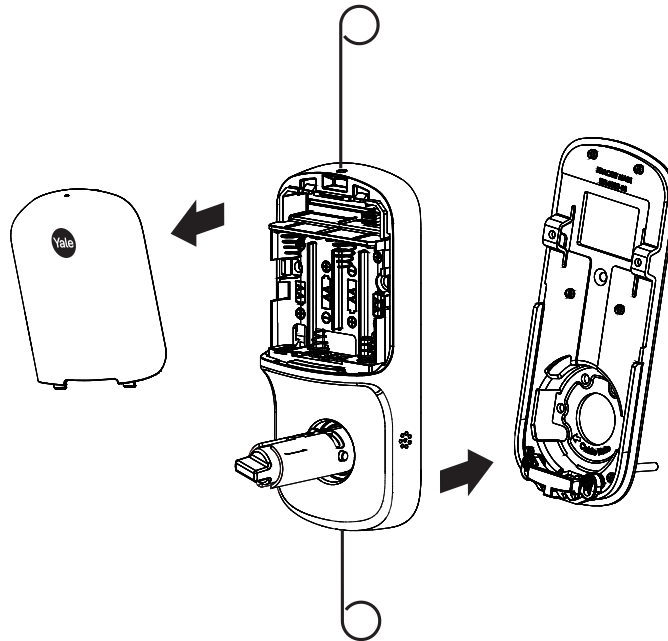
5

# Install Inside Mounting Plate Right Hand Installation Shown



x2

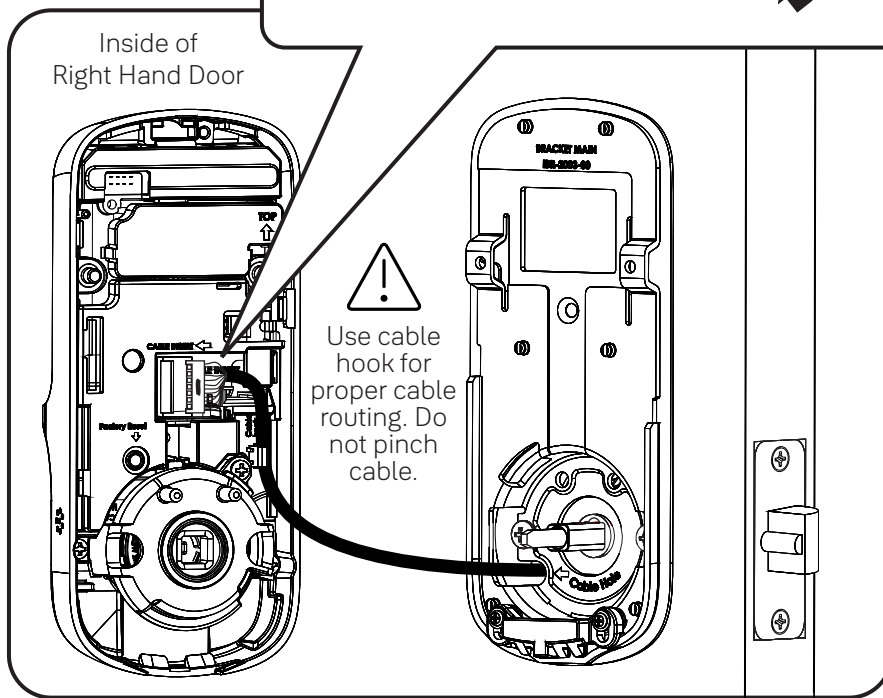
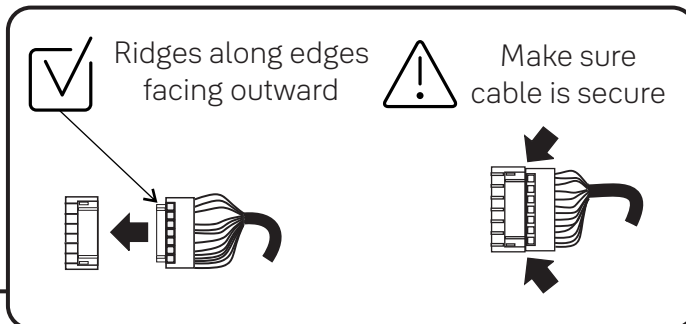
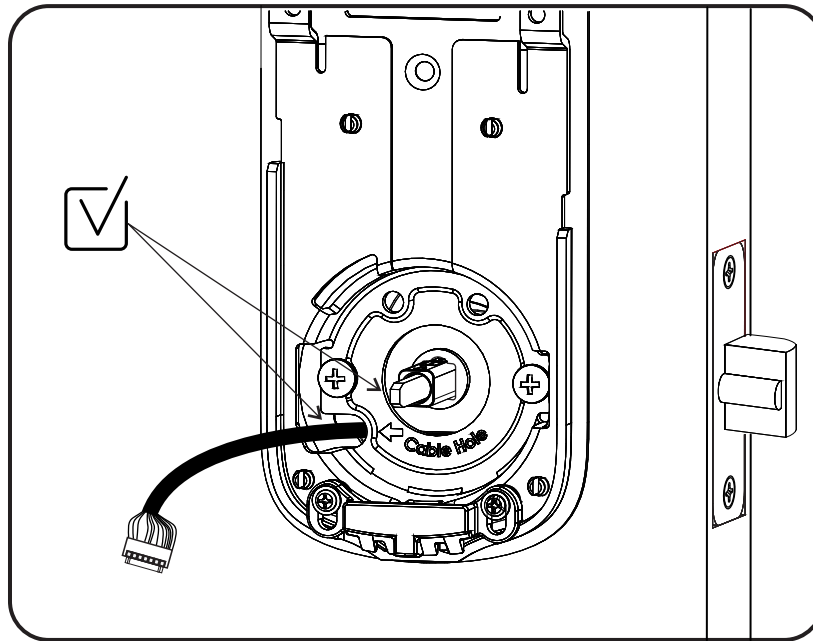
Actual Size



6

# Attach Cable

Right Hand Installation Shown





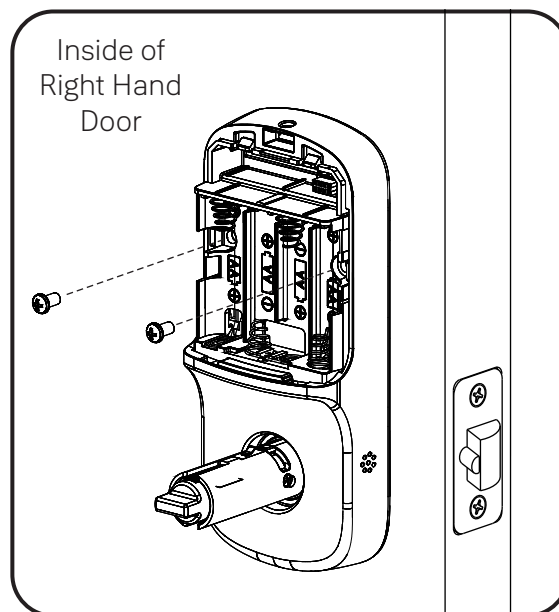
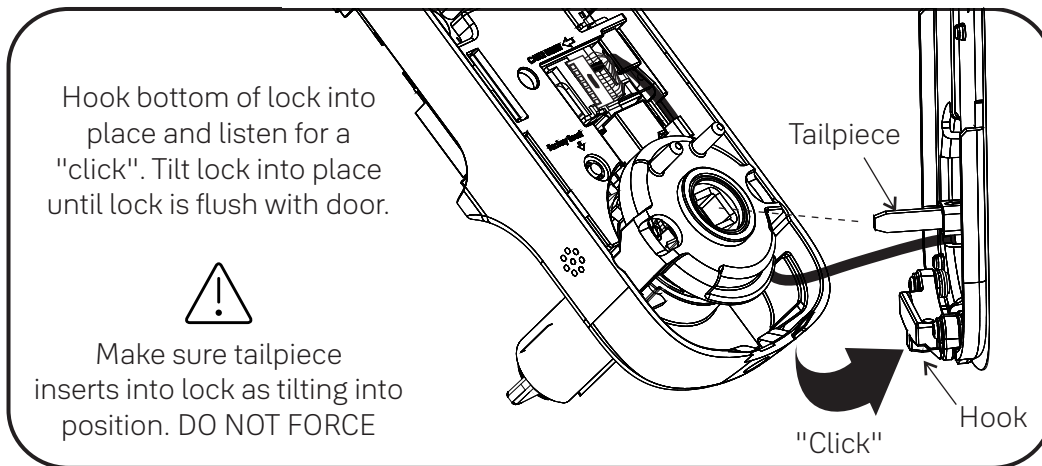
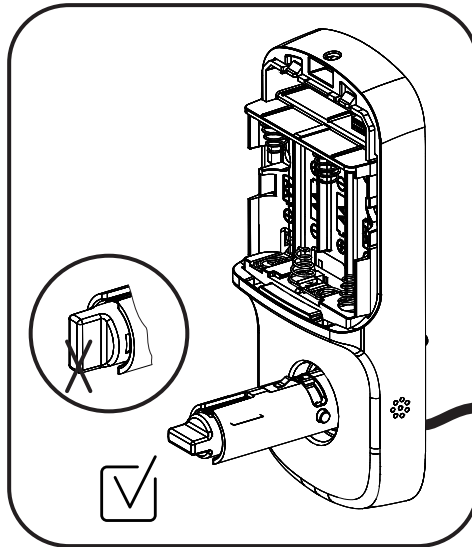
# 7

## Install Inside Lock Right Hand Installation Shown



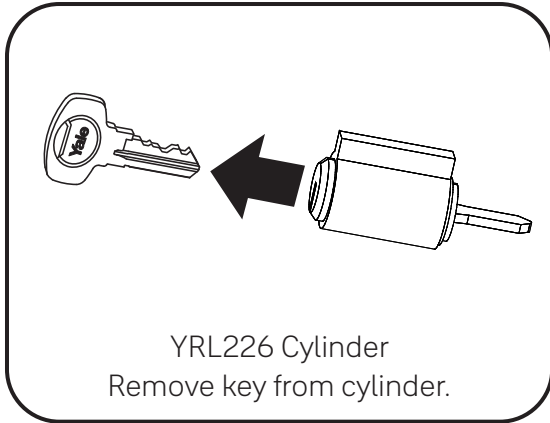
x2

Actual Size

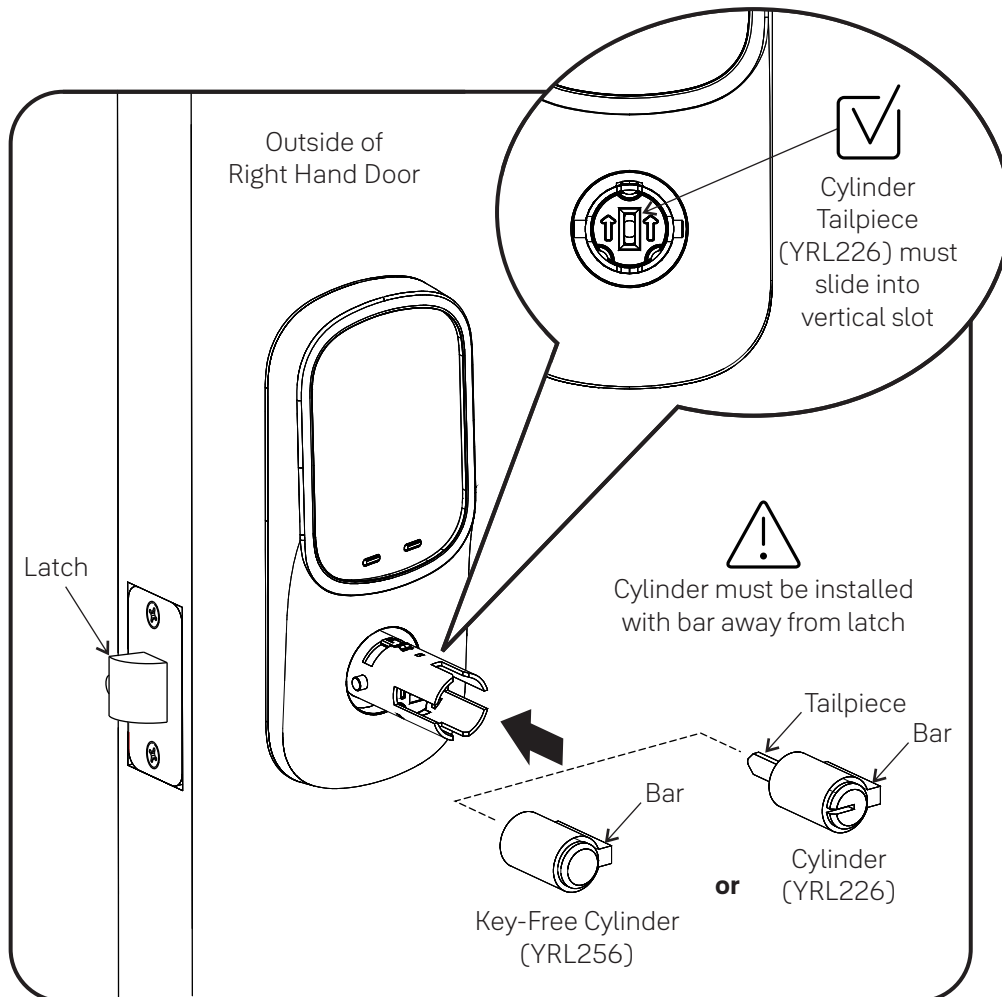


8

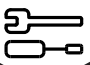
# Install Cylinder (YRL226) or Key-Free Cylinder (YRL256)



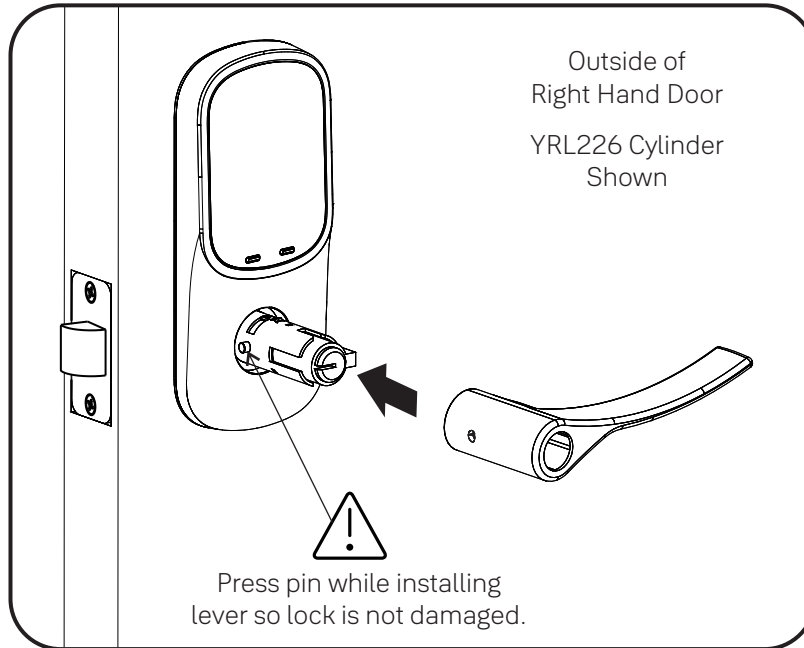
OR



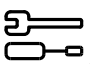
# 9



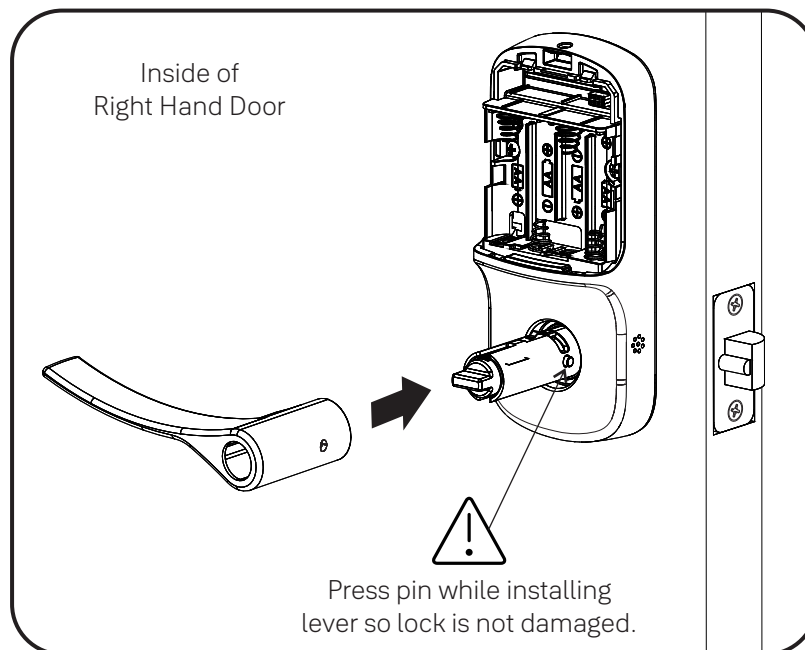
## Install Outside Lever



# 10

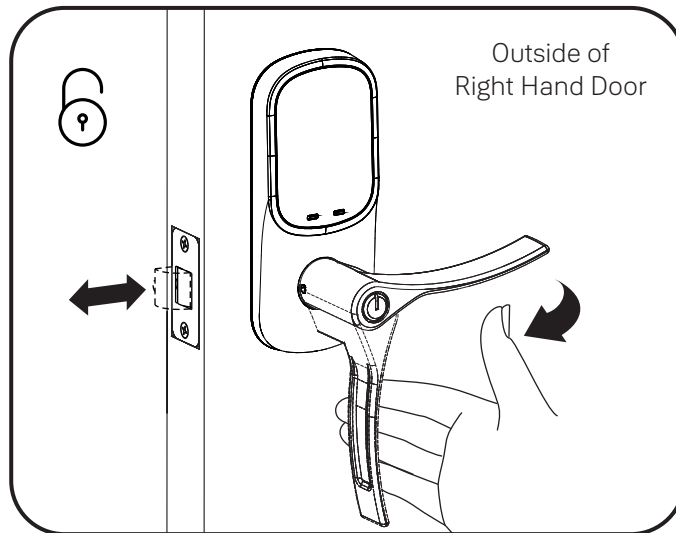
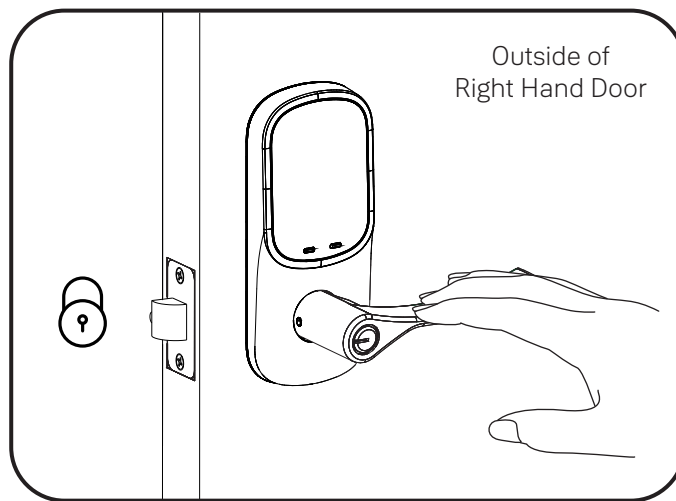
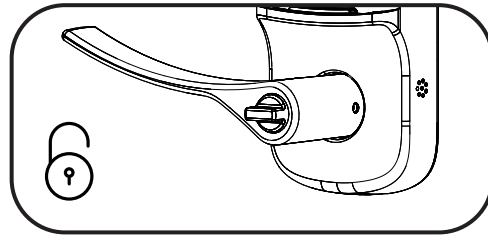
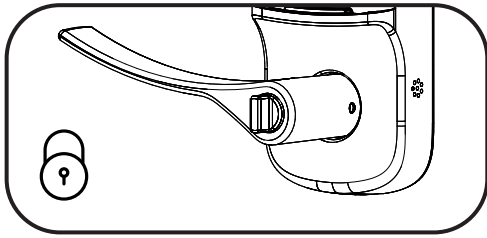


## Install Inside Lever





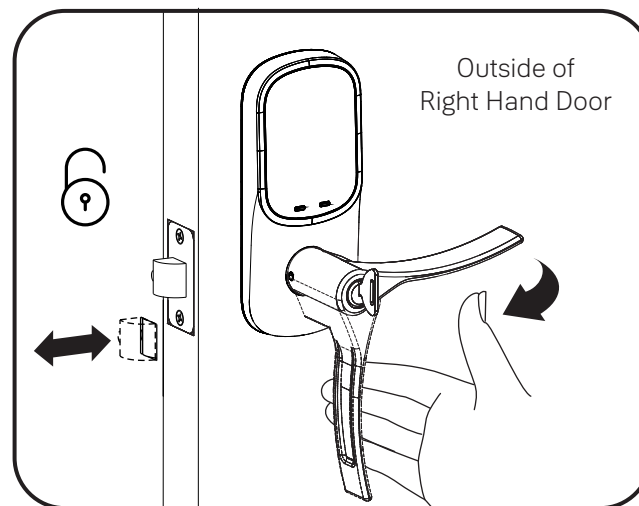
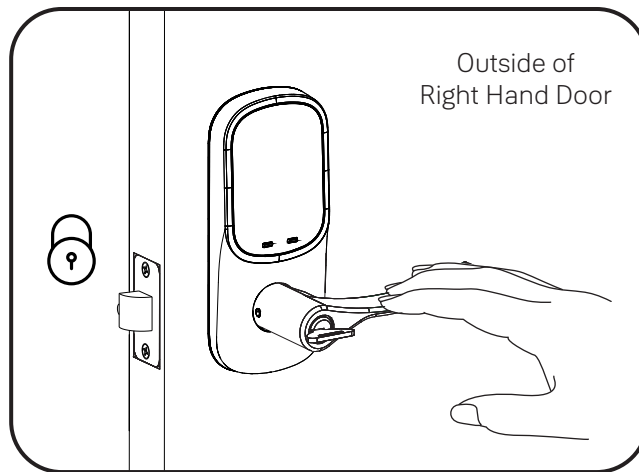
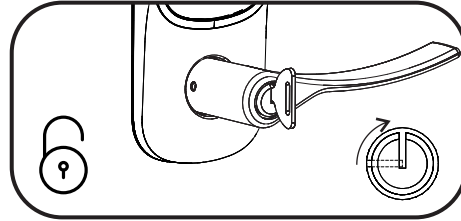
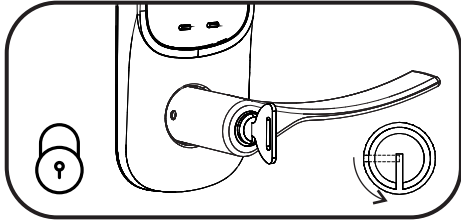
# Test Thumbturn Operation with Door Open



Test thumbturn and both levers in locked and unlocked positions. If operation fails, check installation beginning with Step 4 and refer to Hardware Troubleshooting.



# Test Key Operation with Door Open (YRL226)

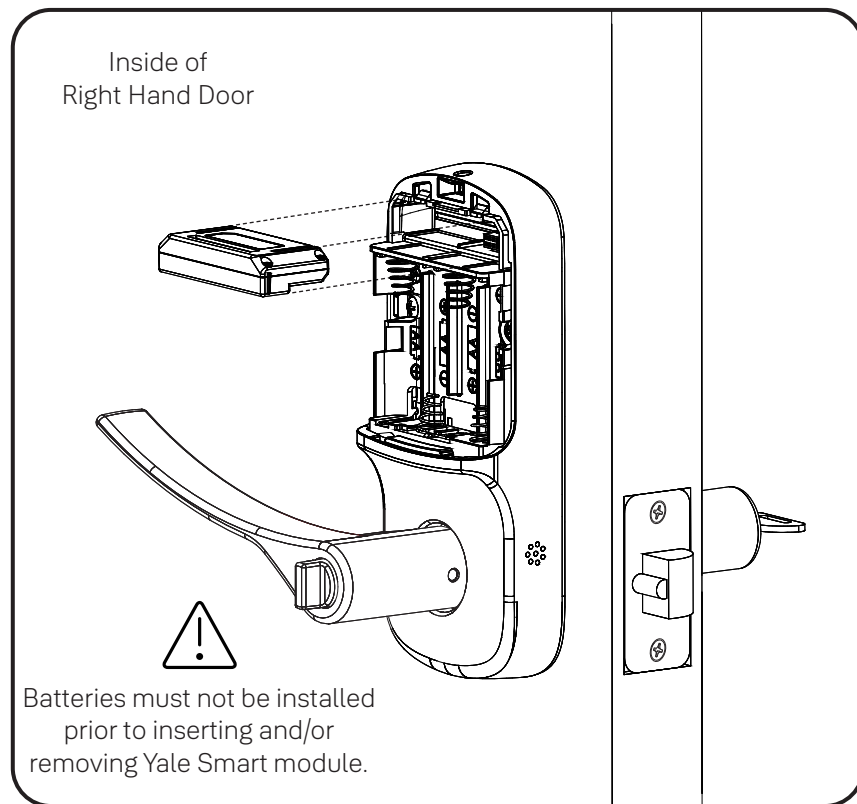


If key operation test fails, check installation beginning with Step 8.


# 11



## Install Yale Smart Module Not included with NR models

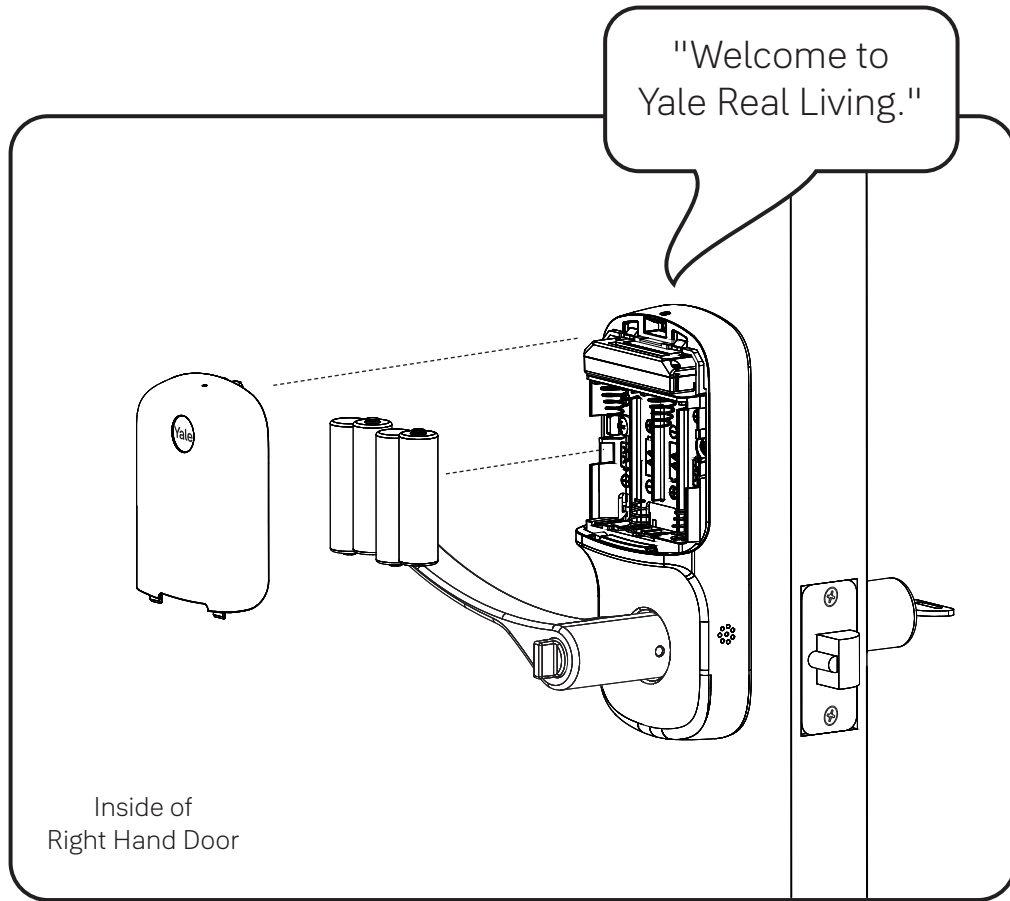


NOTE: If a Smart module was included with your lock, it is in a separate box with additional module installation instructions.

 For more information about Yale Smart modules and smart home features visit: [US.YaleHome.com/Smart](https://US.YaleHome.com/Smart)

# 12

## Install Batteries and Cover

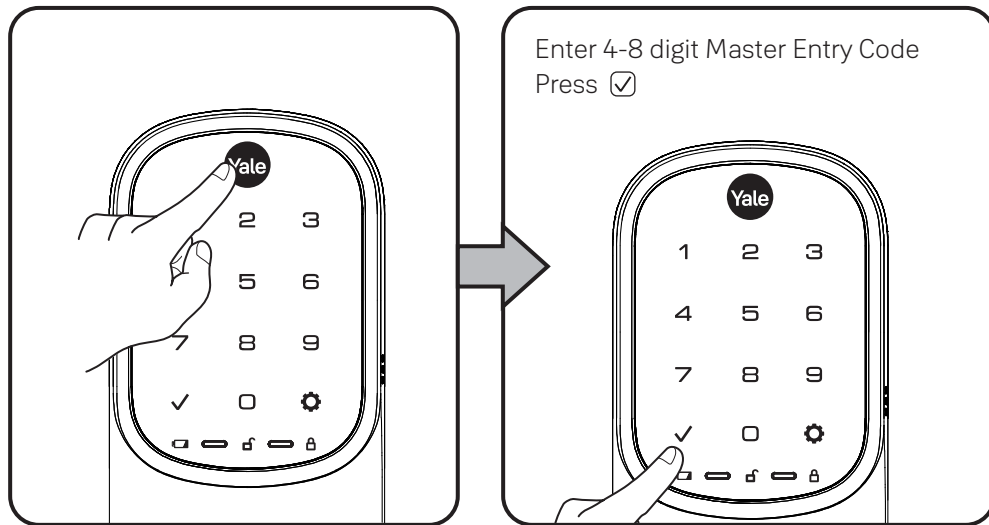


Congratulations, you've installed the Yale Assure Lever® Touchscreen (YRL226) or Key-Free Touchscreen (YRL256)! Using Your Lock instructions will help you customize your lock.

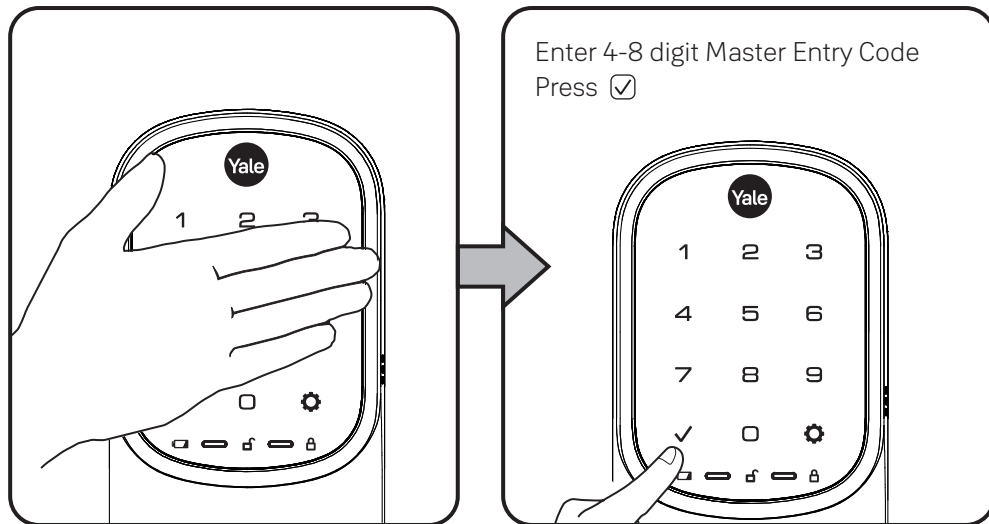


# Test Touchscreen Operation with Door Open

A Master Entry Code must be created upon installation or after resetting the lock to factory default. Programming and use of lock is not possible until this step has been successfully completed. See Using Your Lock instructions.



**OR**

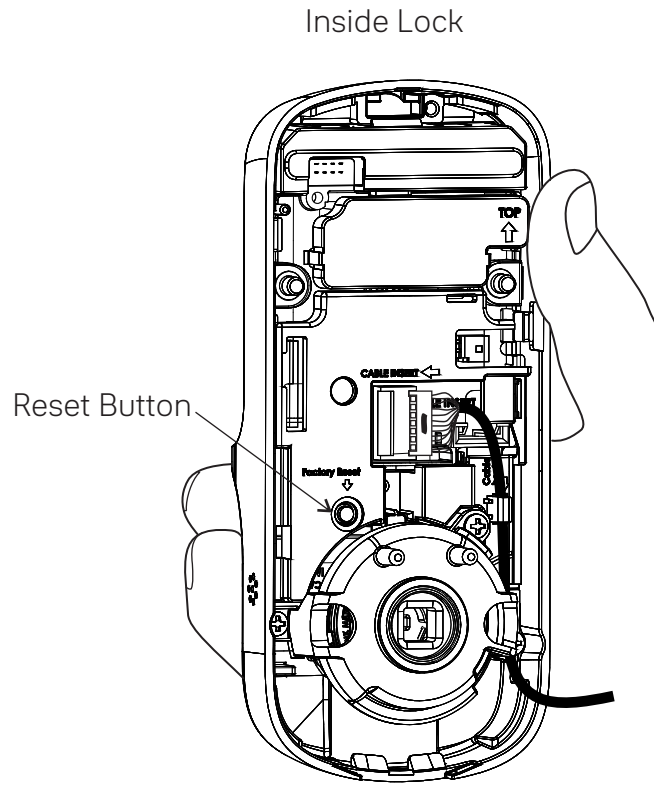


If touchscreen operation test fails, check installation beginning with Step 3





# Resetting Lock to Factory Defaults



When resetting the lock, all Entry Codes, including the Master Entry Code\*, are deleted. All programming features are reset to original default settings. See "Setting Definitions".

1. Remove the battery cover and batteries.
2. Remove the inside lock to access the reset button.
3. The reset button (see image above) is marked.
4. Re-insert 3 batteries and hold the reset button for 3 seconds.
5. While still holding the reset button, insert the 4th battery, and hold the reset button for an additional 3 seconds.
6. Release the reset button.
7. Re-install the inside lock onto the door.

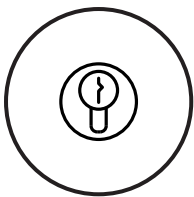
\*Upon reset, Master Entry Code creation is the only option available and must be performed prior to any other programming of the lock.



# Hardware Troubleshooting

Cycle lock in both the locked and unlocked positions. If problems are found:

Tailpiece and spindle will not mate and fit into the inside lock
a. Make sure that your door is between 1-3/8" and 1-3/4" thick b. Make sure that the square shaped spindle has "Top" writing and arrow facing upwards c. Place the tailpiece in the vertical position d. Verify that the thumbturn is in the horizontal (unlocked) position
Thumbturn does not rotate electronically or physically
a. Verify that inside of the lock is properly seated on the mounting bracket b. Make sure that the square shaped spindle has "Top" writing and arrow facing upwards c. Place the tailpiece in the vertical position d. Verify that the thumbturn is in the horizontal (unlocked) position
I'm getting an alert when I try to lock or unlock the door electronically
a. Do not turn or depress the lever during operation, this could cause a jam alarm b. Check that thumbturn does not have anything preventing it from physically rotating c. Verify that you can rotate thumbturn freely
My lock is not making any sound when I touch numbers or icons on the keypad
a. Use the programming tree in this manual to verify that Audio is enabled b. If Audio is enabled, make sure that the white cable that connects the keypad to the inside lock is not pinched or broken
When rotating the thumbturn I hear noise
a. A little bit of noise is normal when operating the thumbturn b. If cranking, grinding or clicking occurs please verify your installation
The locking pins will not retract when I try to install the levers
a. If the thumbturn is in vertical (locked) position, rotate the thumbturn to the horizontal (unlocked) position and it will retract



# Replacing Cylinder (YRL226)

1. To Remove Cylinder:  
See installation Steps 7 and 8. Reverse appropriate actions to remove the outside lever handle and cylinder.
2. To Install New Cylinder:
  - A. Follow appropriate actions of installation Steps 7 and 8 to replace the cylinder and outside lever handle.
  - B. Test operation of new cylinder and key by following "Testing Operation".



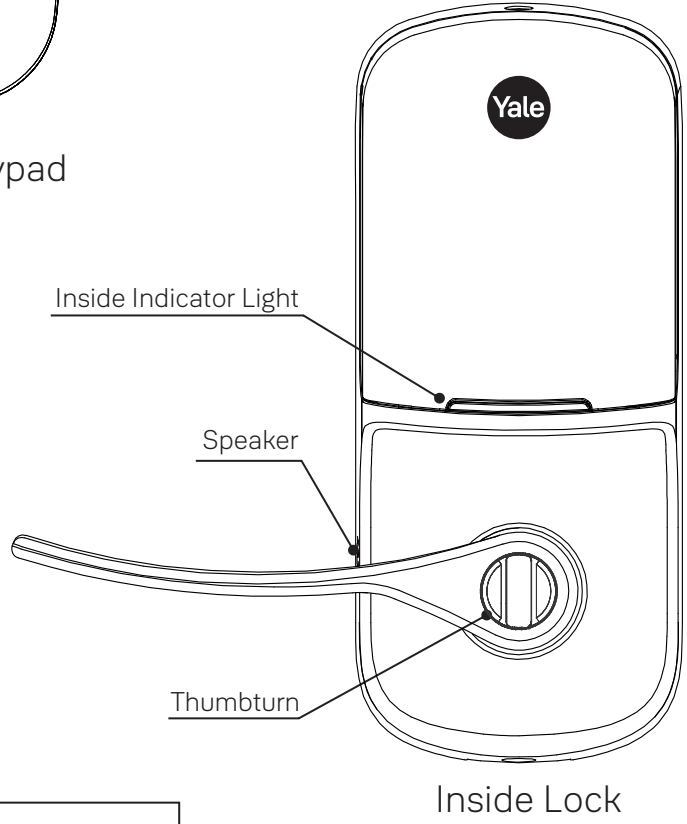
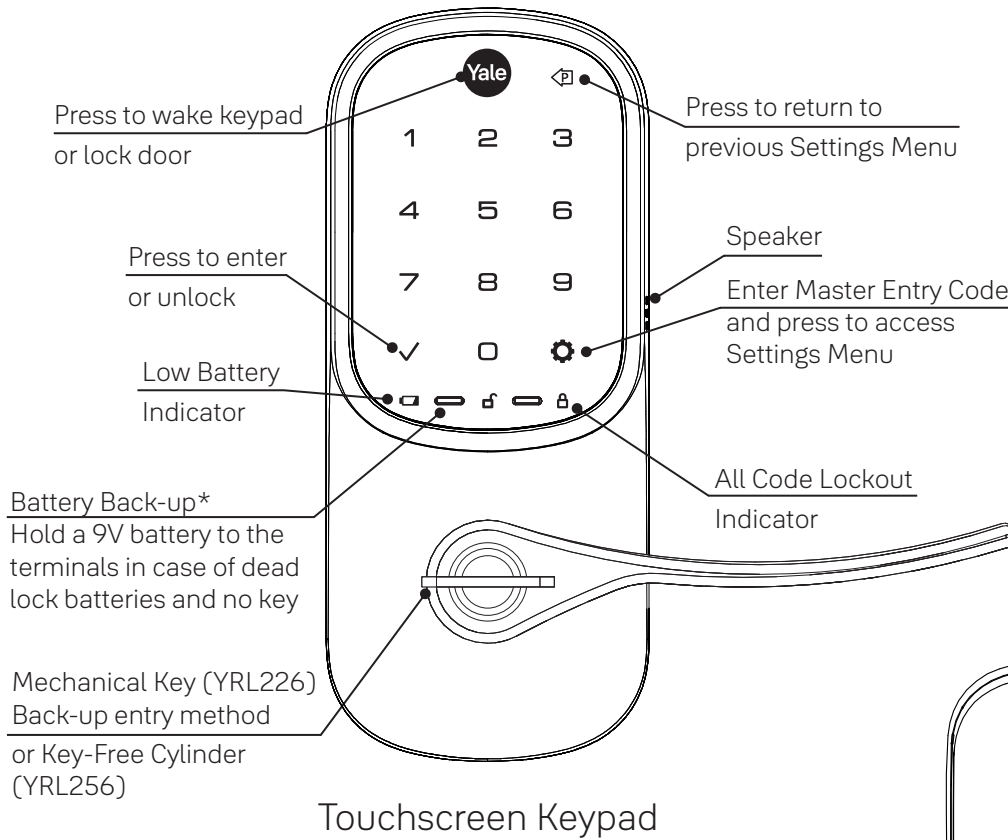
# Setting Definitions

Settings	Default Setting	Definition
Master Entry Code	Creation required*	The Master Entry Code is used for programming and for feature settings. It must be created prior to programming the lock. The Master Code will also operate (unlock/lock) the lock.
All Code Lockout	Disabled	This feature is enabled by the Master Entry Code. When enabled, it restricts all Entry Code access except Master. When attempting to enter a code while the lock is in All Code Lockout mode, the RED locked padlock will appear on the screen.
Auto Re-lock	Disabled	After a successful code entry or manual unlock with the key (YRL226), the lock will automatically re-lock after each unlock in an effort to keep your home secure. This feature is optional, and can be turned off. In the ON mode, the lock will automatically re-lock after thirty (30) seconds.
Inside Indicator Light	Disabled (Off)	Located on the interior lock. Shows active status (Locked) of lock and can be enabled or disabled in the Advanced Lock Settings (Main Menu selection #3).
Language	English	Choosing English (1), Spanish (2) or French (3) becomes the (default) setting for the lock voice prompts.
One Touch Locking	Enabled	When the latch is retracted, activating the touchscreen will extend the latch (during Auto Re-lock duration or when Auto Re-lock is disabled). When One-Touch Re-lock is not in use (disabled), any valid Entry Code will re-lock the lock.
Shutdown Time	60 Seconds	The lock will shutdown (flashing RED) for sixty (60) seconds and not allow operation after the Wrong Code Entry limit (5 attempts) has been met.
Volume	Enabled (Low)	The volume setting for Entry Code verification is set to Low (2) by default; otherwise it can be set to High (1) or Silent (3) for quiet areas.
Wrong Code Entry Limit	5 Times	After five (5) unsuccessful attempts at entering a valid Entry Code, the lock will shut down and not allow operation for sixty (60) seconds.

\*The Master Entry Code must be created prior to any other programming of the lock.

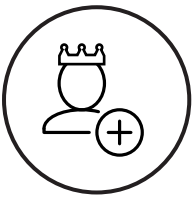


# Using Your Lock



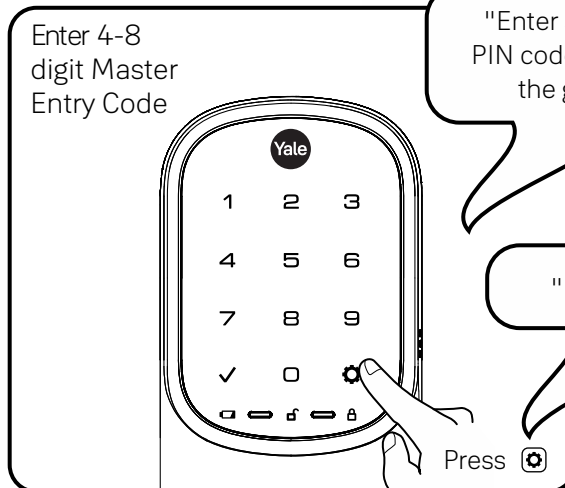
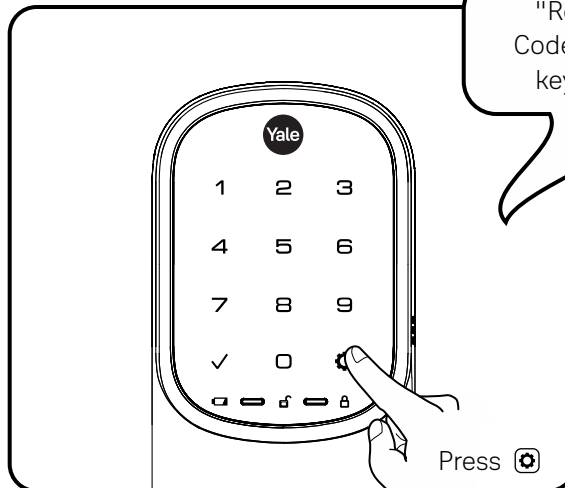
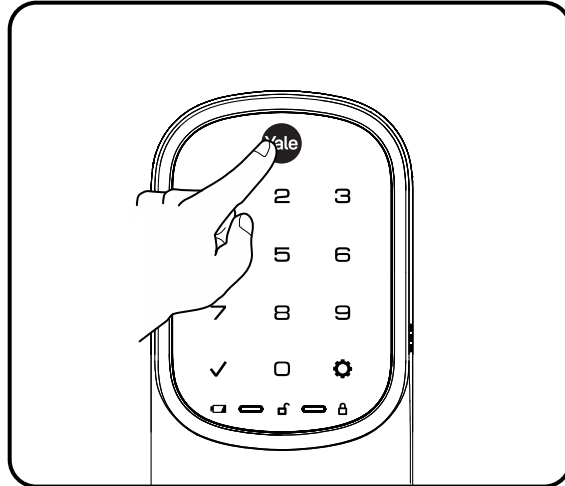
**\*NOTE TO INSTALLER AND CONSUMER**

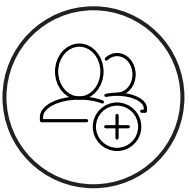
While Yale® has included several features to prevent lockout (9-Volt battery jumper, low battery warnings), it is still possible for a lockout situation to occur. Because the YRL256 does not have a key, Yale® recommends using YRL256 in an environment where there are additional entry points into dwelling.



# Creating Master Entry Code

The Master Entry Code is used to change lock settings.  
A security best practice is to set your Master Entry Code with 6 or more digits  
and create a separate code that is used daily to lock and unlock the door.

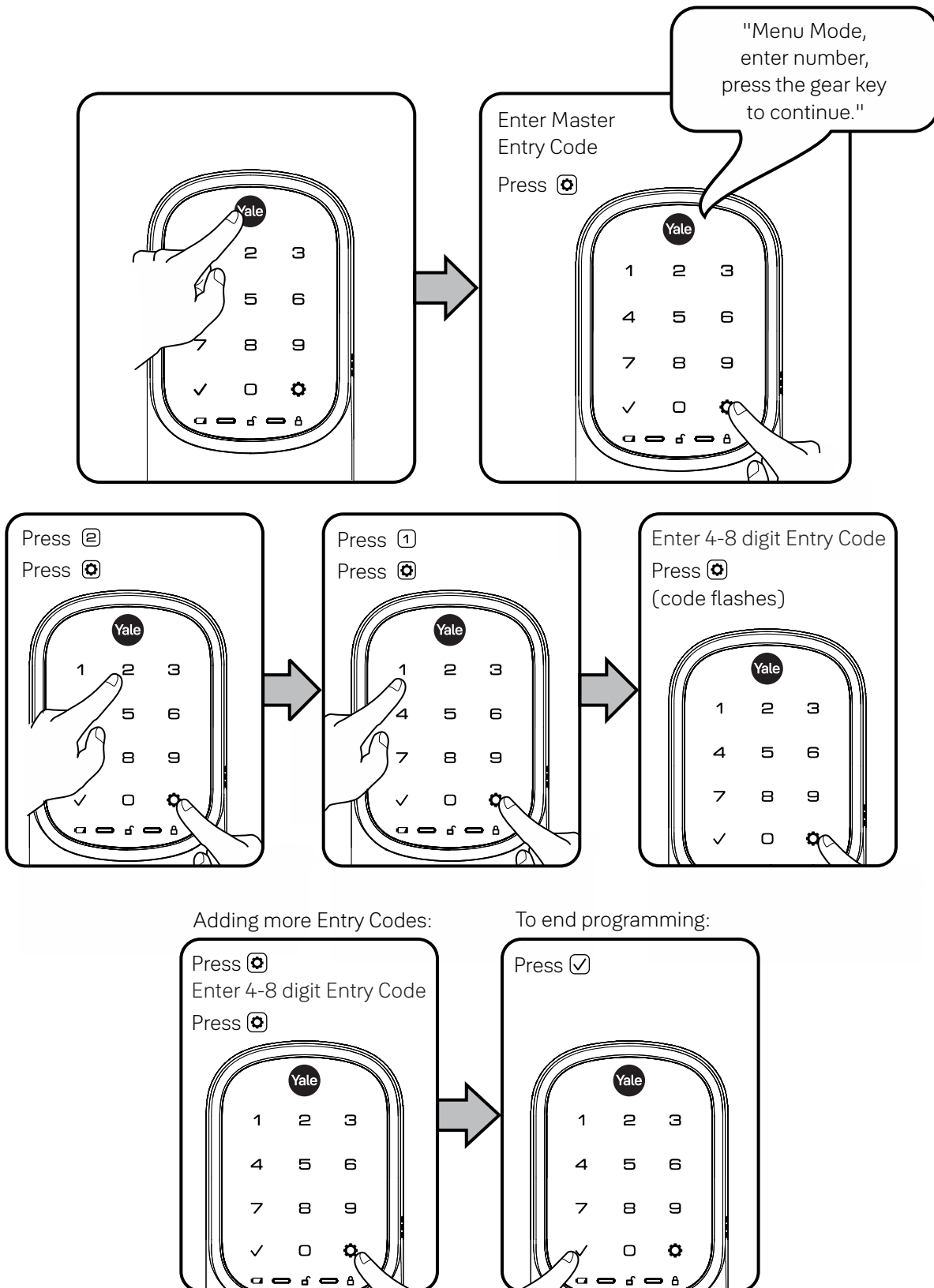


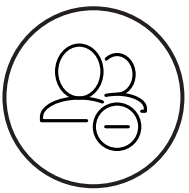


# Creating Entry Codes

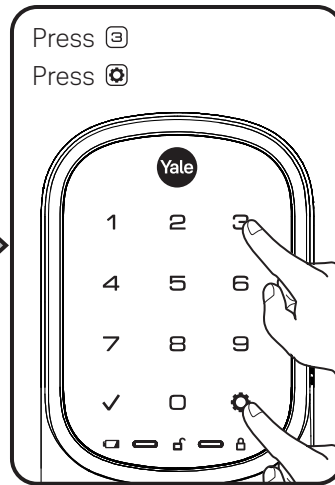
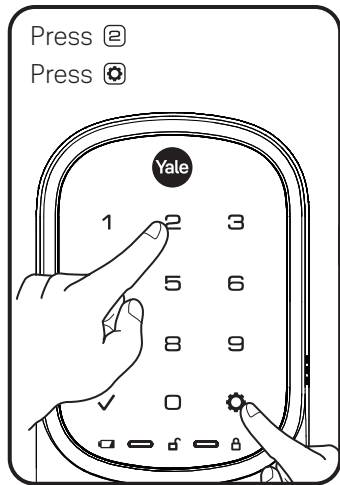
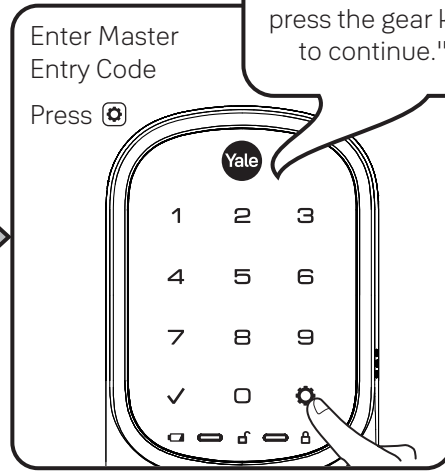
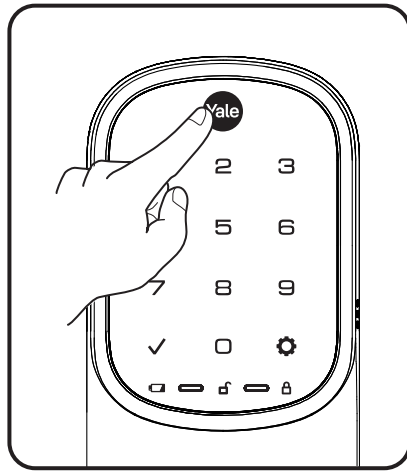
Master Entry Code must be created first.

\*Max Entry Codes = 250 with Smart Module; 25 without.





# Deleting Entry Codes



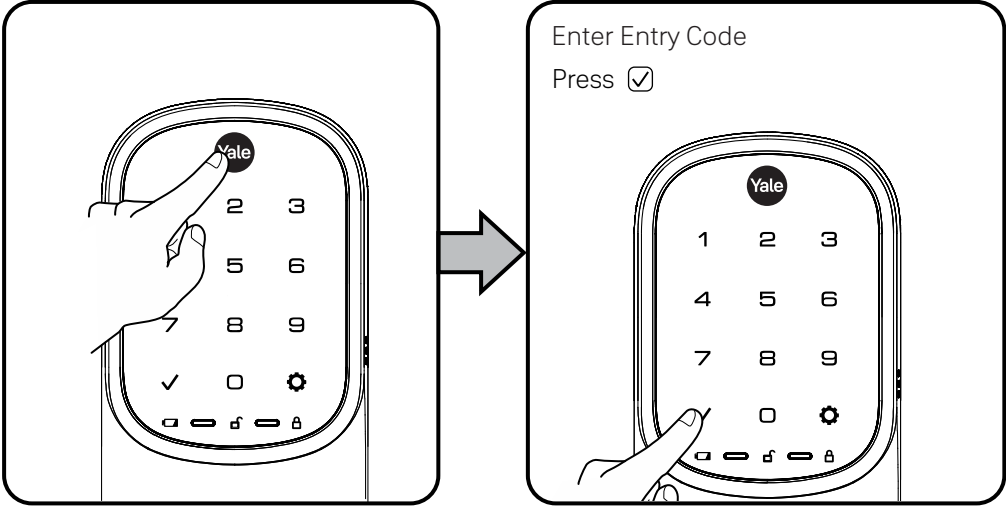
Deleting one Entry Code:  
To delete one Entry Code, you must enter the Entry Code you wish to delete.

To delete all Entry Codes  
(Does not delete Master Entry Code):





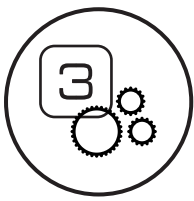
# Unlocking Door with Entry Codes






## Code Chart Duplicate if necessary

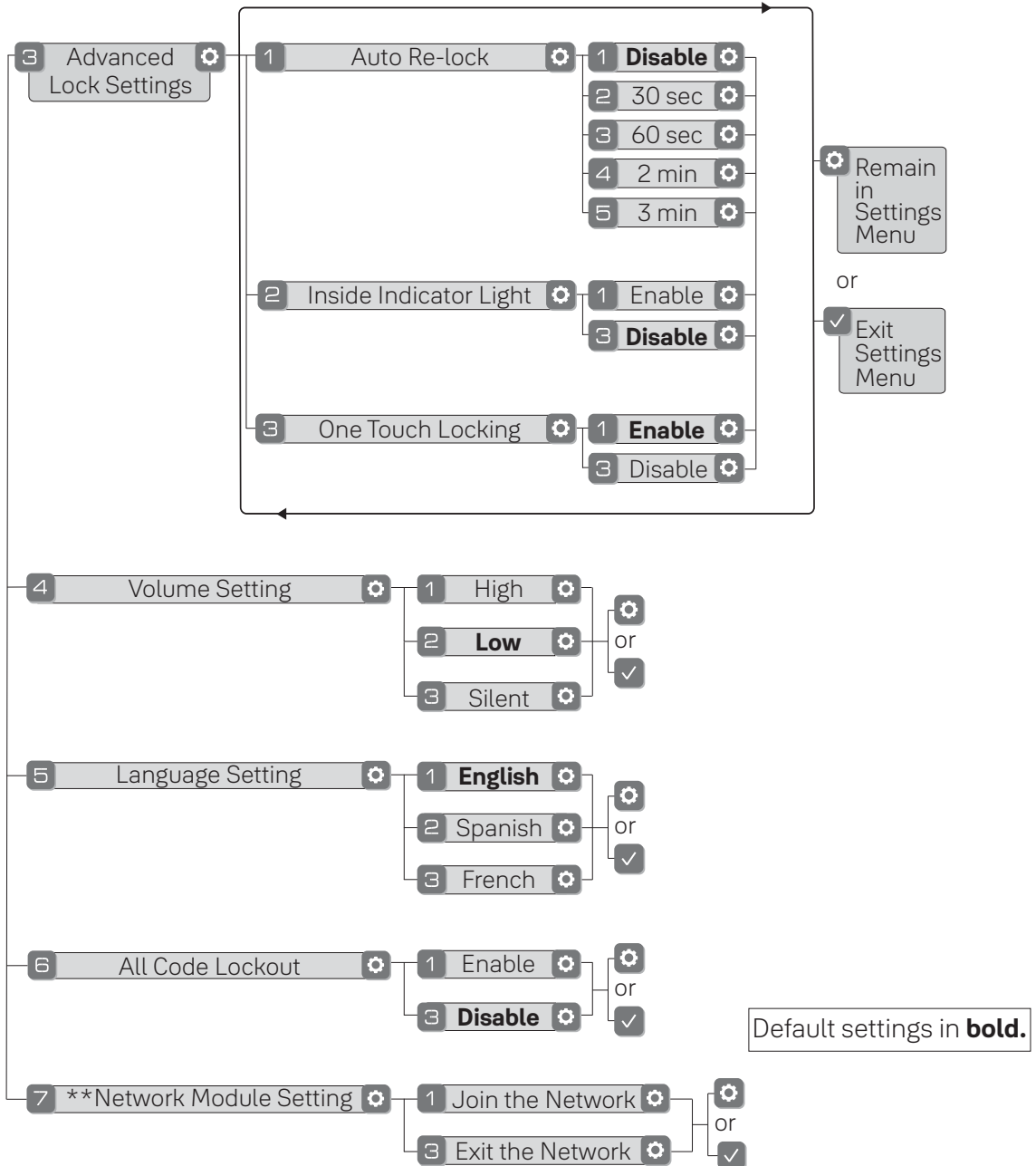
Entry Code Management	Entry Code
Master: Homeowner	
User Name: Babysitter	









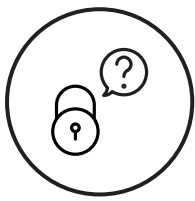
# Customizing Lock Using Settings Menu

1. Press Yale logo to wake up lock .
2. Enter Master Entry Code\* followed by  icon.  
Lock Response: "Welcome to the Settings Menu. Press each number to hear available settings and then press the settings icon to enter."
3. Enter digit corresponding to the function to be performed followed by the  icon. Follow the voice commands.









Here is an example of how to set Auto Lock to 30 seconds:  
 Master Entry Code , 3 , 1 , 2 ,

\*The Master Entry Code must be created prior to any other programming of the lock.  
 \*\*Network Module Setting function appears only with Yale Smart module installed.



# Troubleshooting

Symptom	Suggested Action
Lock does not respond – door is open and accessible.	<ul style="list-style-type: none"> <li>Keypad becomes active when the Yale logo is pressed. Verify contact with the logo.</li> <li>If keypad numbers are visible, check they respond when pressed.</li> <li>Check batteries are installed and oriented correctly (polarity) in battery case.</li> <li>Replace batteries* if batteries are dead.</li> <li>Check keypad cable is fully connected and not pinched.</li> </ul>
Lock does not respond – door is locked and inaccessible.	<ul style="list-style-type: none"> <li>Batteries may not have enough power. Replace batteries*.</li> <li>Apply a 9V battery to terminals below the keypad for backup power option.</li> </ul>
Lock is on for a while then shows no reaction. Lights dim.	<ul style="list-style-type: none"> <li>Batteries do not have enough power. Replace batteries*.</li> </ul>
Lock chimes indicating code acceptance, but door will not open.	<ul style="list-style-type: none"> <li>Check for any foreign objects between door and frame.</li> <li>Check that the cable is firmly connected to inside lock.</li> </ul>
Lock operates to allow access, but will not automatically re-lock.	<ul style="list-style-type: none"> <li>Check to see if Auto Re-lock is enabled.</li> <li>Disable Auto Re-lock to lock the door (manually).</li> </ul>
Entry Codes will not register.	<ul style="list-style-type: none"> <li>If low battery indicator is lit, change batteries*.</li> <li>Entry Codes must consist of 4 to 8 digits.</li> <li>The same Entry Code cannot be used for multiple users.</li> <li>Entry Codes are set by the Master Entry Code, which is set first. Contact the Master user.</li> <li>Entry Codes must be entered within 5 seconds (while keypad is active) or process will have to be restarted.</li> <li>Check  or gear  cannot be part of the Entry Code.</li> </ul>
Upon entering an Entry Code and pressing  key, the lock displays "invalid code" error or lock times out without responding.	<ul style="list-style-type: none"> <li>Verify entered code is a valid, previously programmed, 4 to 8 digit code.</li> <li>All Code Lockout is enabled. Only the Master Entry Code can change All Code Lockout. Contact the Master user.</li> </ul>
Upon entering an Entry Code and pressing the  key, red padlock icon appears and there are different tones.	<ul style="list-style-type: none"> <li>Check that All Code Lockout is disabled (see Feature #6). Only the Master Entry Code can change All Code Lockout. Contact the Master user.</li> </ul>
Lock operates, but makes no sound.	<ul style="list-style-type: none"> <li>Check that Volume is enabled (see Feature #4). Only the Master Entry Code can change Volume. Contact the Master user.</li> </ul>
Lock responds "Low Battery"	<ul style="list-style-type: none"> <li>This is the alert to replace the batteries. Replace all four (4) batteries* with new AA Alkaline batteries.</li> </ul>
Upon entering an Entry Code and pressing the  key, lock responds "Wrong number of digits".	<ul style="list-style-type: none"> <li>The digits entered were incorrect or incomplete. Re-enter the correct code followed by the  key.</li> </ul>
Lock shows an X on keypad after entering a code.	<ul style="list-style-type: none"> <li>Bolt failed to fully retract. Refer to "Hardware Troubleshooting".</li> <li>Entry Code has not been scheduled for use at time of day it is tried. Try Entry Code again during scheduled time.</li> </ul>
Deadbolt does not extend when locking the door with keypad.	<ul style="list-style-type: none"> <li>Lock was not handed properly. Rehand lock through Settings Menu.</li> </ul>

\* When batteries are replaced, Smart Module locks have a real time clock that will be set through the User Interface. It is recommended to verify correct date and time; particularly those locks operating under Daylight Savings Time.

**FCC:**

## Class B Equipment

This equipment has been tested and found to comply with the limits for a Class B digital device, pursuant to Part 15 of the FCC Rules. These limits are designed to provide reasonable protection against harmful interference in a residential installation. This equipment generates, uses, and can radiate radio frequency energy and, if not installed and used in accordance with the instructions, may cause harmful interference to radio communications. However, there is no guarantee that interference will not occur in a particular installation. If this equipment does cause harmful interference to radio or television reception, which can be determined by turning the equipment off and on, the user is encouraged to try to correct the interference by one or more of the following measures:

- Reorient or relocate the receiving antenna.
- Increase the separation between the equipment and receiver.
- Connect the equipment into an outlet on a circuit different from that to which the receiver is connected.
- Consult the dealer or an experienced radio/TV technician for help.

**Warning:** Changes or modifications to this device, not expressly approved by **Yale Home** could void the user's authority to operate the equipment.

**Industry Canada:**

This Class A digital apparatus meets all requirements of the Canadian Interference Causing Equipment Regulations.

Cet appareillage numérique de la classe A répond à toutes les exigences de l'interférence canadienne causant des règlements d'équipement.

## Yale Home

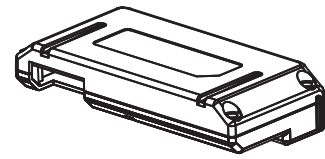
24/7 Product Support : 1-855-213-5841 • [US.YaleHome.com](http://US.YaleHome.com)

Yale® and Assure Lever® are registered trademarks of Yale Home. Other products' brand names may be trademarks or registered trademarks of their respective owners and are mentioned for reference purposes only. © Copyright 2021. All rights reserved. Reproduction in whole or in part without the express written permission of Yale Home is prohibited.



# Yale® Z-Wave® Plus Smart Module Installation Guide

Please use this procedure only when network primary controller is missing or otherwise inoperable.

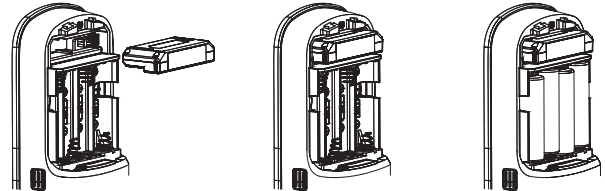


## Adding a Yale Z-Wave Plus Smart Module to your Assure Lock & Z-Wave System

1. Install the Yale Smart Module into the slot above the battery compartment

**IMPORTANT:** The batteries must be removed before removing the Yale Smart Module:

- Remove battery cover
- Remove batteries
- Insert or remove Yale Smart Module
- Reinstall batteries
- Reinstall battery cover



2. Open the Z-Wave system's smart home or alarm app on your smartphone or tablet

3. Follow the in-app instructions for adding a new device

4. On your lock keypad, enter your master entry code followed by the  icon

5. Press the 7 key followed by the  icon

6. Press the 1 key followed by the  icon

## Removing a Yale Z-Wave Plus Smart Module from your Assure Lock & Z-Wave System

1. On your lock keypad, enter your master entry code followed by the  icon

2. Press the 7 key followed by the  icon

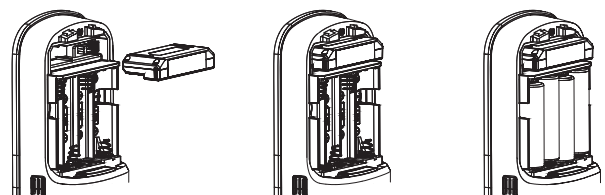
3. Press the 3 key followed by the  icon

4. Open the Z-Wave system's smart home or alarm app and follow the instructions for removing a device

5. Remove the Yale Smart Module from the slot above the battery compartment

**IMPORTANT:** The batteries must be removed before removing the Yale Smart Module:

- Remove battery cover
- Remove batteries
- Insert or remove Yale Smart Module
- Reinstall batteries
- Reinstall battery cover



6. If you're adding a new Yale Smart Module, follow the instructions included with it



**WARNING:** Changes or modifications to this device, not expressly approved by Yale Home could void the user's authority to operate the equipment.

This device is a security enabled Z-Wave Plus product that is able to use encrypted Z-Wave Plus messages to communicate to other security enabled Z-Wave Plus products. This device must be used in conjunction with a Security Enabled Z-Wave Controller in order to fully utilize all implemented functions. This product can be operated in any Z-Wave network with other Z-Wave certified devices from other manufacturers. All non-battery operated nodes within the network will act as repeaters regardless of vendor to increase reliability of the network.

**FCC:**

Contain FCC ID: U4A-YRHCPZW0FM

Model: YRMZW2-US

This equipment has been tested and found to comply with the limits for a Class B digital device, pursuant to Part 15 of the FCC Rules. These limits are designed to provide reasonable protection against harmful interference in a residential installation. This equipment generates, uses, and can radiate radio frequency energy and, if not installed and used in accordance with the instructions, may cause harmful interference to radio communications. However, there is no guarantee that interference will not occur in a particular installation. If this equipment does cause harmful interference to radio or television reception, which can be determined by turning the equipment off and on, the user is encouraged to try to correct the interference by one or more of the following measures:

- Reorient or relocate the receiving antenna.
- Increase the separation between the equipment and receiver.
- Connect the equipment into an outlet on a circuit different from that to which the receiver is connected.
- Consult the dealer or an experienced radio/TV technician for help.

THIS DEVICE COMPLIES WITH PART 15 OF THE FCC RULES. OPERATION IS SUBJECT TO THE FOLLOWING TWO CONDITIONS.

(1) THIS DEVICE MAY NOT CAUSE HARMFUL INTERFERENCE, AND (2) THIS DEVICE MUST ACCEPT ANY INTERFERENCE RECEIVED, INCLUDING INTERFERENCE THAT MAY CAUSE UNDESIRE OPERATION.

**Industry Canada:**

Contain IC: 6982A-YRHCPZW0FM

Model: YRMZW2-US

Section 7.1.2 of RSS-GEN Under Industry Canada regulations, this radio transmitter may only operate using an antenna of a type and maximum (or lesser) gain approved for the transmitter by Industry Canada. To reduce potential radio interference to other users, the antenna type and its gain should be so chosen that the equivalent isotropically radiated power (e.i.r.p.) is not more than that necessary for successful communication.

En vertu des règlements d'Industrie Canada, cet émetteur radio ne peut fonctionner avec une antenne d'un type et un maximum (ou moins) approuvés pour gagner de l'émetteur par Industrie Canada. Pour réduire le risque d'interférence aux autres utilisateurs, le type d'antenne et son gain doivent être choisis de façon que la puissance isotrope rayonnée équivalente (PIRE) ne dépasse pas ce qui est nécessaire pour une communication réussie.

Section 7.1.3 of RSS-GEN This Device complies with Industry Canada License-exempt RSS standard(s). Operation is subject to the following two conditions: 1) this device may not cause interference, and 2) this device must accept any interference, including interference that may cause undesired operation of the device.

Cet appareil est conforme avec Industrie Canada RSS standard exemptes de licence(s). Son fonctionnement est soumis aux deux conditions suivantes: 1) ce dispositif ne peut causer des interférences, et 2) cet appareil doit accepter toute interférence, y compris les interférences qui peuvent causer un mauvais fonctionnement du dispositif.

This radio transmitter 6982A-YRHCPZW0FM has been approved by Industry Canada to operate with the antenna types listed below with the maximum permissible gain indicated. Antenna types not included in this list, having a gain greater than the maximum gain indicated for that type, are strictly prohibited for use with this device.

Le présent émetteur radio 6982A-YRHCPZW0FM a été approuvé par Industrie Canada pour fonctionner avec les types d'antenne énumérés ci-dessous et ayant un gain admissible maximal. Les types d'antenne non inclus dans cette liste, et dont le gain est supérieur au gain maximal indiqué, sont strictement interdits pour l'exploitation de l'émetteur.

CAN ICES-3B/NMB-3B

## Yale Home

24/7 Tech Support : 1-855-492-0505 • [www.US.YaleHome.com](http://www.US.YaleHome.com)

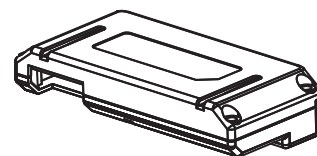
Yale® is a registered trademark of Yale Home. Other products' brand names may be trademarks or registered trademarks of their respective owners and are mentioned for reference purposes only. © Copyright 2020. All rights reserved.

Reproduction in whole or in part without the express written permission of Yale Home is prohibited.



# Yale® ZigBee® 3.0 Smart Module Installation Guide

Please use this procedure only when network primary controller is missing or otherwise inoperable.

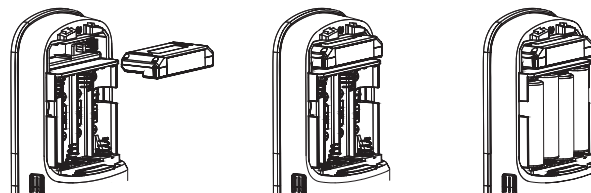


## Adding a Yale ZigBee Smart Module to your Assure Lock & ZigBee System

1. Install the Yale Smart Module into the slot above the battery compartment

**IMPORTANT:** The batteries **must** be removed before removing the Yale Smart Module:

- Remove battery cover
- Remove batteries
- Insert or remove Yale Smart Module
- Reinstall batteries
- Reinstall battery cover




2. Open the ZigBee system's smart home or alarm app on your smartphone or tablet

3. Follow the in-app instructions for adding a new device

4. Scan the Install Code (at right) when instructed by the app

**INSTALL CODE**

5. On your lock keypad, enter your master entry code followed by the  icon

6. Press the 7 key followed by the  icon

7. Press the 1 key followed by the  icon

## Removing a Yale ZigBee Smart Module from your Assure Lock & ZigBee System

1. On your lock keypad, enter your master entry code followed by the  icon

2. Press the 7 key followed by the  icon

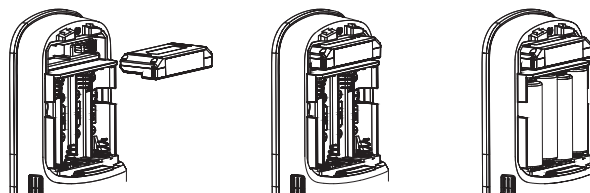
3. Press the 3 key followed by the  icon

4. Open the ZigBee system's smart home or alarm app and follow the instructions for removing a device

5. Remove the Yale Smart Module from the slot above the battery compartment

**IMPORTANT:** The batteries **must** be removed before removing the Yale Smart Module:

- Remove battery cover
- Remove batteries
- Insert or remove Yale Smart Module
- Reinstall batteries
- Reinstall battery cover



6. If you're adding a new Yale Smart Module, follow the instructions included with it



**WARNING:** Changes or modifications to this device, not expressly approved by Yale Home could void the user's authority to operate the equipment.

This device is a security enabled Zigbee product that is able to use encrypted Zigbee messages to communicate to other security enabled Zigbee products. This device must be used in conjunction with a Security Enabled Zigbee Controller in order to fully utilize all implemented functions. This product can be operated in any Zigbee network with other Zigbee certified devices from other manufacturers. All non-battery operated nodes within the network will act as repeaters regardless of vendor to increase reliability of the network.

**FCC:**

FCC ID: U4A-YRHCPZB0FM

Model: YRMZB2

This equipment has been tested and found to comply with the limits for a Class B digital device, pursuant to Part 15 of the FCC Rules. These limits are designed to provide reasonable protection against harmful interference in a residential installation. This equipment generates, uses, and can radiate radio frequency energy and, if not installed and used in accordance with the instructions, may cause harmful interference to radio communications. However, there is no guarantee that interference will not occur in a particular installation. If this equipment does cause harmful interference to radio or television reception, which can be determined by turning the equipment off and on, the user is encouraged to try to correct the interference by one or more of the following measures:

- Reorient or relocate the receiving antenna.
- Increase the separation between the equipment and receiver.
- Connect the equipment into an outlet on a circuit different from that to which the receiver is connected.
- Consult the dealer or an experienced radio/TV technician for help.

This equipment complies with FCC radiation exposure limits set forth for an uncontrolled environment. This equipment should be installed and operated with minimum distance 20cm between the radiator and your body. This transmitter must not be co-located or operating in conjunction with any other antenna or transmitter.

This device complies with Part 15 of the FCC rules. Operation is subject to the following two conditions: (1) This device may not cause harmful interference, and (2) this device must accept any interference received, including interference that may cause undesired operation. Any changes or modifications not expressly approved by manufacturer could void the user's authority to operate the equipment.

**IMPORTANT!** Any changes or modifications not expressly approved by the party responsible for compliance could void the user's authority to operate this equipment.

**Industry Canada:**

IC: 6982A-YRHCPZB0FM

Model: YRMZB2

This Device complies with Industry Canada License-exempt RSS standard(s). Operation is subject to the following two conditions: 1) this device may not cause interference, and 2) this device must accept any interference, including interference that may cause undesired operation of the device.

Le présent appareil est conforme aux CNR d'Industrie Canada applicables aux appareils radio exempts de licence.

L'exploitation est autorisée aux deux conditions suivantes: (1) l'appareil ne doit pas produire de brouillage, et (2) l'utilisateur de l'appareil doit accepter tout brouillage radioélectrique subi, même si le brouillage est susceptible d'en compromettre le fonctionnement.

**Important Note:**

**Radiation Exposure Statement:**

This equipment complies with IC radiation exposure limits set forth for an uncontrolled environment. This equipment should be installed and operated with minimum distance 20cm between the radiator and your body.

Note Importante: (Pour l'utilisation de dispositifs mobiles)

**Declaration d'exposition aux radiations:**

Cet équipement est conforme aux limites d'exposition aux rayonnements IC établies pour un environnement non contrôlé. Cet équipement doit être installé et utilisé avec un minimum de 20 cm de distance entre la source de rayonnement et votre corps.

**IMPORTANT!** Any changes or modifications not expressly approved by the party responsible for compliance could void the user's authority to operate this equipment.

**IMPORTANT!** Tous les changements ou modifications pas expressément approuvés par la partie responsable de la conformité ont pu vider l'autorité de l'utilisateur pour actionner cet équipement.

CAN ICES-3B/NMB-3B

## Yale Home

24/7 Tech Support : 1-855-492-0505 • [www.US.YaleHome.com](http://www.US.YaleHome.com)

Yale® is a registered trademark of Yale Home. Other products' brand names may be trademarks or registered trademarks of their respective owners and are mentioned for reference purposes only. © Copyright 2020. All rights reserved.

Reproduction in whole or in part without the express written permission of Yale Home is prohibited.